



# Assembly Instruction

**ITEM NO: 9405BR-LRPW**

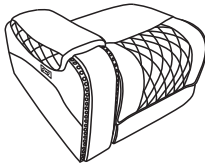




**POWER LEFT SIDE RECLINING CHAIR WITH USB PORT**



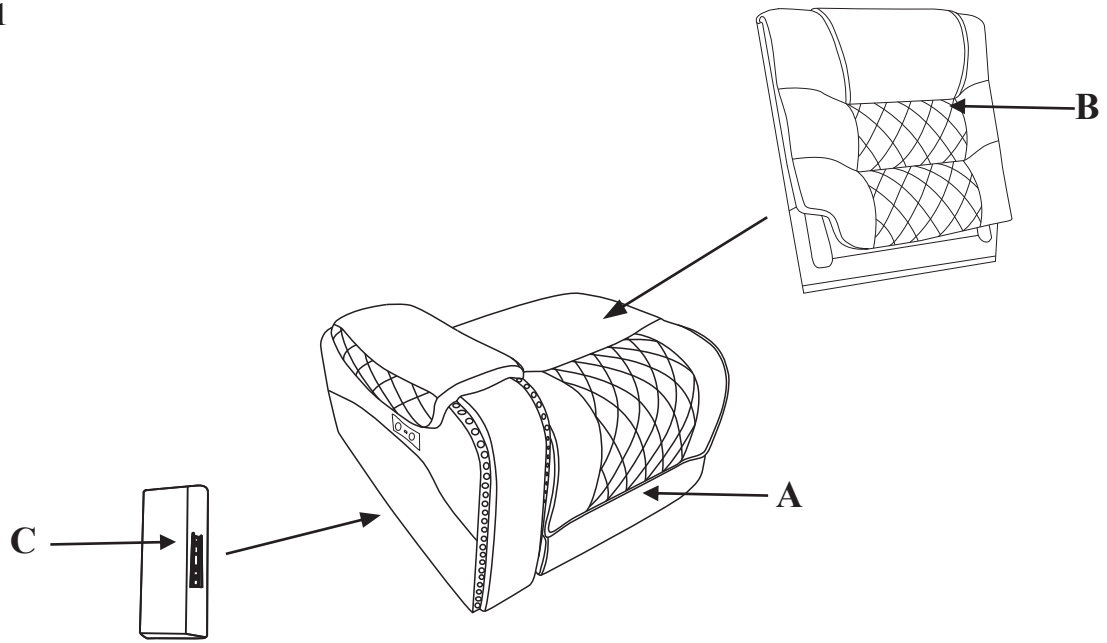
The parts stored in the bottom of the chair, please take out for assembly.

**NOTE: Do not use power tools for assembly. Power tools increase the risk of over tightening which leads to splitting or cracking the wood.**

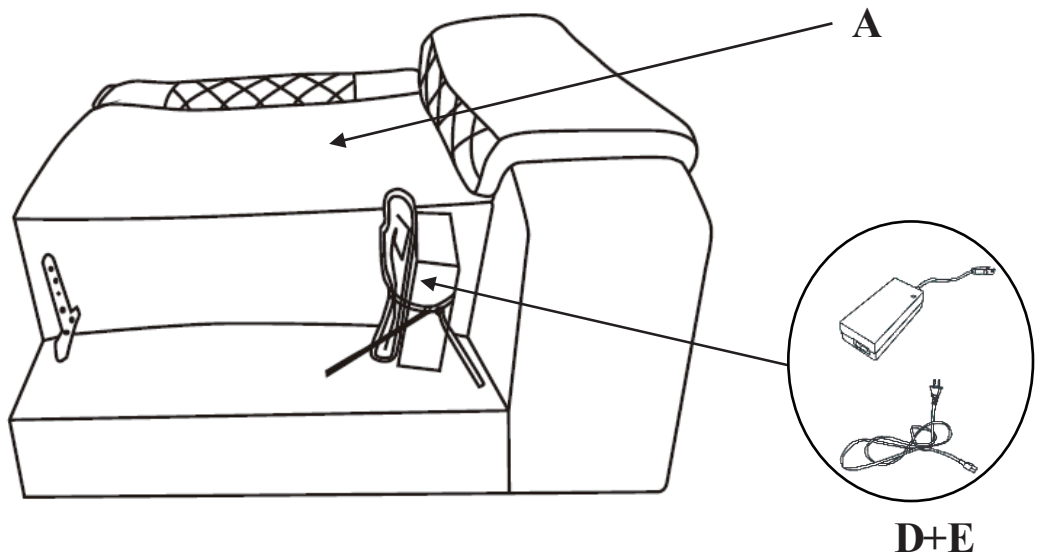
## COMPONENT LIST

NO.	DRAWING	QTY	DESCRIPTION
A		1	SEAT
B		1	BACK REST
C		1	LEFT EAR
D		1	ADAPTOR
E		1	PLUG WITH WIRE

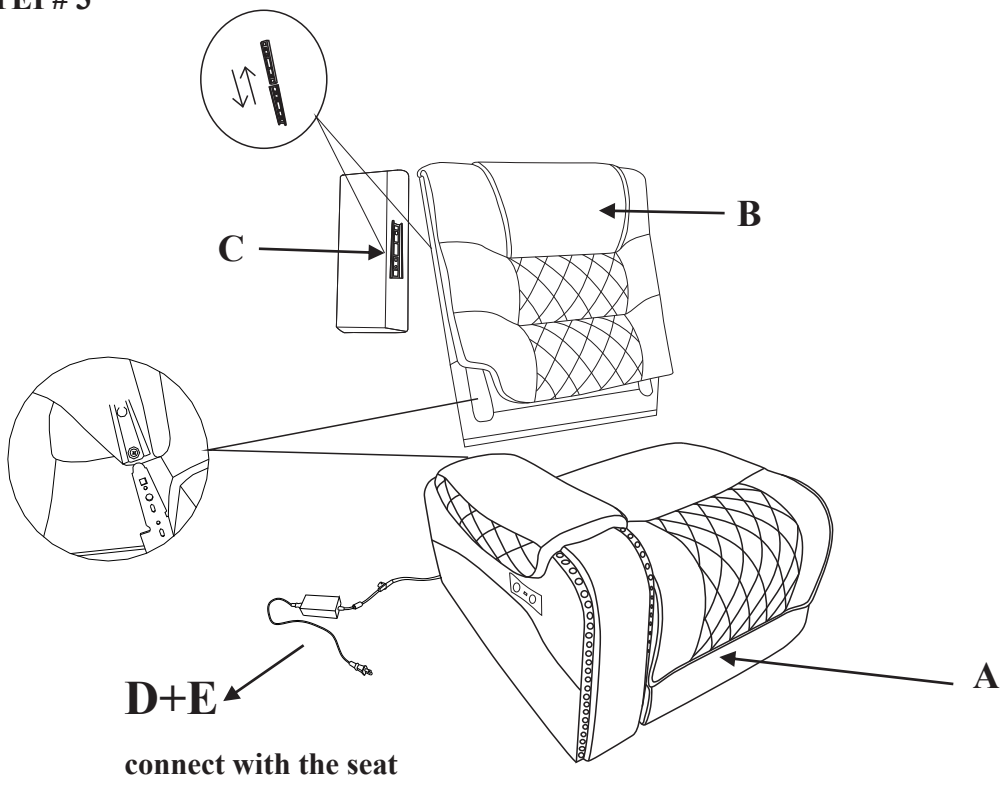
**STEP# 1**



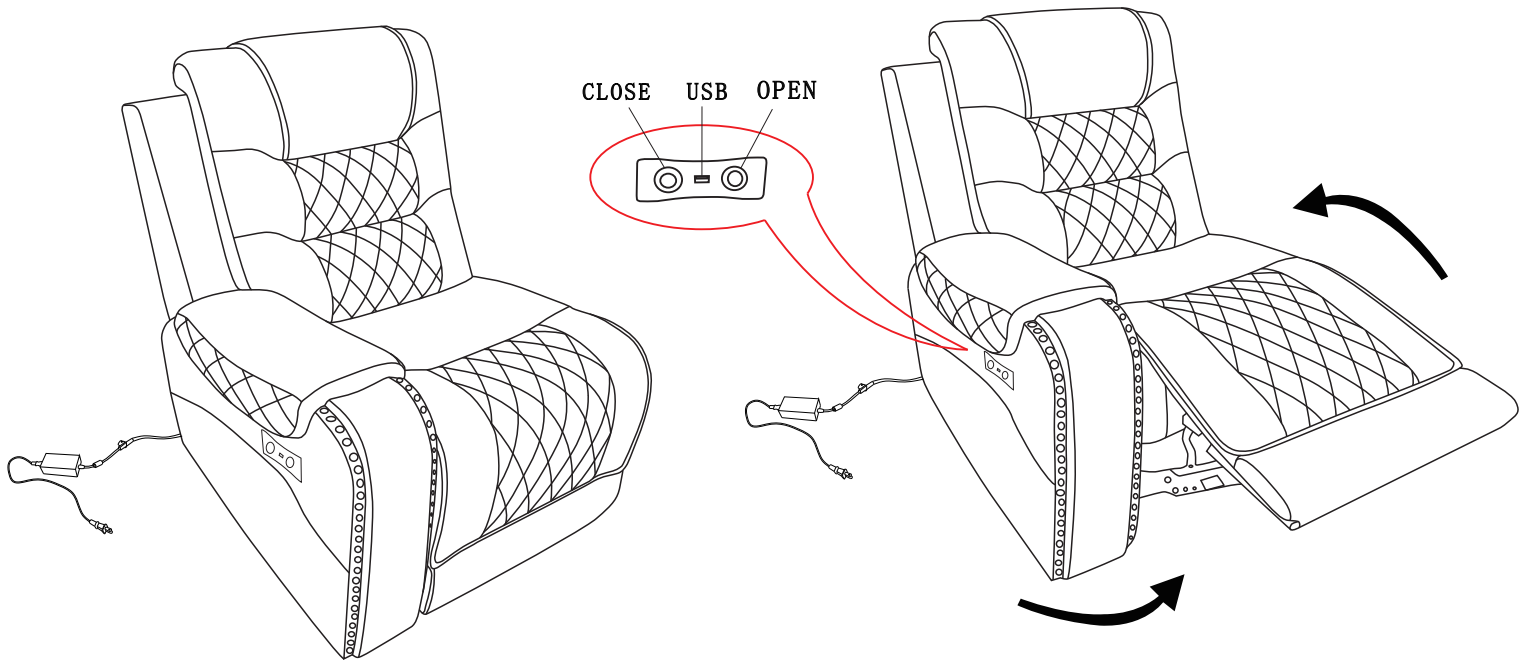
**STEP# 2**



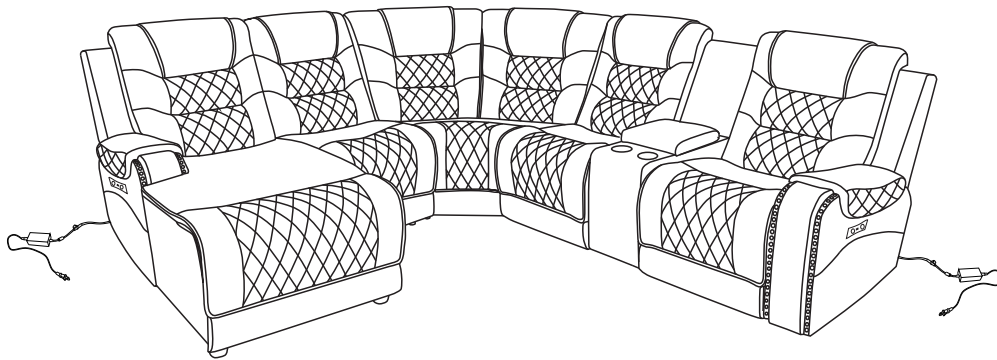
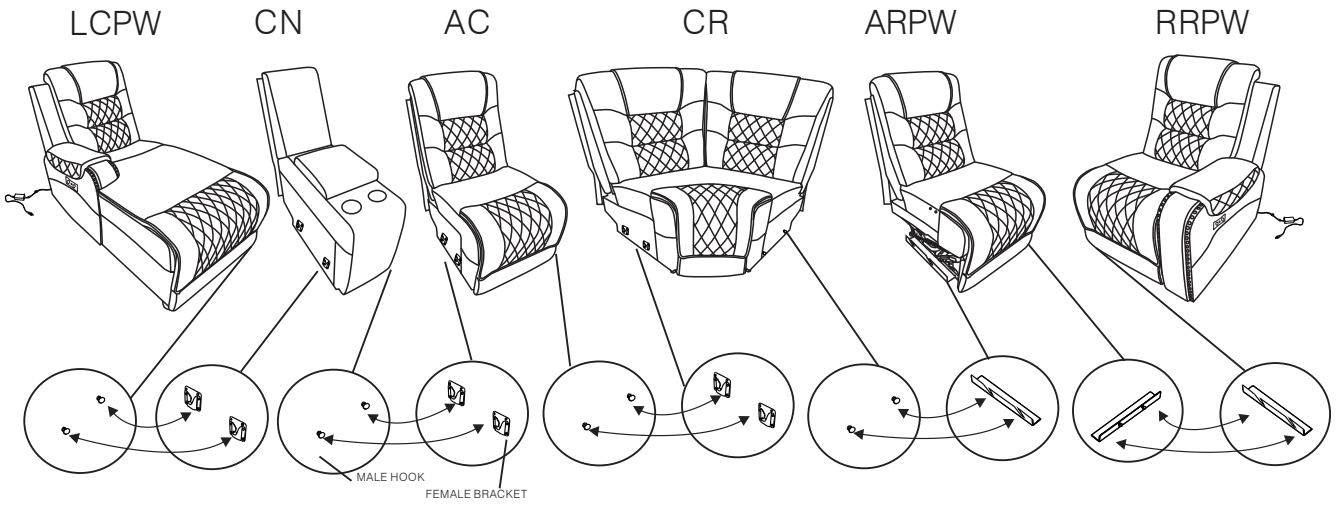
**STEP# 3**



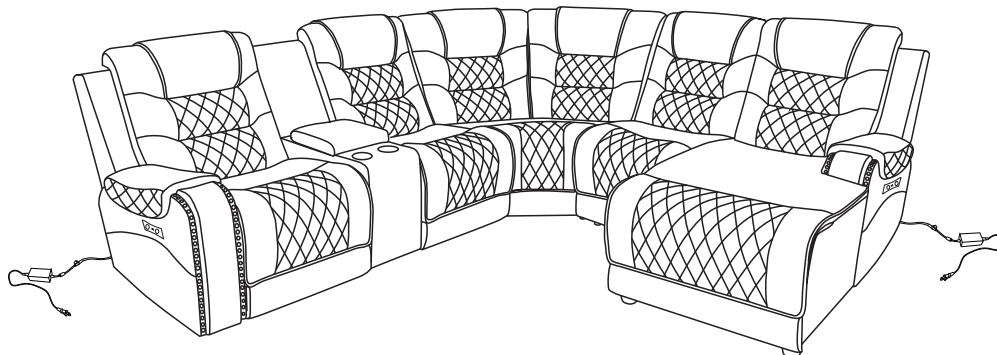
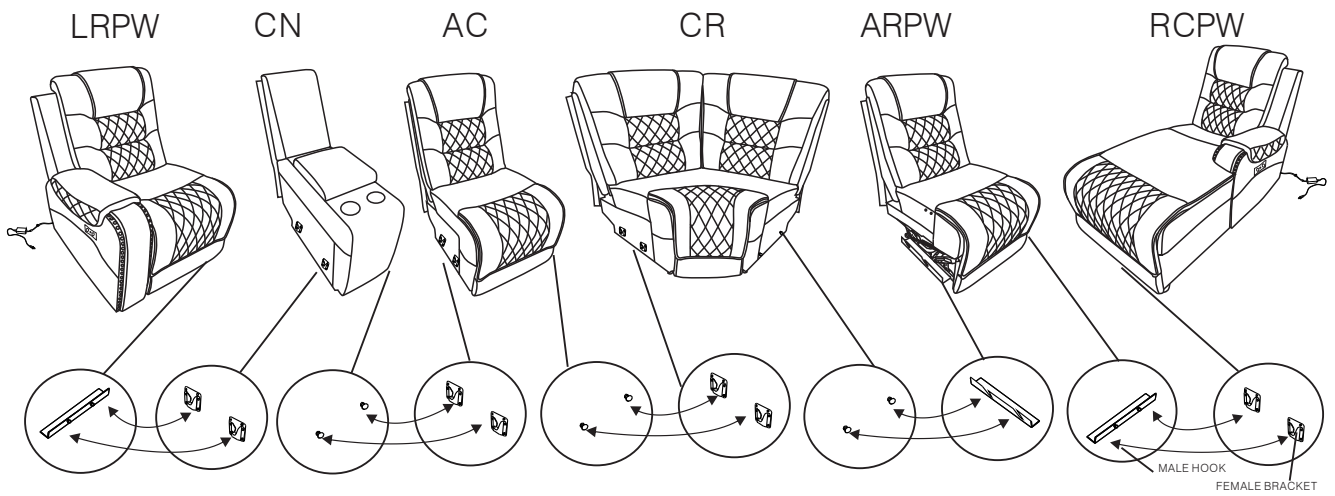
**STEP# 4**



1




2



## Care Instruction for Polished Microfiber Match Furniture.

In order to maintain the original appearance of your polished microfiber match furniture, please follow below simple care procedures:

- Avoid exposing furniture directly to sunlight or heating and air conditioning outlets. Sunlight and/or exposure to heating and air conditioning outlets will fade/damage Leather gel match.
- Do not place your upholstered furniture too close to windows, radiators, or vents, and be sure to use windows, radiators, or vents.
- Vacuum or wipe with a soft brush to remove dust.

 For items use on wooden floor, hard surfaces or carpets, it is recommended to Install protective pads under all legs and supports to avoid/prevent from damages/scratches and discoloration.

### Warning

Do not allow electrical cord to be pinched between moving parts or between the frame and the floor. Do not place cord under carpet or in location where it could become worn.