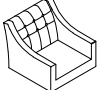
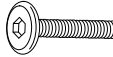
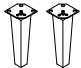

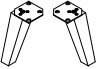





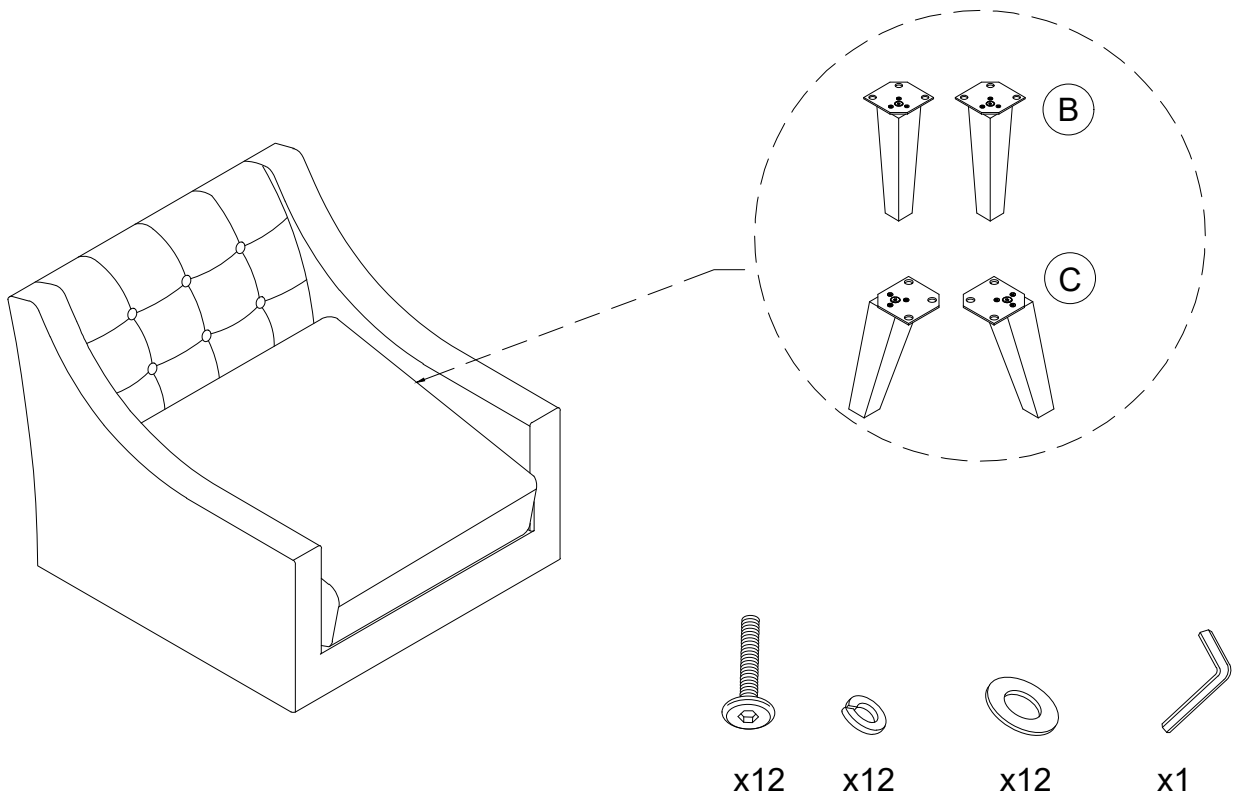
ASSEMBLING INSTRUCTIONS

ITEM NO: 1004GRY-1/ 1004BEG-1/
1004BUE-1/ 1004DGY-1/ 1004GRN-1
Accent Chair

! Legs & hardware are stored under the seat cushion, please take out the legs and hardware for assembly
Note: Do not use power tools for assembly. Power tools increase the risk of over tightening which lead to splitting or cracking the wood.

PART	DRAWING	DESCRIPTION	QTY	PART	DRAWING	DESCRIPTION	QTY
A		Seat	1 PC	1		Bolt Ø5/16"×1"	12 PCS
B		Front Wood Leg 3-1/2"×3-1/2"×8-3/4"	2 PCS	2		Spring Washer Ø5/16"	12 PCS
C		Rear Wood Leg 3-1/2"×3-1/2"×8-3/4"	2 PCS	3		Flat Washer Ø5/16"×19	12 PCS
D		Seat Cushion	1 PC	4		Allen Key M4	1 PC

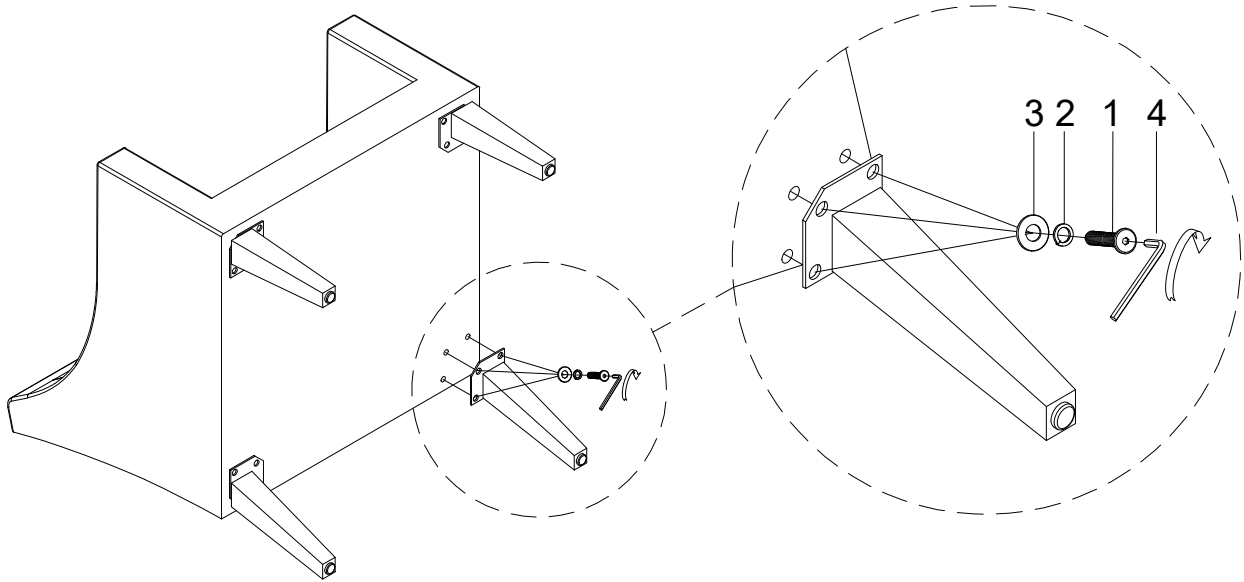
STEP 1



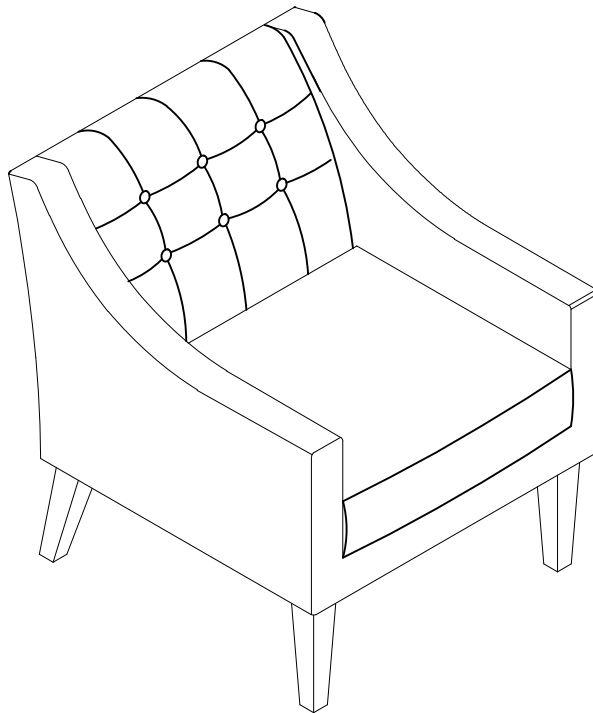
ASSEMBLING INSTRUCTIONS

ITEM NO: 1004GRY-1/ 1004BEG-1/
1004BUE-1/ 1004DGY-1/ 1004GRN-1
Accent Chair

STEP 2




STEP 3



Care Instruction for Textured Furniture:

In order to maintain the original appearance of your textured furniture, please follow below simple care procedures:

- Avoid exposing furniture directly to sunlight or heating and air conditioning outlets. Sunlight and or exposure to heating and air conditioning outlets will fade/damage textured.
- Vacuum or wipe with a soft cloth to remove dust.
- Hardware may loosen over time. Periodically check to make sure all connection are tight, Re-tighten if necessary

 For item use on wooden floor, hard surfaces or carpets, it is recommended to install protective pads under all legs and supports to avoid/prevent from damages/scratches and discoloration.