



H O M E E L E G A N C E

# Assembly Instruction







ITEM NO.:1150BE/TP-1  
ACCENT CHAIR



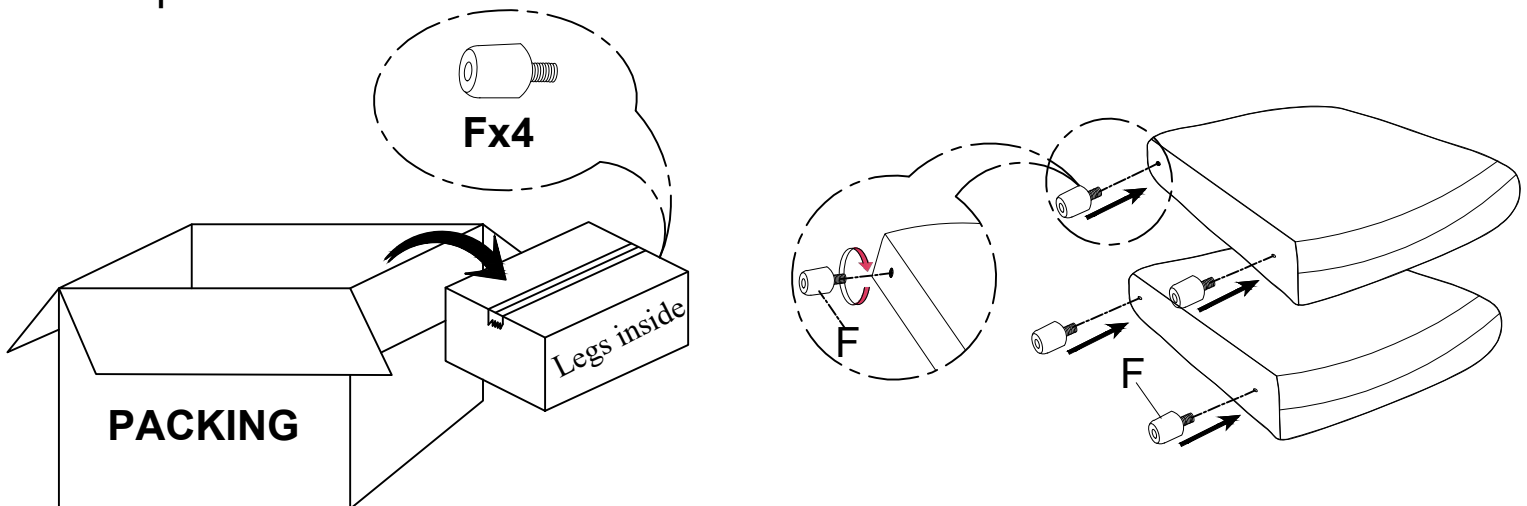
The legs are located inside the carton,  
please take them out for assembly.

Note: Do not use power tools for assembly. Power tools increase the risk of over tightening which lead to splitting or cracking the wood.

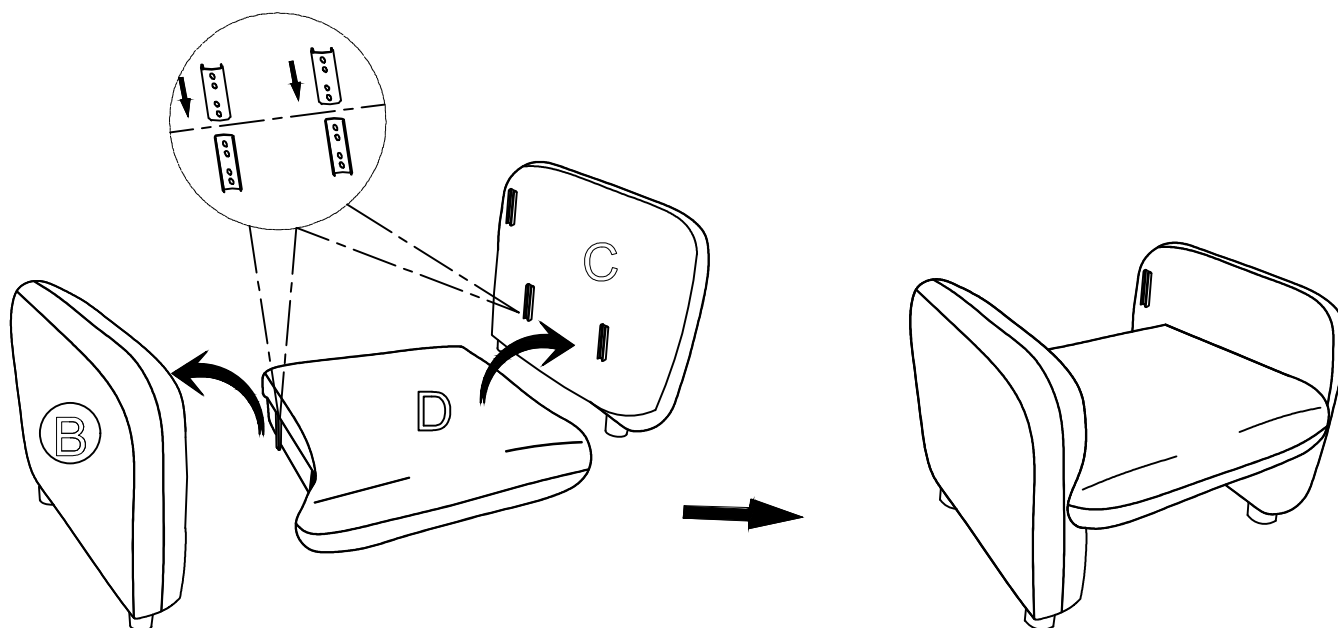
## Component list

No	Drawing	Qty	Description
A		1	<b>BACKREST</b>
B		1	<b>LSF ARMREST</b>
C		1	<b>RSF ARMREST</b>
D		1	<b>CHAIR SEAT</b>
E		1	<b>PILLOW 22" X 8"</b>
F		4	<b>PLASTIC LEGS Ø50*50mm</b>

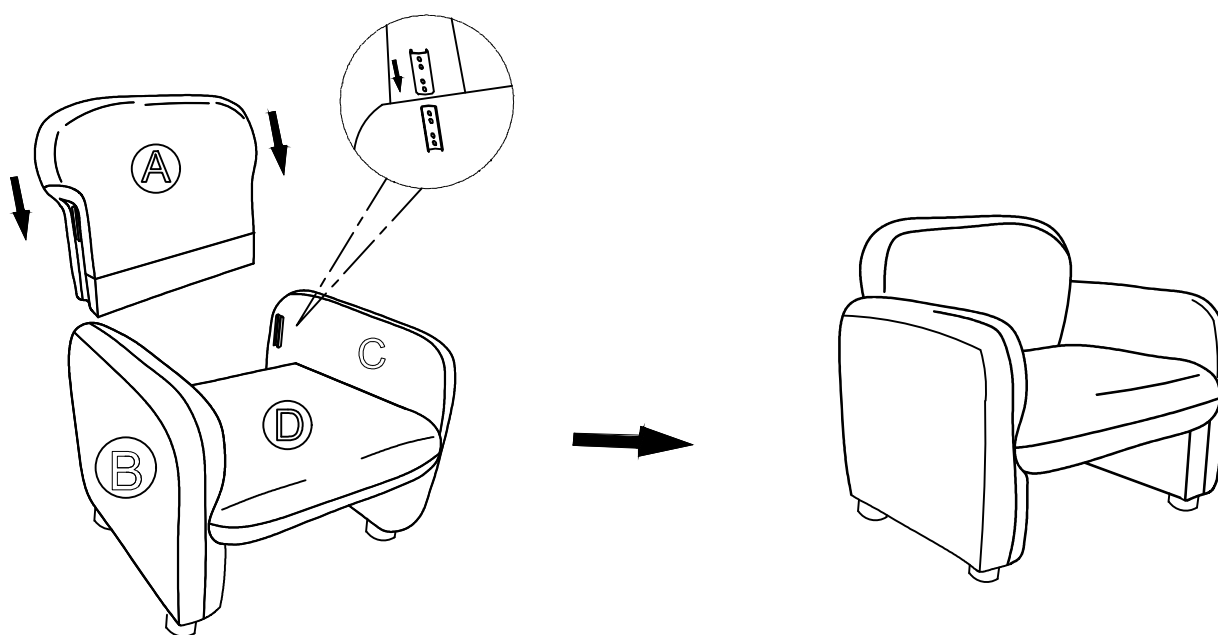
## Step #1



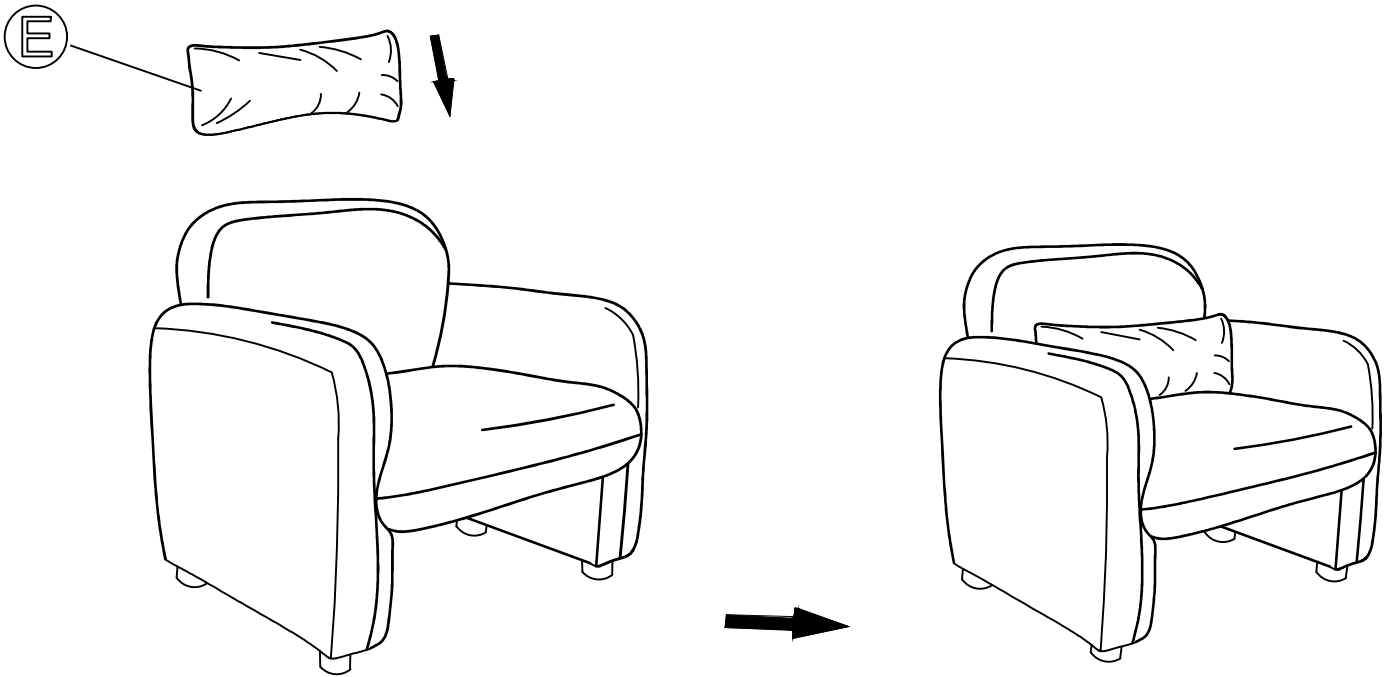
## Step #2



## Step #3



## Step #4



Completed

## Care Instruction for Boucle Furniture:

In order to maintain the original appearance of your boucle Furniture, please follow below simple care procedures:

- Avoid exposing furniture directly to sunlight or heating and air conditioning outlets. Sunlight and or exposure to heating and air conditioning outlets will fade/damage boucle.
- Vacuum or wipe with a soft cloth to remove dust.
- Hardware may loosen over time. Periodically check to make sure all connection are tight, Re-tighten if necessary



For items use on wooden floor, hard surfaces or carpets, it is recommended to Install protective pads under all legs and supports to avoid/prevent from damages/scratches and discoloration.