

Assembly Instruction

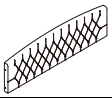
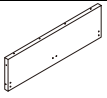


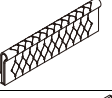
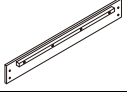

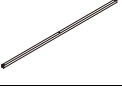
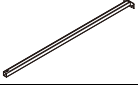


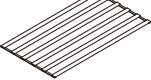
ITEM NO.: 2550DG/BR-1


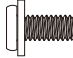


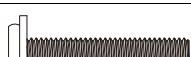
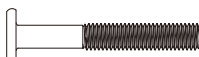

item: Queen Platform Bed

Legs, support rail, support bar, hardware are packed in the box.
Please take out for assembly.

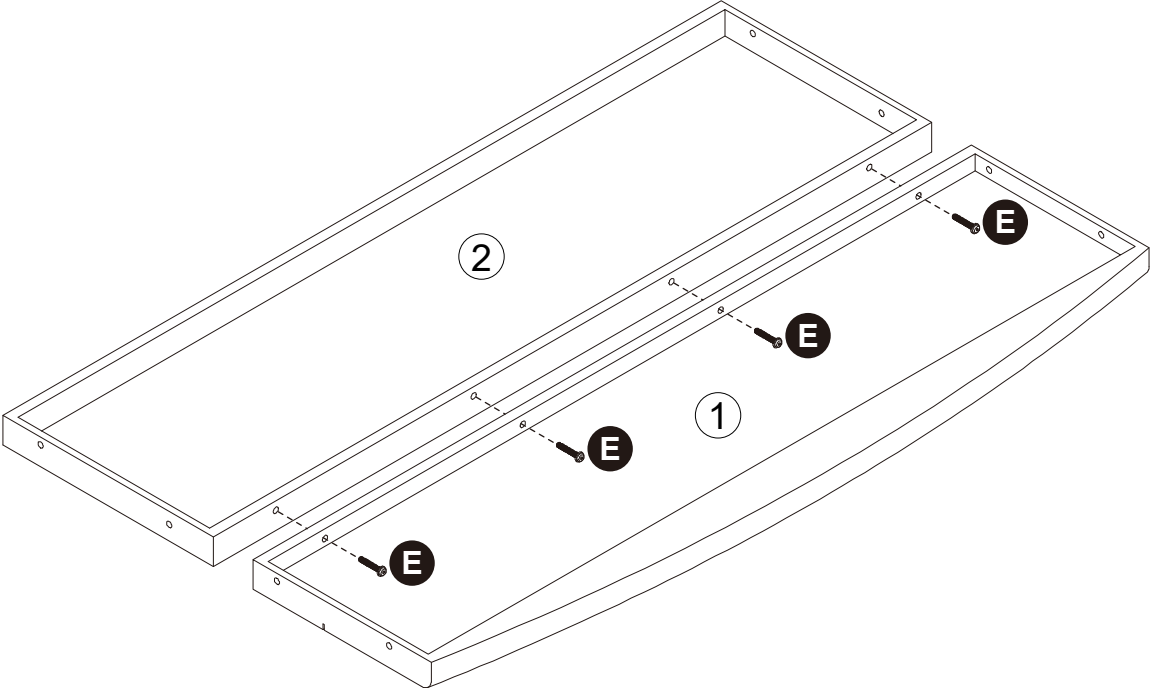


Note: Do not use power tools for assembly. Power tools increase the risk of over tightening which lead to splitting or cracking the wood.

No.	Drawing	Description	Qty
1		Tufted Headboard Panel	1 PC
2		Flatted Headboard Panel	1 PC
3		LSF Ear	1 PC
4		RSF Ear	1 PC
5		Tufted Footboard	1 PC
6		Side Rail	4 PCS
7		Center Rail Support Leg	2 PCS
8		Center Slat Support	1 PC
9		Center Rail Support	2 PCS
10		Center Rail Support Leg	1 PC
11		Wooden leg (Ø7.5cm x H 15cm)	2 PCS
12		Slat (1Roll/6 pcs)	2 ROLLS

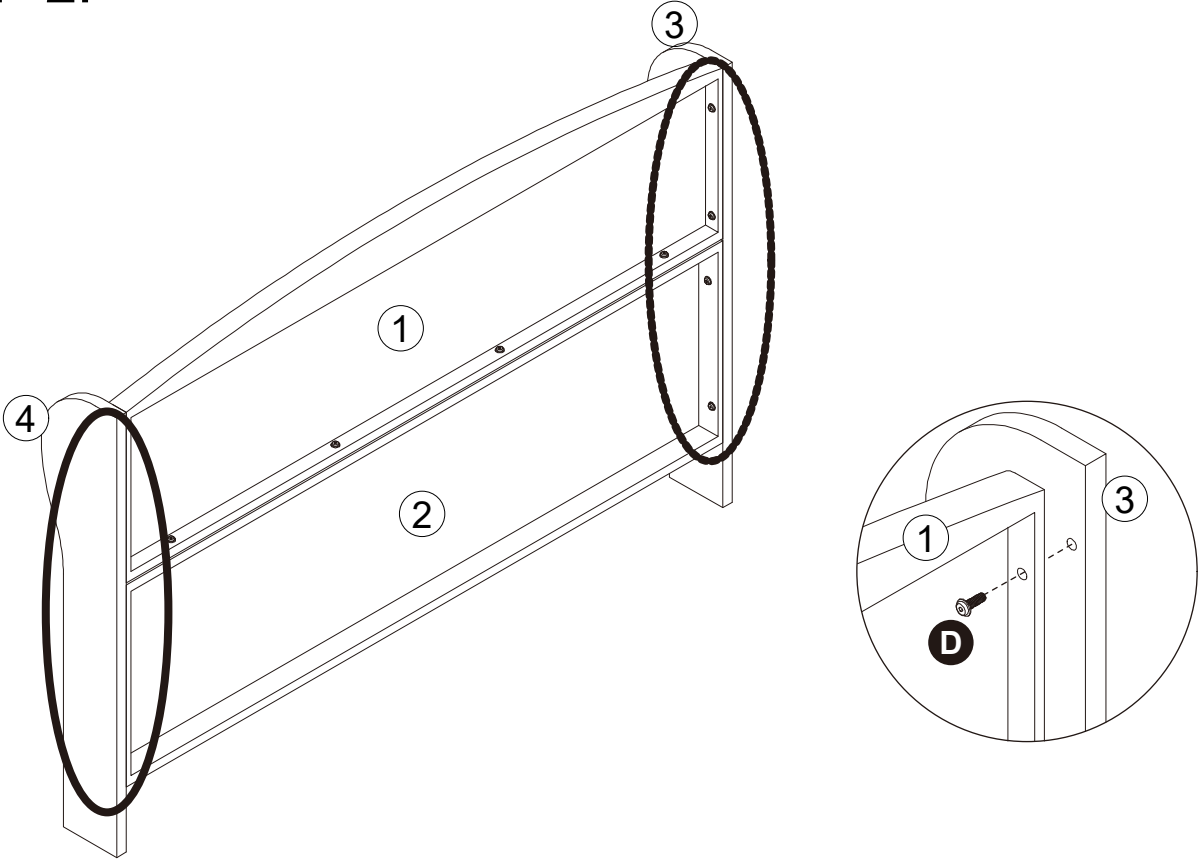
No.	Drawing	Description	Qty
A		Allen Key (M4x100mm)	1 PC
B		Bolts (5/16" x L 19mm)	16 PCS
C		Bolts (5/16" x L 25mm)	12 PCS
D		Bolts (5/16" x L 35mm)	12 PCS
E		Bolts (5/16" x L 45mm)	4 PCS
F		Bolts (5/16" x L 55mm)	1 PC
G		Metal plate	4 PCS

STEP 1:



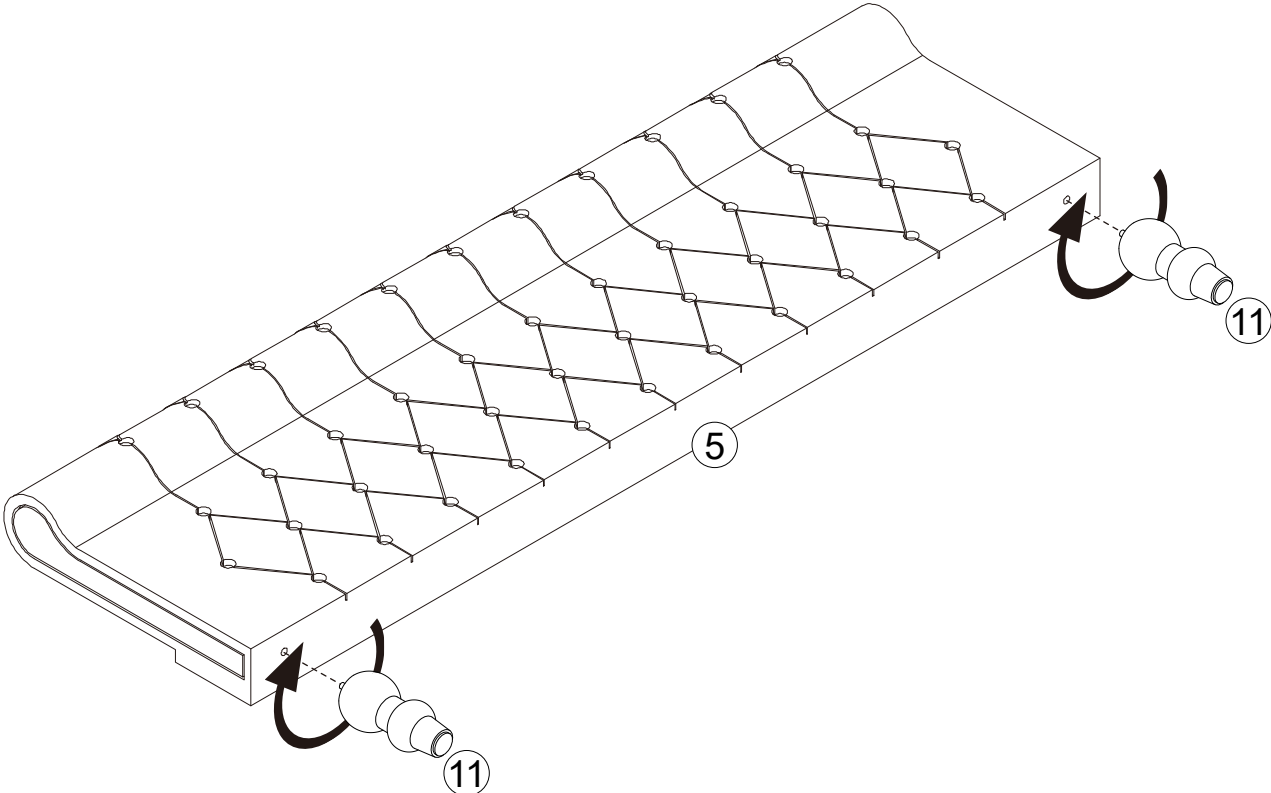
 E x 4

STEP 2:

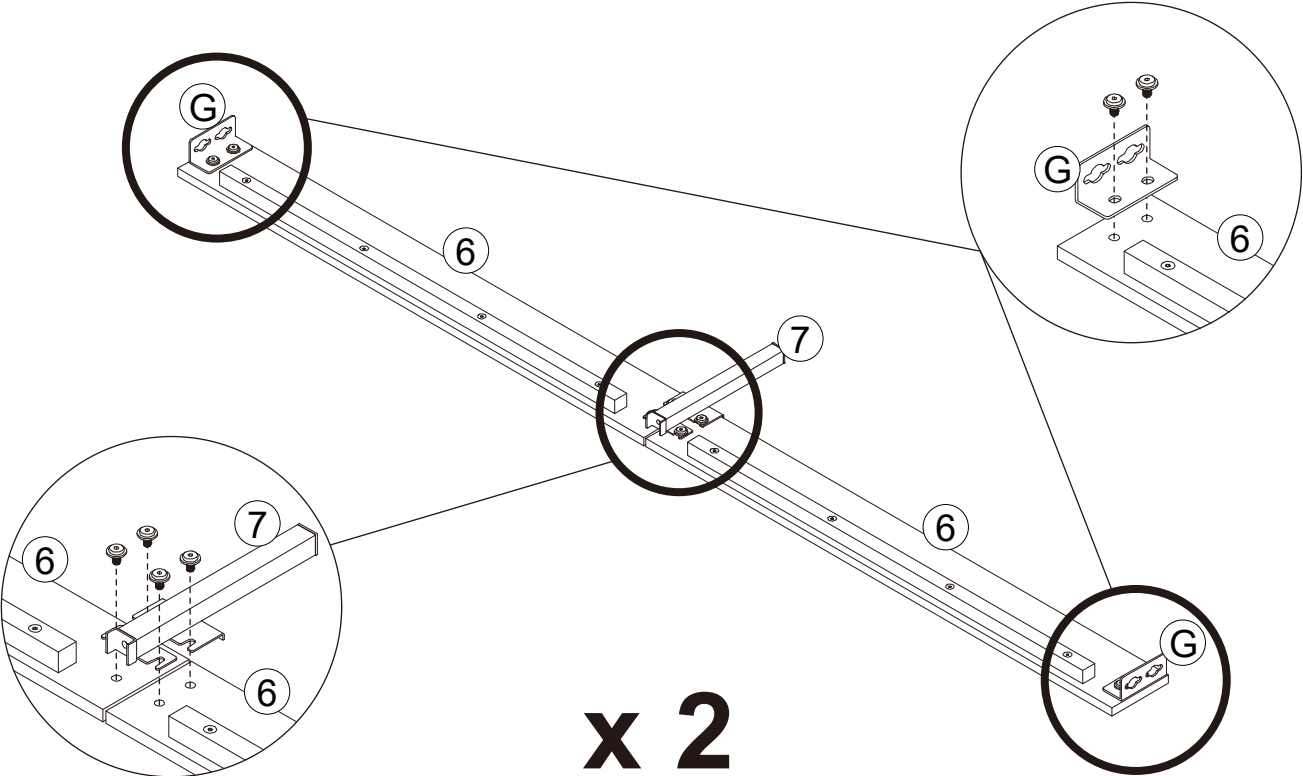


 D x 8

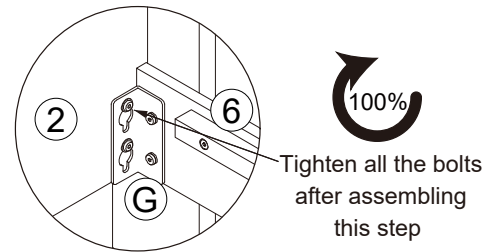
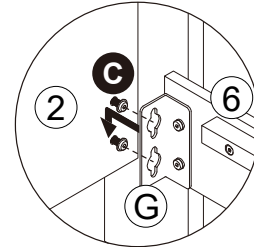
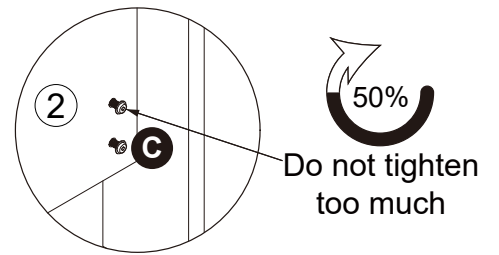
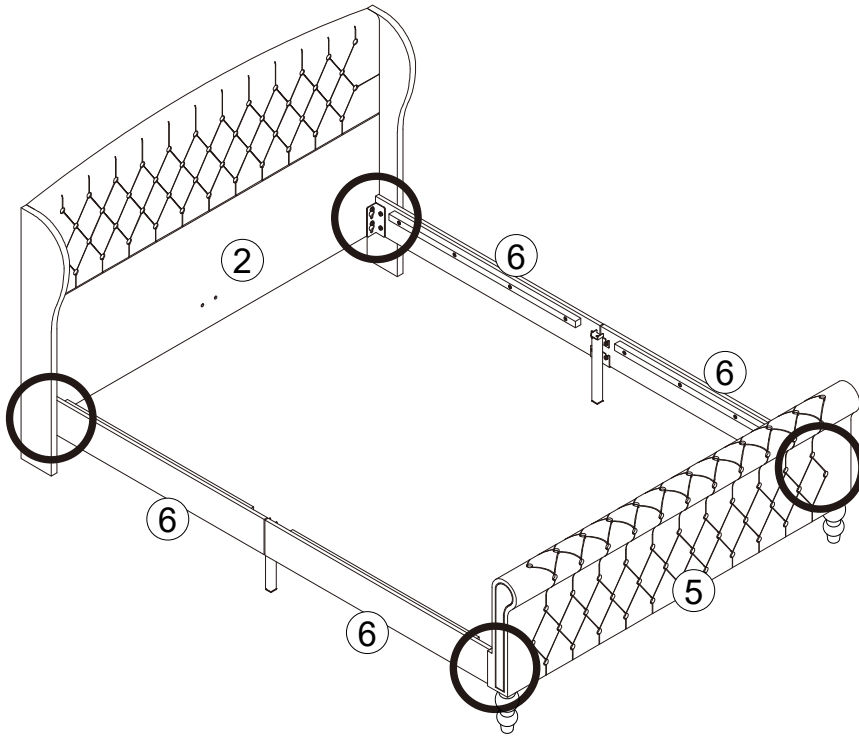
STEP 3:



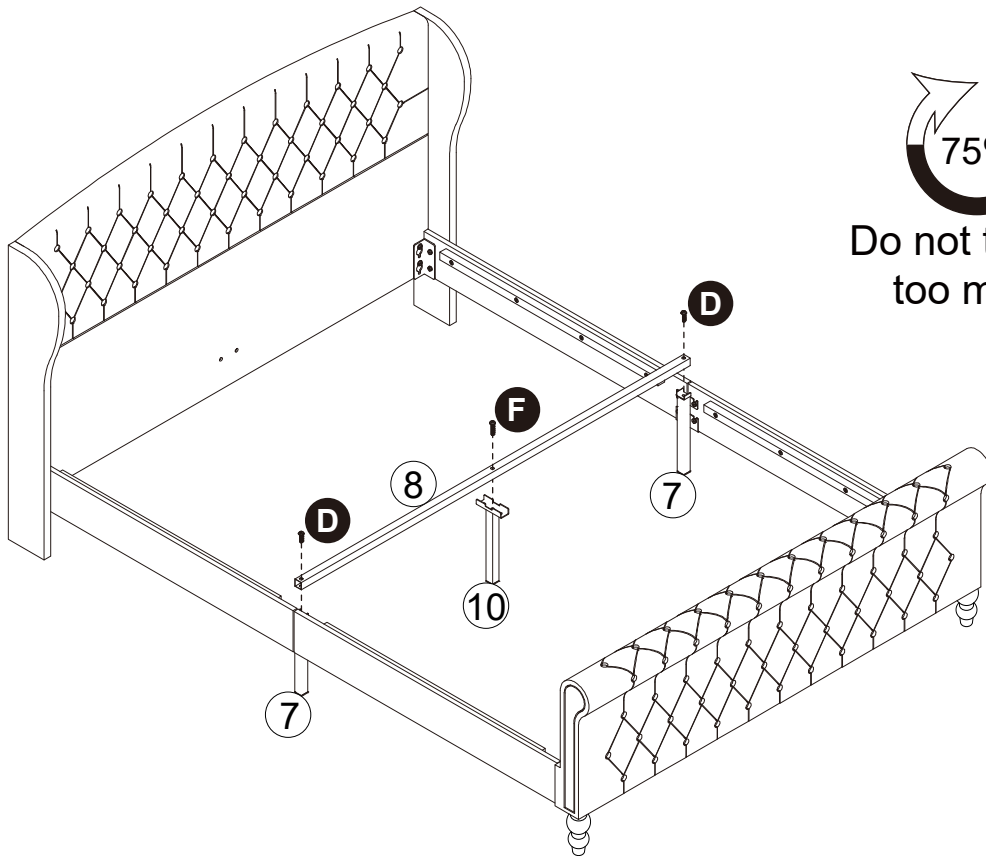
STEP 4:



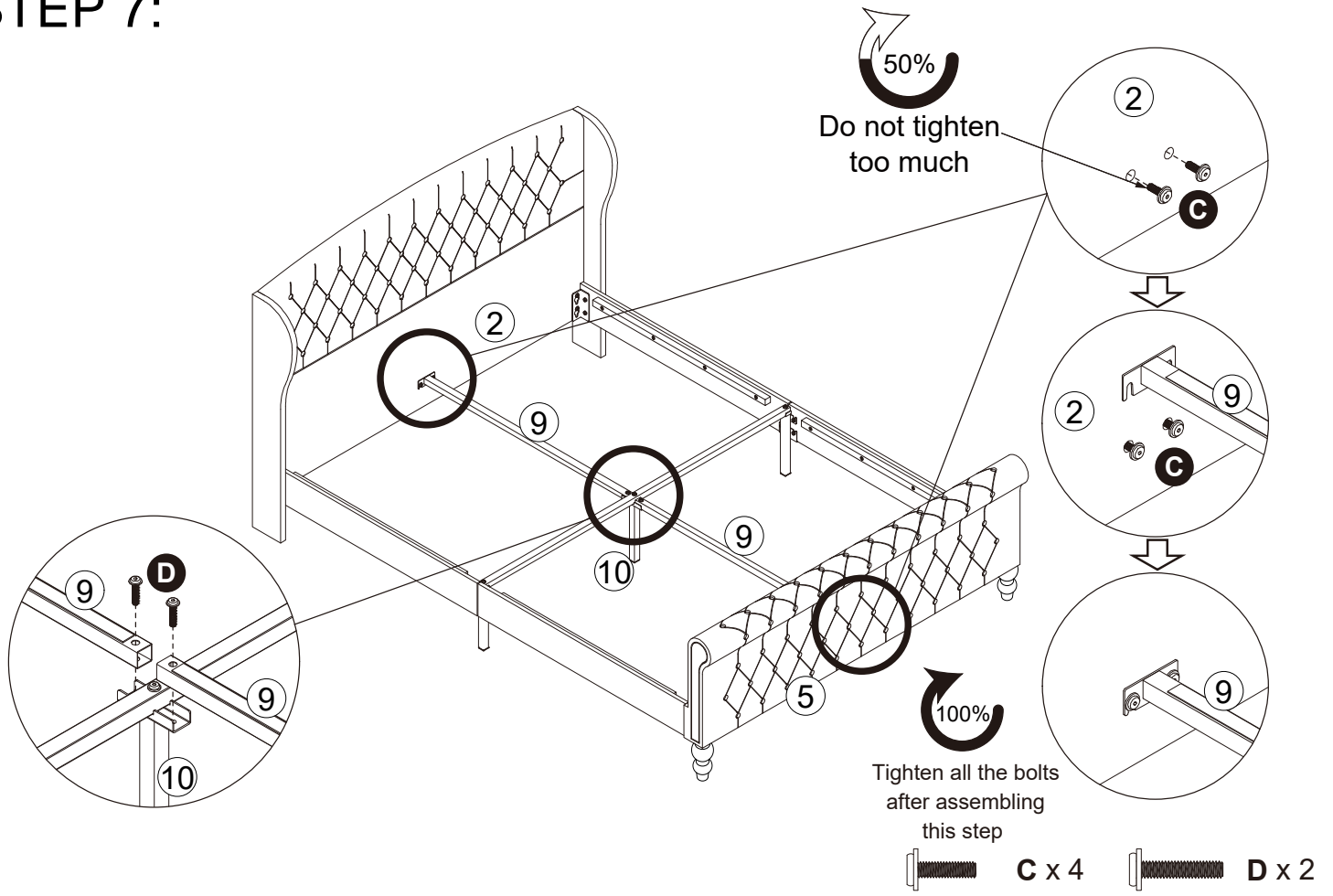
STEP 5:



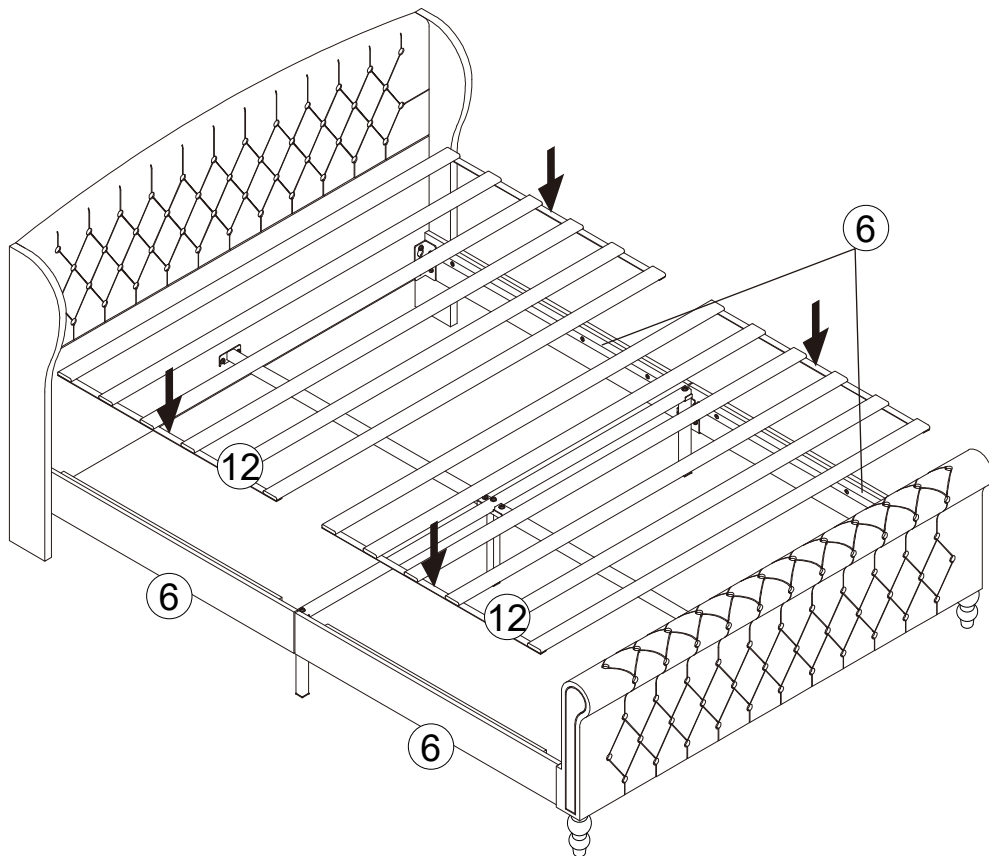
STEP 6:



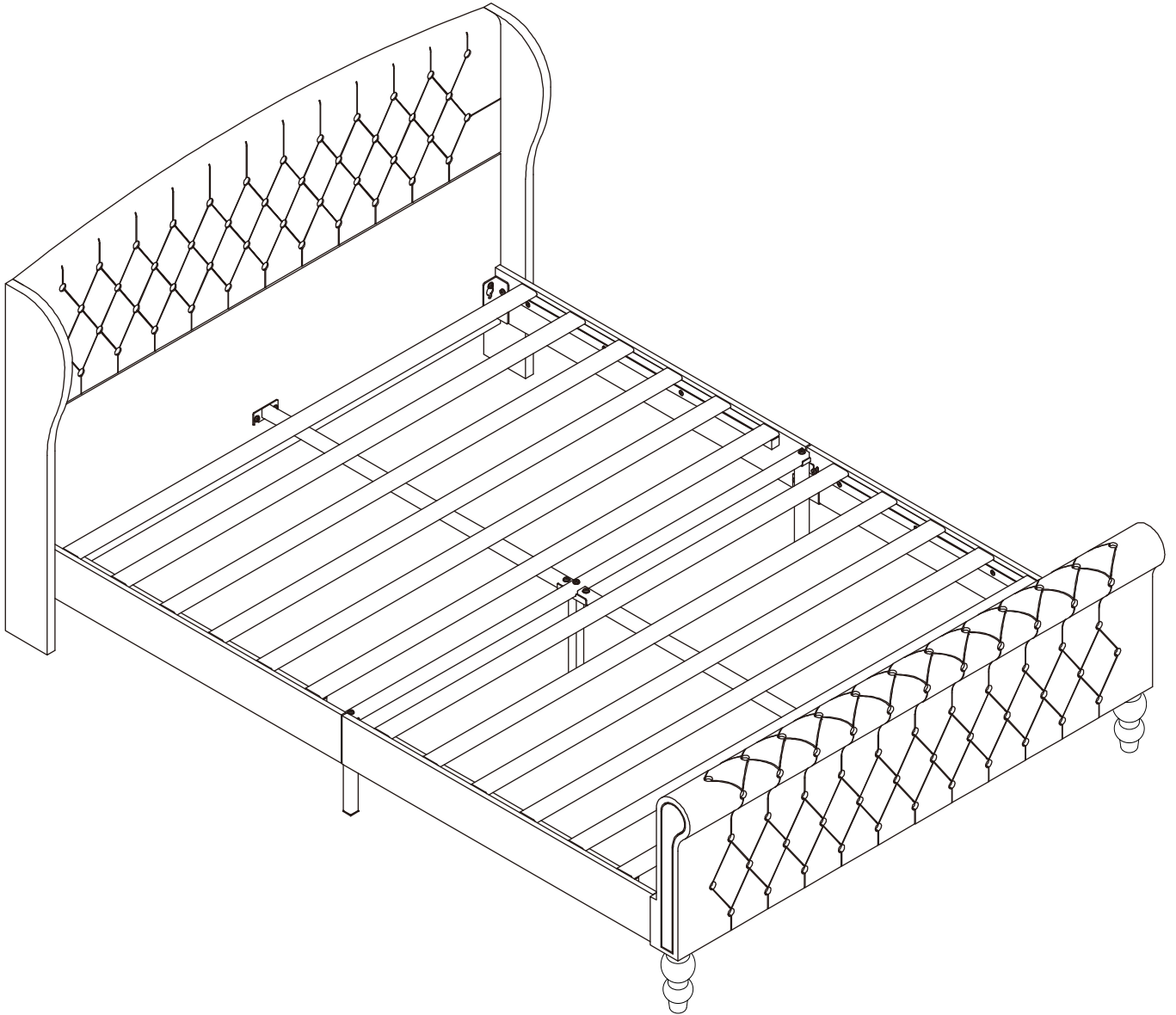
STEP 7:



STEP 8:



COMPLETE



Care Instruction for Velvet Furniture:

In order to maintain the original appearance of your Velvet, please follow below simple care procedures:

- Avoid exposing furniture directly to sunlight or heating and air conditioning outlets. Sunlight and or exposure to heating and air conditioning outlets will fade/damage Velvet.
- Vacuum or wipe with a soft cloth to remove dust.
- Hardware may loosen over time. Periodically check to make sure all connections are tight, Re-tighten if necessary.



For items use on wooden floor, hard surfaces or carpets, it is recommended to Install protective pads under all legs and supports to avoid/prevent from damages/scratches and discoloration.