

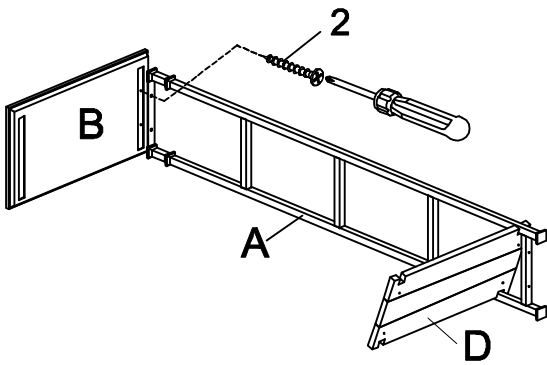


ASSEMBLY INSTRUCTION

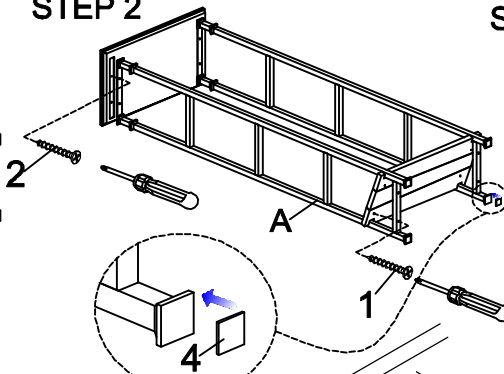
ITEM#:3228 -12L 40"WIDTH BOOKCASE

PART LIST				HARDWARE LIST									
A		SIDE FRAME	2PCS	1		SCREW-BIG	Ø4X1-1/2"	4PCS					
B		TOP PANEL	1PC	2		SCREW-SMALL	Ø4X3/4"	4PCS					
C		MIDDLE SHELF	3PCS	3		BOLT	Ø5/32X1/2"	5PCS					
D		BOTTOM PANEL	1PC	4		SPACER	40X40X3mm	4PCS					
E		IRON CROSS BAR	2PCS	ANTI-TIPPING HARDWARE PACK									
									5		TIE WRAP		1PC
									6		BRACKET		2PCS
									7		PLASTIC SCREW ANCHOR		1PC
									8		SCREW	Ø4X1-1/2"	1PC
				9		SCREW	Ø4X3/4"	1PC					

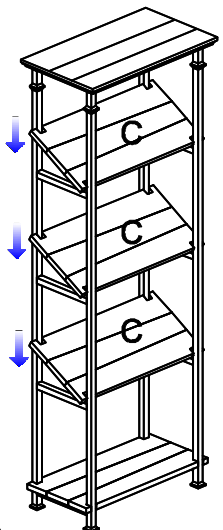
STEP 1



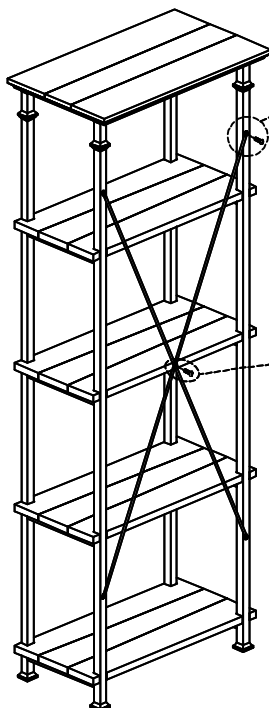
STEP 2



STEP 3



STEP 4



STEP 5

