
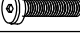






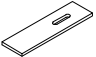

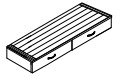





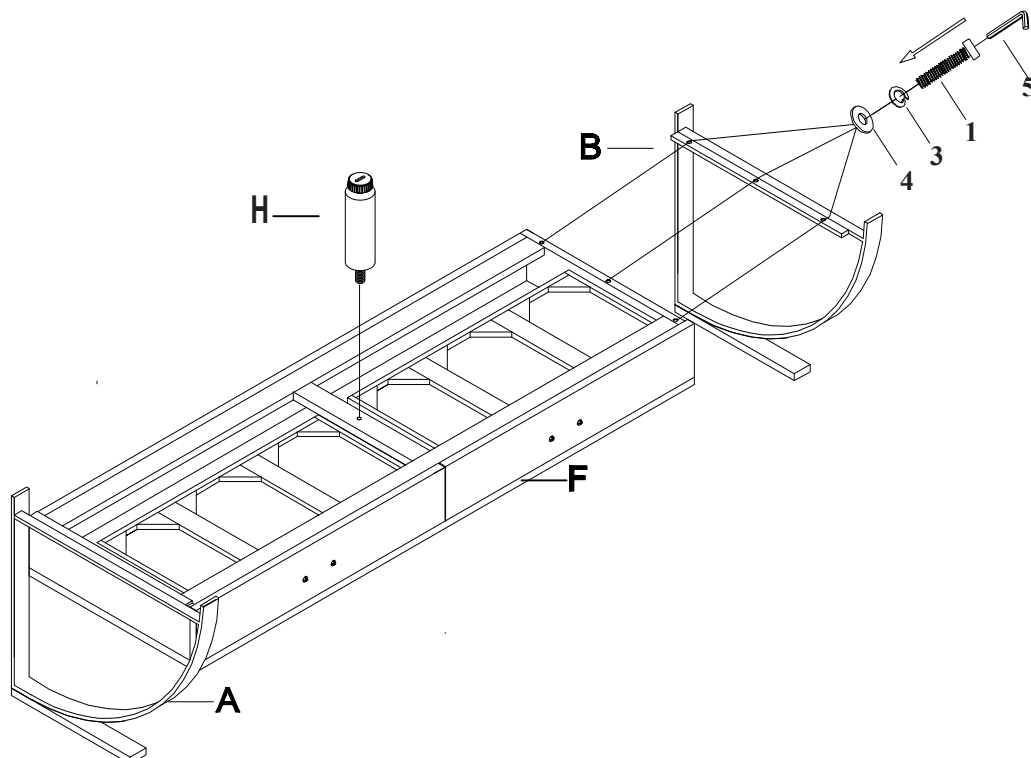
ASSEMBLY INSTRUCTION

ITEM NO:3533ORF-T TV STAND

Thank you for purchasing this quality product. Be sure to check all packing material carefully for small parts that may have come loose inside the carton during shipment.

PARTS LIST				HARDWARE LIST				
NO.	Description	Sketch	Q'ty	NO.	Description	Sketch	Size	Q'ty
A	RSF LEG		1PC	1	BOLT		1/4"-20x1 1/4"	9PCS
B	LSF LEG		1PC	2	BOLT		1/4"-20x5/8"	8PCS
C	FRONT IRON CROSSBAR		1PC	3	SPRING WASHER		1/4"IDx1/2"ODx1/16"	17PCS
D	REAR IRON CROSS BAR		1PC	4	FLAT WASHER		1/4"IDx5/8"ODx1/16"	17PCS
E	BACK PANEL		1PC	5	ALLEN KEY		5/32"	1PC
F	BOTTOM DRAWER UNIT		1PC	6	GLASS DISK		3/4"Dx5/6"	8PCS
G	GLASS TOP		1PC					
H	SUPPORT LEG		1PC					

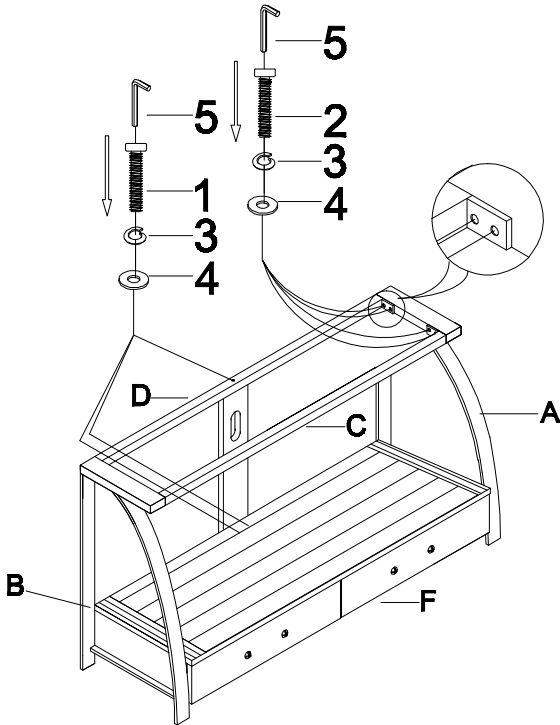
STEP 1 :



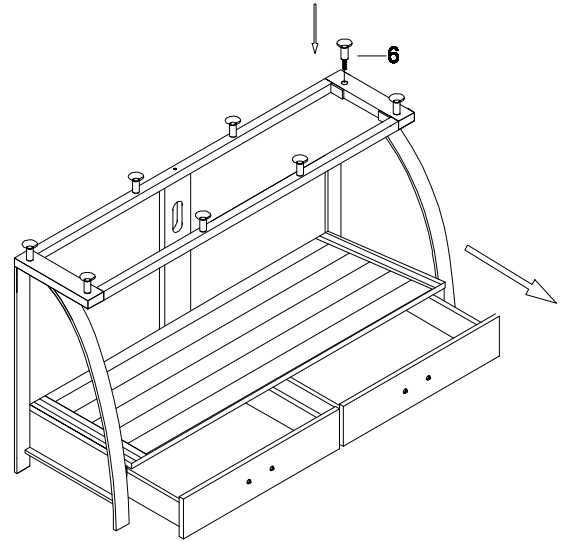
ASSEMBLY INSTRUCTION

ITEM NO:3533ORF-T TV STAND

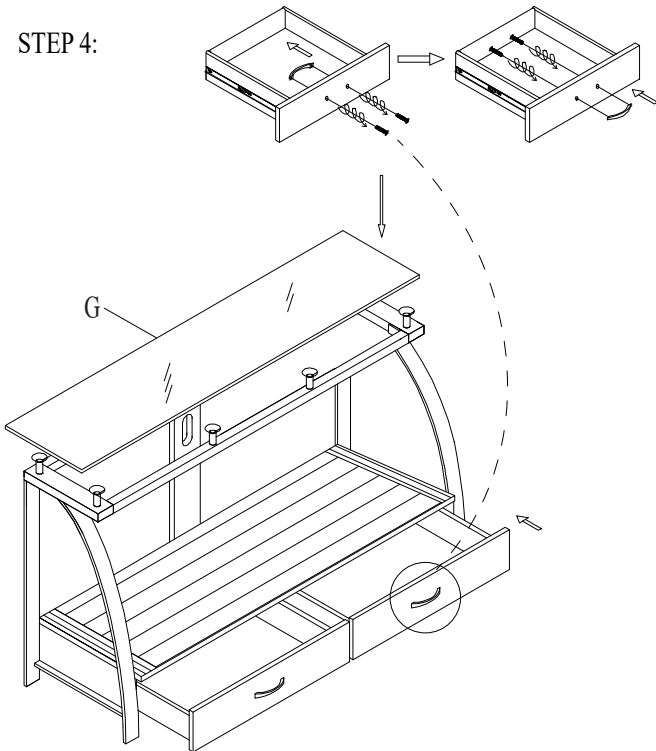
STEP 2:




STEP 3:




STEP 4:



DO NOT TIGHTEN BOLTS UNTIL COMPLETELY ASSEMBLED.

 It is recommended to install protective pads under all legs and supports to avoid damage or scratches when placing furniture on a wood floor or other hard surface, and to limit indentation and prevent discoloration if placing on carpet.

 Hardware may loosen over time. Periodically check to make sure all connections are tight. Re-tighten if necessary.