



# ASSEMBLY INSTRUCTION

ITEM NO.: 4212BRW-1BG

KID'S CHAIR

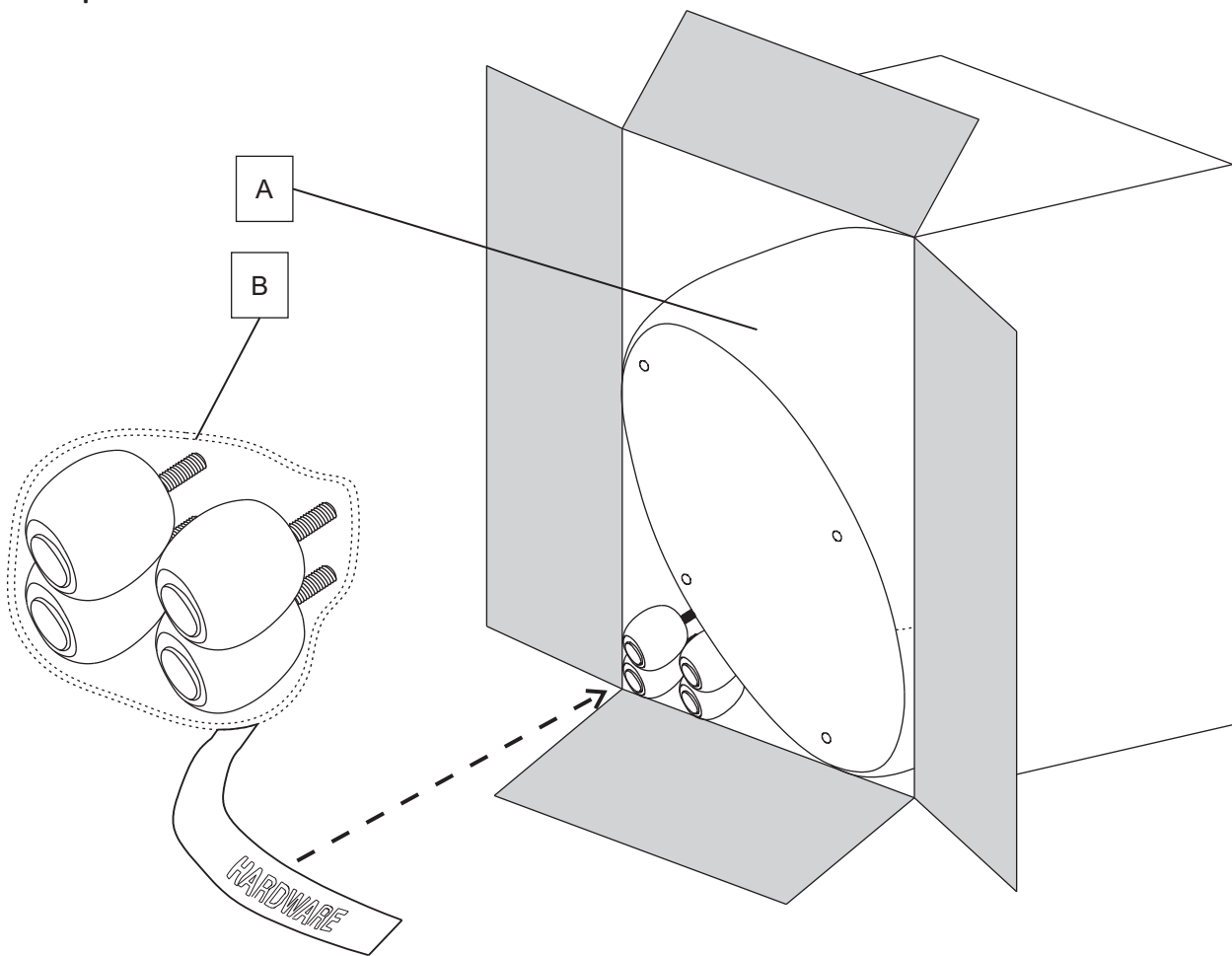


The legs are stored in a bag inside the carton, please take out for assembly.  
Note: Do not use power tools for assembly. Power tools increase the risk of over tightening which leads to splitting or cracking the wood.

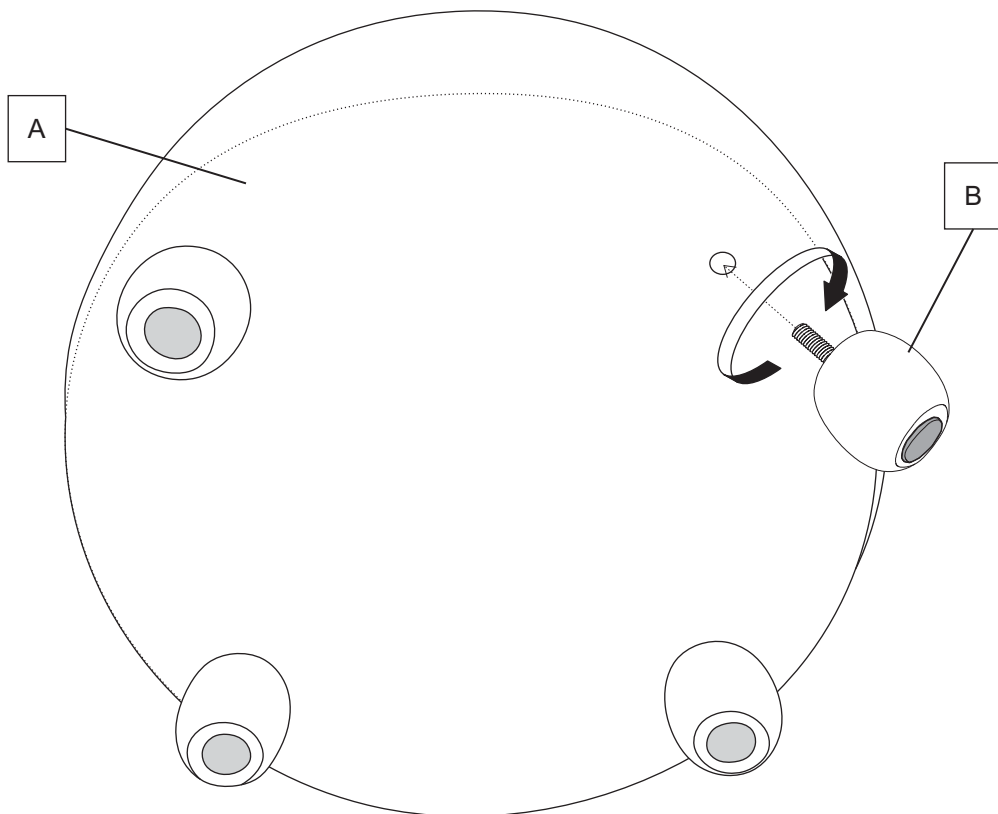
## COMPONENT LIST

No	Drawing	Description	Qty
A	A line drawing of the chair seat, showing a rounded rectangular shape with a curved bottom edge and two small circular protrusions at the top corners. Dotted lines indicate the internal structure or assembly points.	SEAT	1 PC
B	A line drawing of a single wooden leg, which is a rounded, bulbous shape with a small cylindrical protrusion at the top.	WOODEN LEG ( $\text{Ø } 3 \frac{1}{8}'' \times \text{H } 3 \frac{1}{8}''$ )	4 PCS

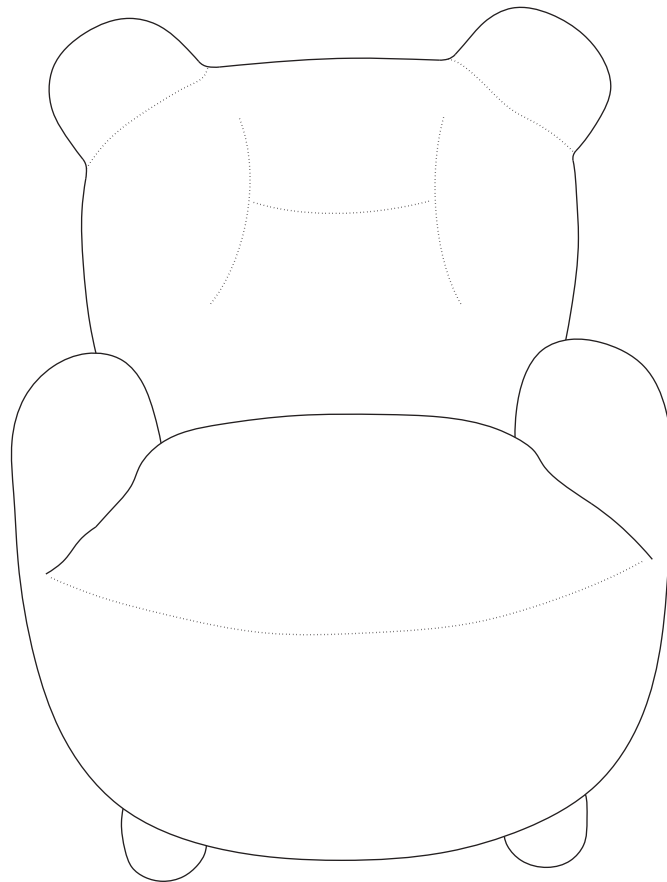
**Step #1**



**Step #2**



**COMPLETED**



### **Care Instruction for Chenille Furniture:**

In order to maintain the original appearance of your chenille Furniture, please follow below simple care procedures:

- Avoid exposing furniture directly to sunlight or heating and air conditioning outlets. Sunlight and or exposure to heating and air conditioning outlets will fade/damage chenille.
- Vacuum or wipe with a soft cloth to remove dust.
- Hardware may loosen over time. Periodically check to make sure all connections are tight, Re-tighten if necessary.



For items use on wooden floor, hard surfaces or carpets, it is recommended to Install protective pads under all legs and supports to avoid/prevent from damages/scratches and discoloration.