



H O M E E L E G A N C E

ASSEMBLY INSTRUCTION

ITEM NO: 4655BLK/LGY-A Daybed Arms & slats
4655BLK/LGY-B Daybed Back & Trundle slats

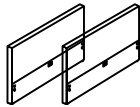


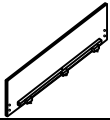
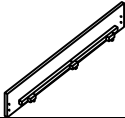
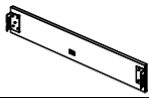
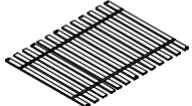
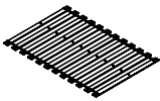



Thank you for being our valued customer. Be sure to check all packing materials carefully for small parts which have come loose inside the carton during shipment. Identify and count all items and compare them with the parts list below.

CAUTION: Read the Instructions carefully before assembly.

1. We recommend that you should assemble this product with the assistance of another person; this will make assembly easier, and will help to eliminate damage the product or injury to persons during assembly.
2. When you want to reposition the product, please always "LIFT & MOVE".

NOTE: Do not use power tools for assembly. Power tools increase the risk of over tightening which leads to splitting or cracking the wood.

PART LIST

NO.	DESCRIPTION	PART NAME	Q'TY (PC)
①	1-L LSF Arm 1-R RSF Arm		2
②	Back Rail		1
③	Side Rails		2
④	Trundle Front Panel		1
⑤	Trundle Back Panel		1
⑥	Trundle Side Panel		2
⑦	Daybed Slat 13 PCS/Roll		1
⑧	Trundle Slat 12 PCS/Roll		1
⑨	Daybed center support		1
⑩	Trundle Center Support		1
⑪	Plastic Feet		4



H O M E E L E G A N C E

ASSEMBLY INSTRUCTION

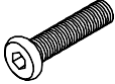
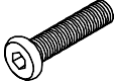
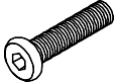



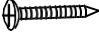
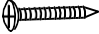

ITEM NO: 4655BLK/LGY-A Daybed Arms & slats
4655BLK/LGY-B Daybed Back & Trundle slats

Thank you for being our valued customer. Be sure to check all packing materials carefully for small parts which have come loose inside the carton during shipment. Identify and count all items and compare them with the parts list below.

CAUTION: Read the Instructions carefully before assembly.

1. We recommend that you should assemble this product with the assistance of another person; this will make assembly easier, and will help to eliminate damage the product or injury to persons during assembly.
2. When you want to reposition the product, please always "LIFT & MOVE".

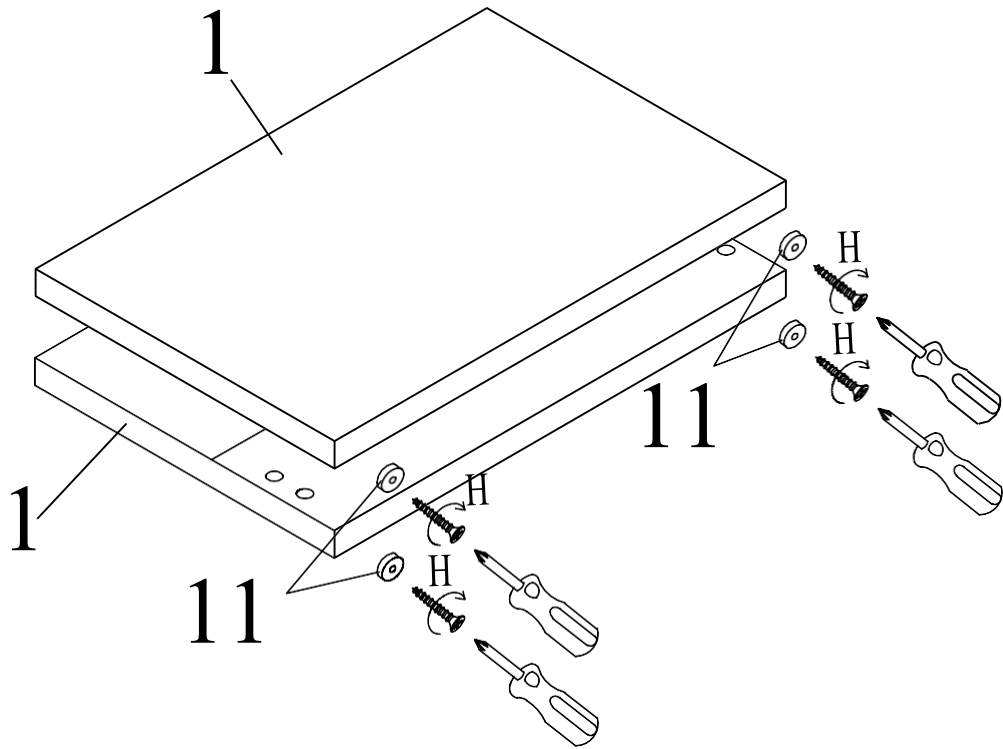
NOTE: Do not use power tools for assembly. Power tools increase the risk of over tightening which leads to splitting or cracking the wood.

HARDWARE			
(A)		Bolt Ø5/16" x 1-1/2"	8
(B)		Bolt Ø5/16" x 2-1/2"	4
(C)		Bolt Ø5/16" x3/4"	8
(D)		Lock Washer 5/16"	20
(E)		Flat Washer 5/16"x 19mm	16
(F)		Flat Washer 5/16"x 22mm	4
(G)		Screw #8 X 1-1/4"	75
(H)		Screw #8 X 2"	4
(I)		Allen wrench M5	1

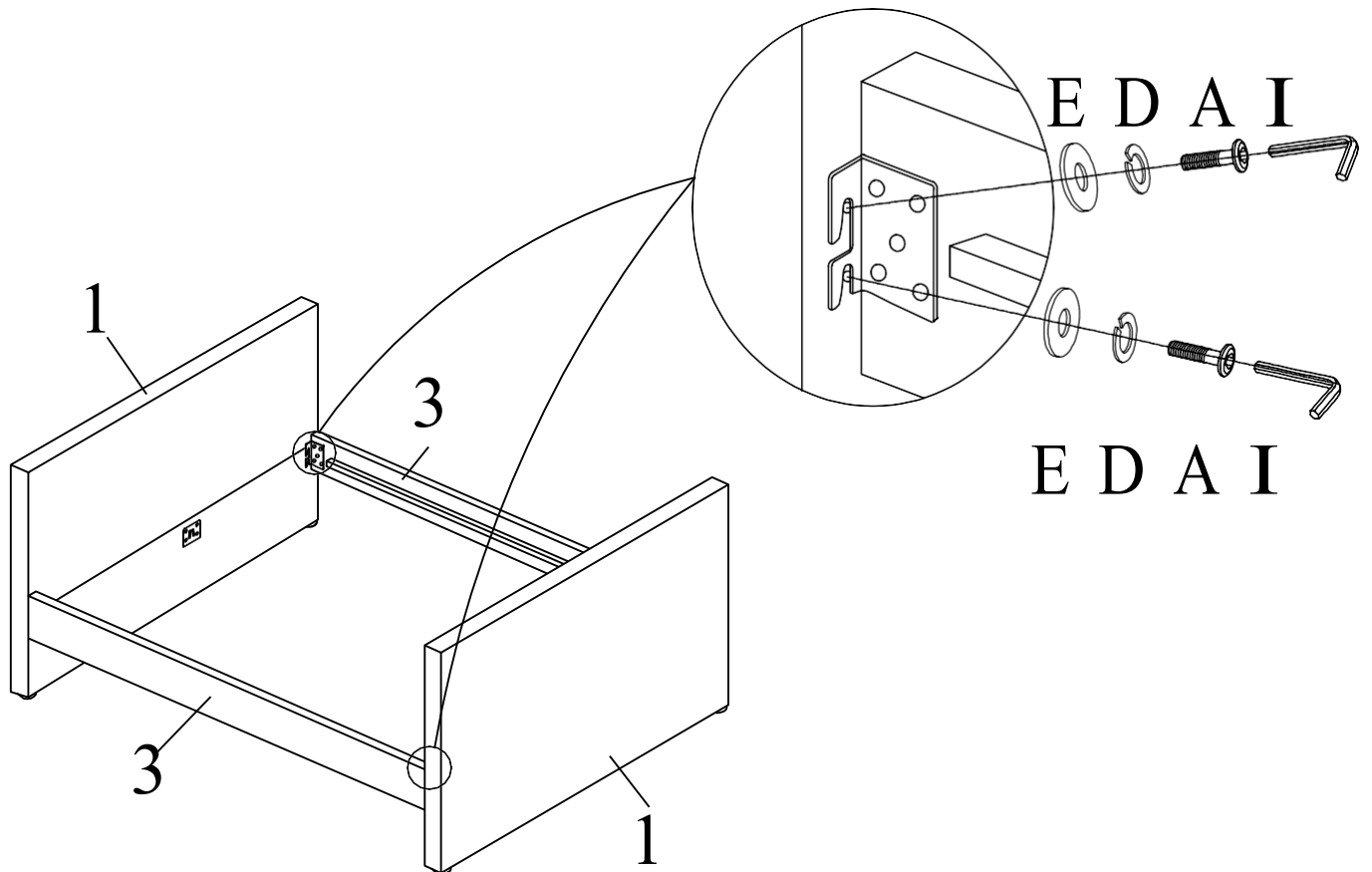
Hardware set is packed in box –A.

ASSEMBLY INSTRUCTION

STEP 1

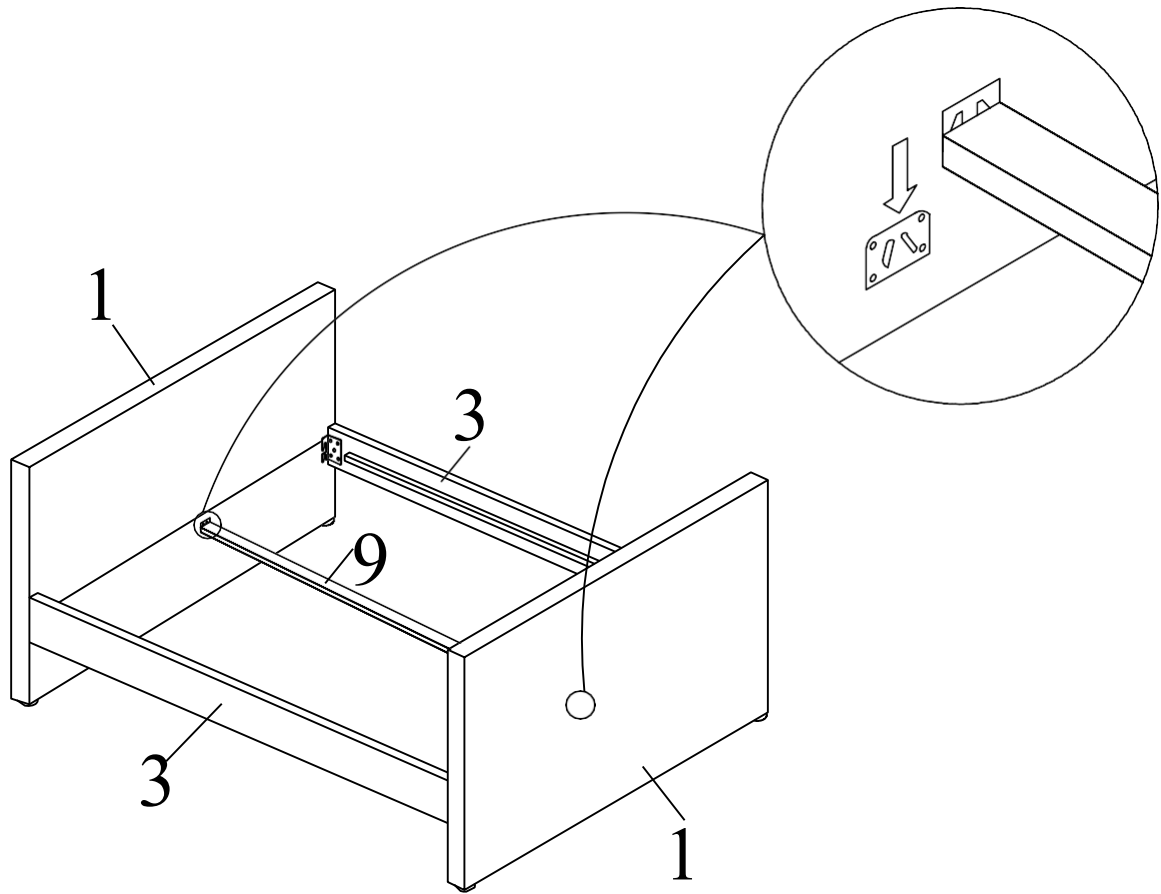


STEP 2

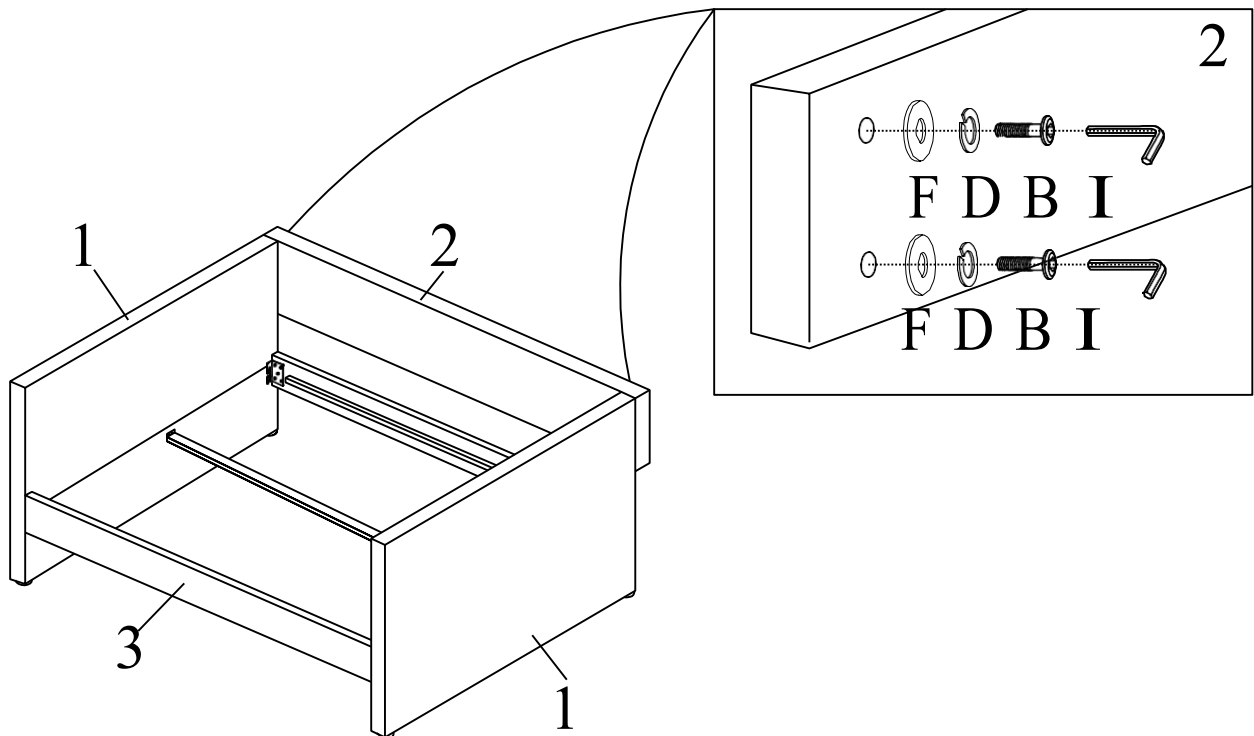


ASSEMBLY INSTRUCTION

STEP 3

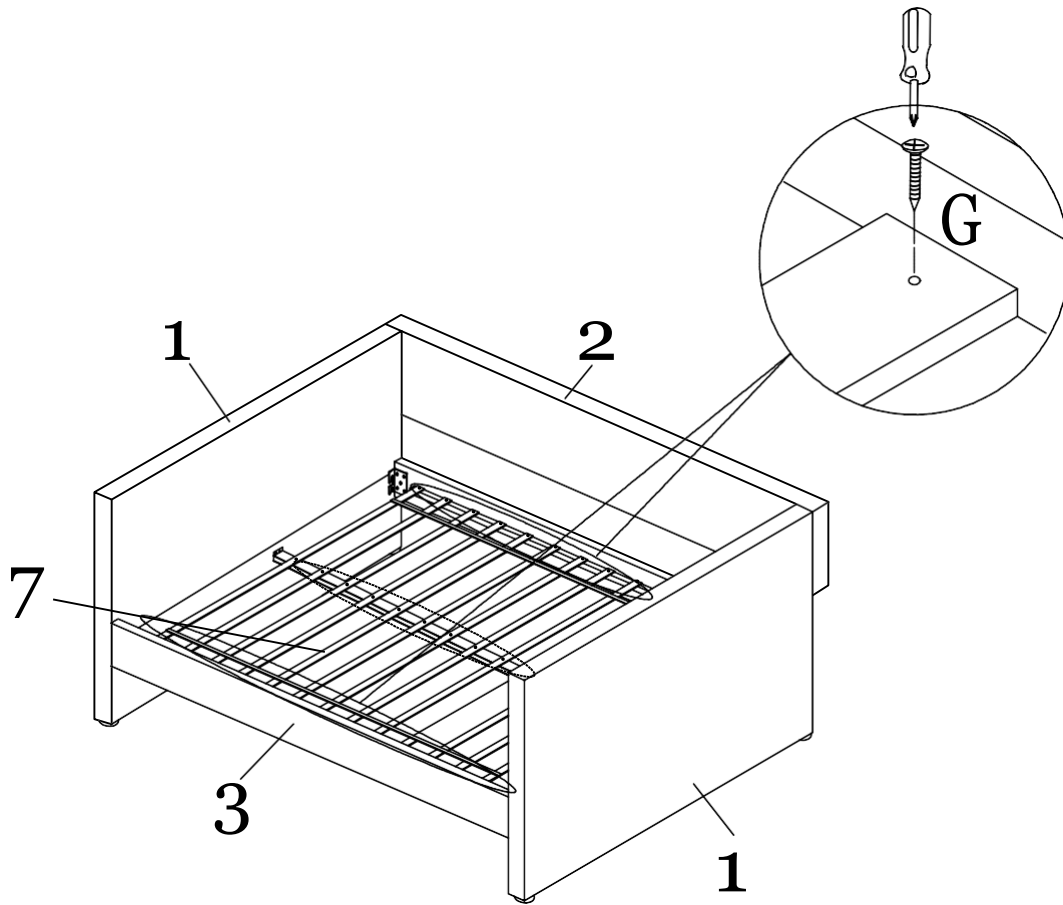


STEP 4

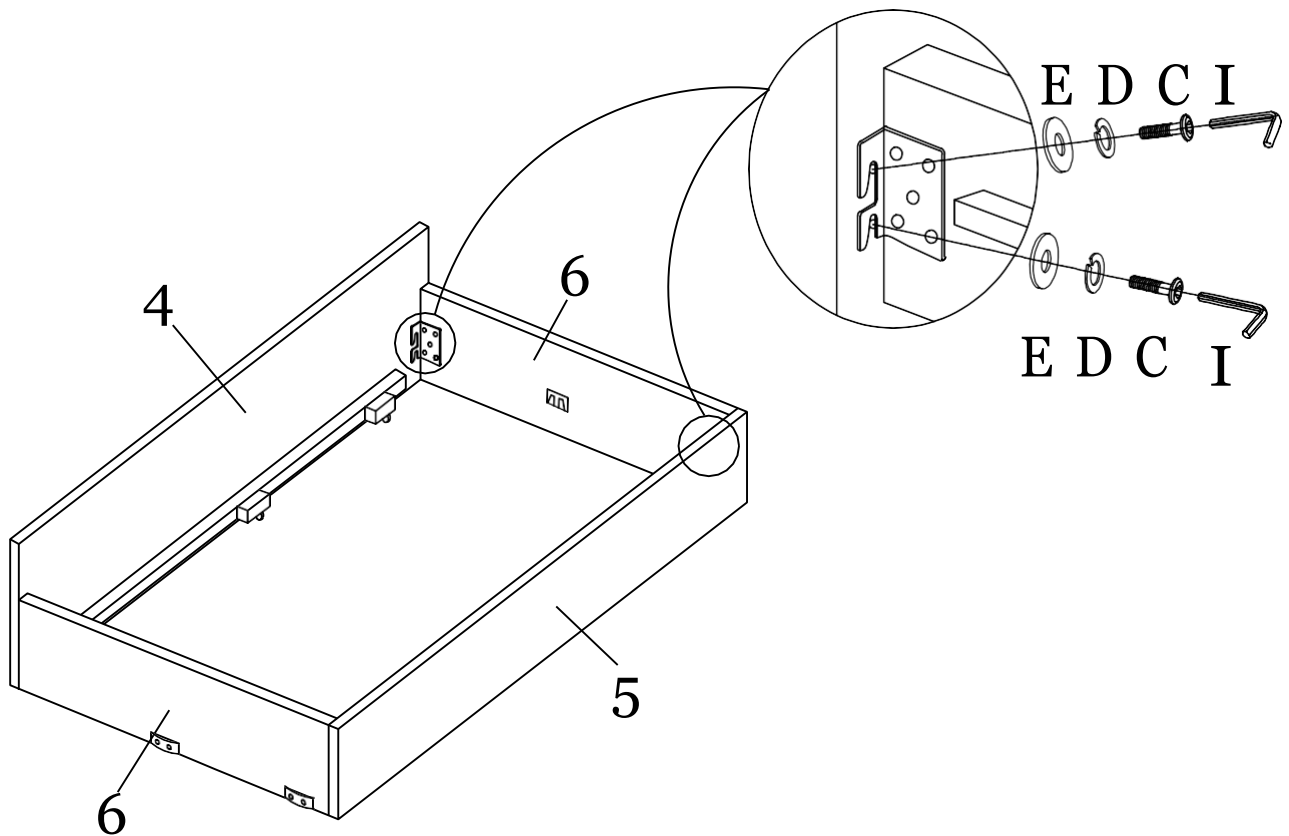


ASSEMBLY INSTRUCTION

STEP 5

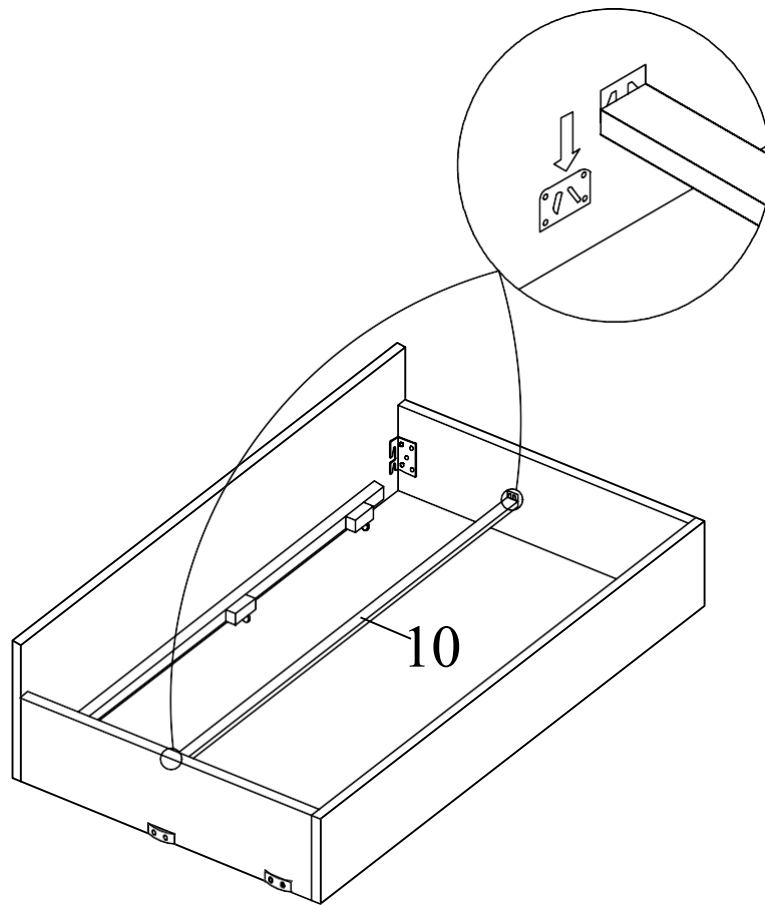


STEP 6

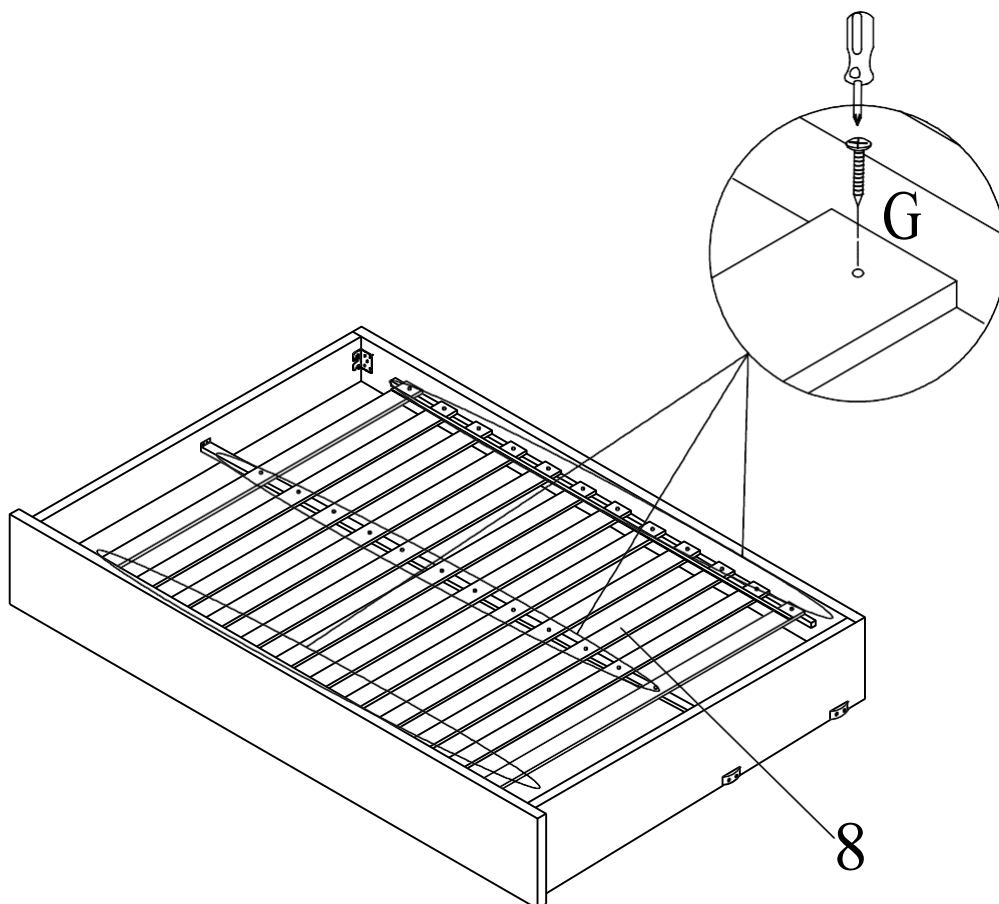


ASSEMBLY INSTRUCTION

STEP 7

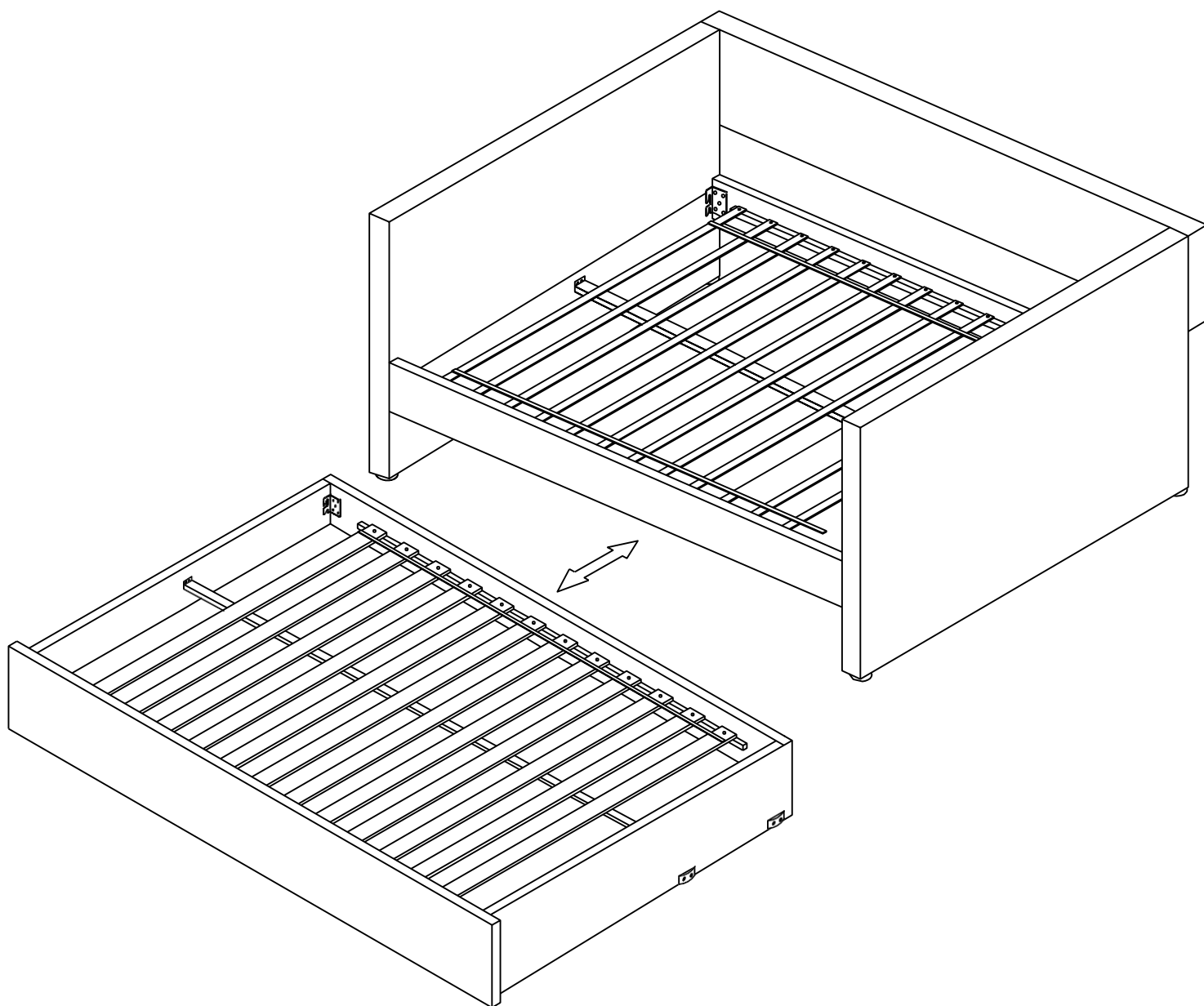


STEP 8



ASSEMBLY INSTRUCTION

Completed



CARE INSTRUCTION FOR POLYESTER:

In order to maintain the original appearance of your polyester furniture, please follow below simple care procedure:

- Avoid exposing furniture directly to sunlight or heating and air conditioning outlets. Exposure to sunlight or heating and air conditioning outlets will fade/damage polyester.
- Wipe gently with a damp soft cloth to remove dust, dirt and any grime build up.
- Hardware may loosen over time. Periodically check to make sure all connections are tight. Re-tighten if necessary