



ASSEMBLY INSTRUCTION

ITEM NO:8317WHT/DGY/BLK-3L

Left Side Corner Sofa (4 pillows)



All K/D parts are stored underneath the seating. Legs & hardware are packed in the box. Please take out for assembly.

Note: Do not use power tools for assembly. Power tools increase the risk of over tightening which lead to splitting or cracking the wood.

COMPONENT LIST

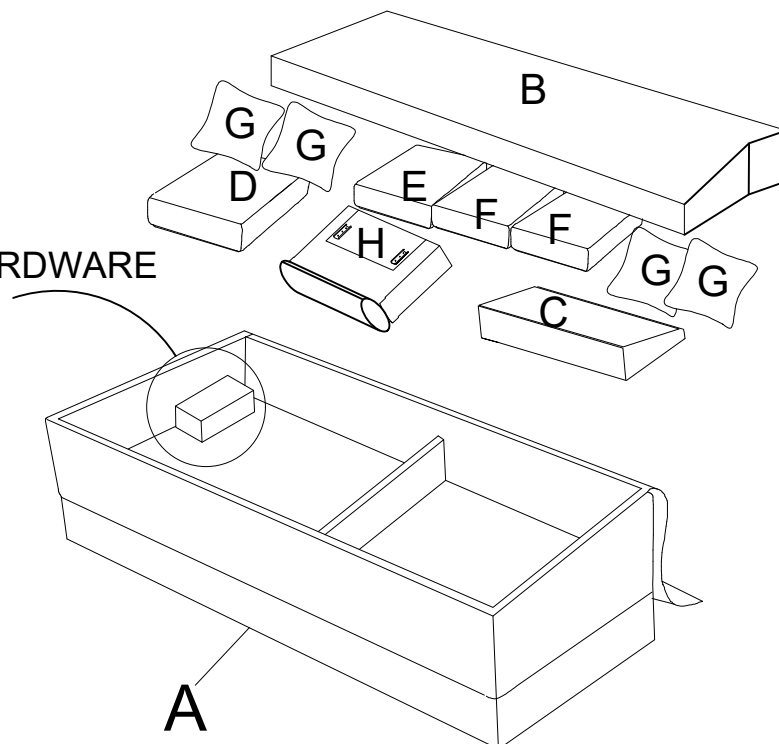
| NO | DRAWING | DESCRIPTION | QTY |
|----|---------|--------------------------|-------|
| A | | SEAT | 1 PC |
| B | | LONG BACKREST | 1 PC |
| C | | RSF SHORT BACKREST | 1 PC |
| D | | LONG BACK CUSHION | 1 PC |
| E | | RSF BACK CUSHION | 1 PC |
| F | | BACK CUSHION | 2 PCS |
| G | | SQUARE PILLOW (19"x 19") | 4 PCS |
| H | | LSF ARMREST | 1 PC |

| NO | DRAWING | DESCRIPTION | QTY |
|----|---------|---|-------|
| 1 | | MAL BRACKET (6"x1-1/3") | 4 PCS |
| 2 | | HEX NUT | 2 PCS |
| 3 | | SCREW (M4 x L 45mm) | 8 PCS |
| 4 | | WASHER | 2 PCS |
| 5 | | BOLT (Ø10mm x L 95mm) | 2 PCS |
| 6 | | ROUND PLASTIC FEET (Ø2" x H 2") | 4 PCS |
| 7 | | ALLEN WRENCH | 1 PCS |
| 8 | | RECTANGLE PLASTIC FEET (6" x 2" x H 2") | 2 PCS |

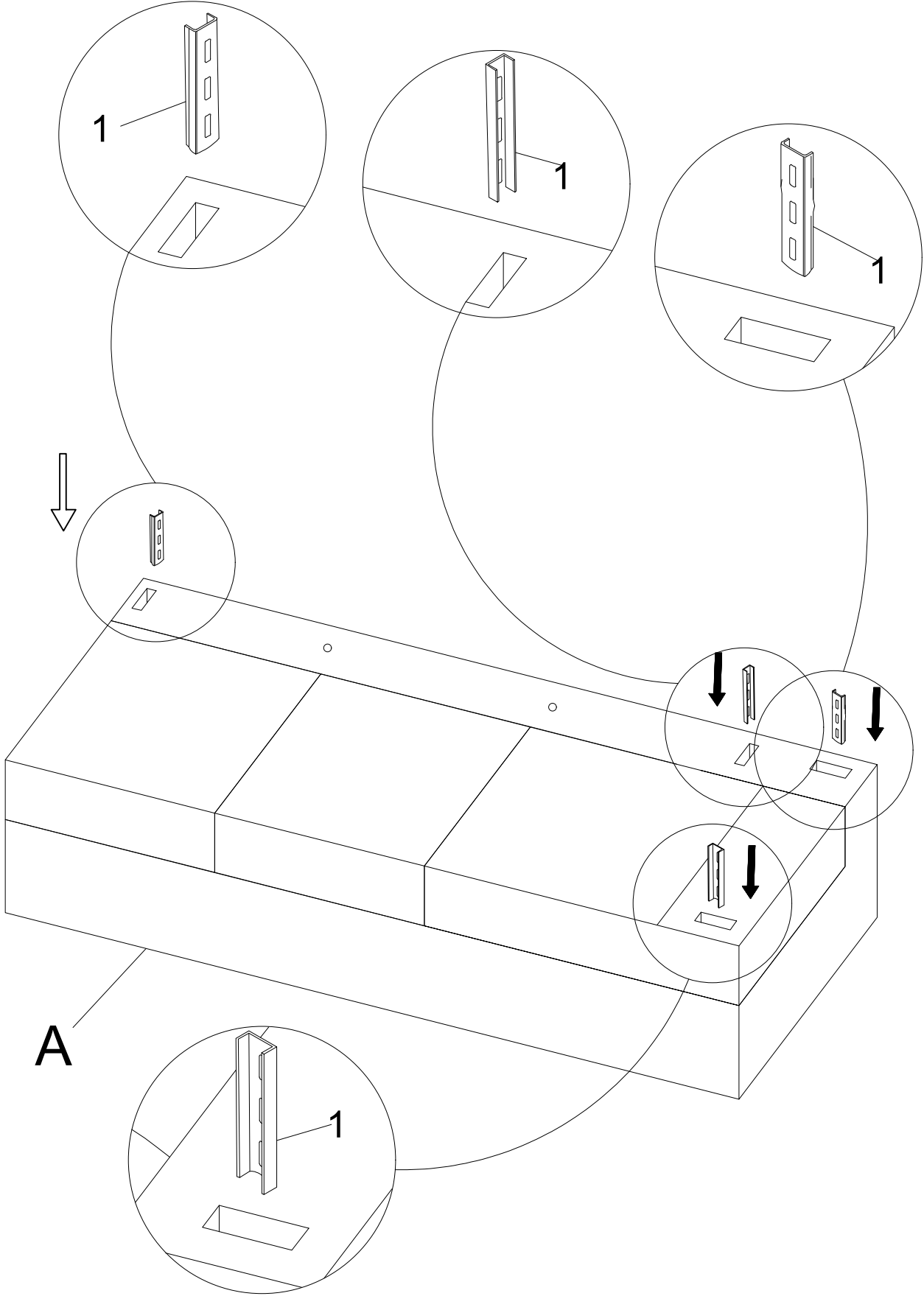


SCREWDRIVER
(This is not included the box)

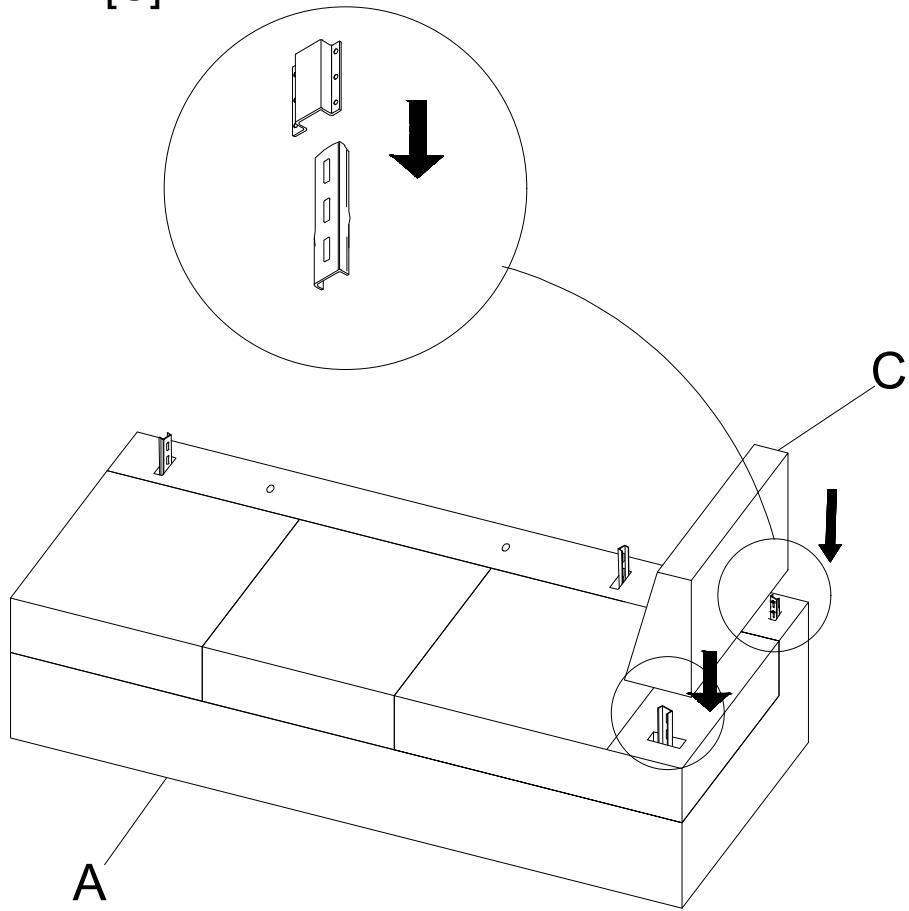
LEGS & HARDWARE



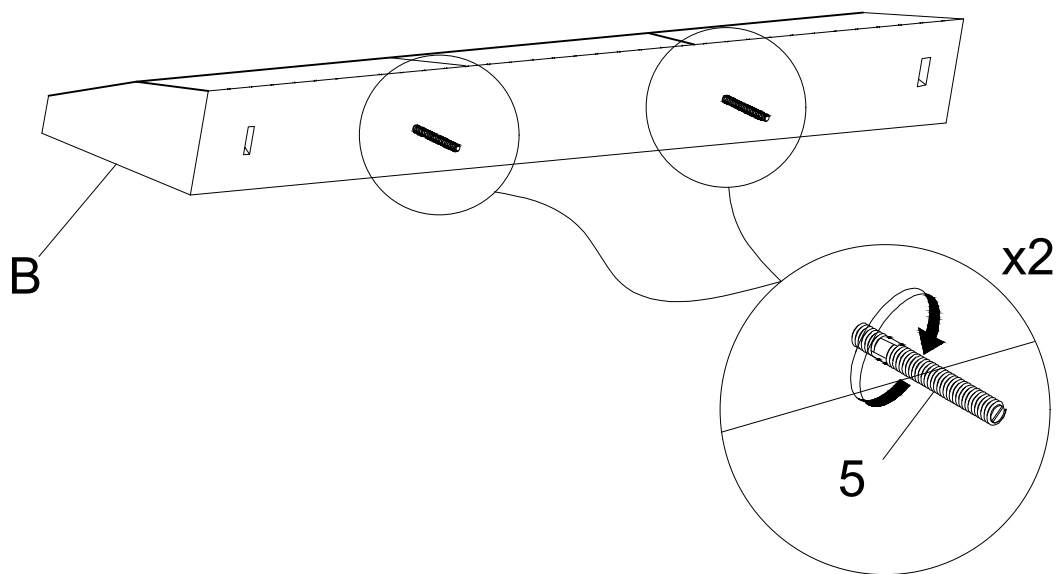
Step 1: Insert the stent into the hole.



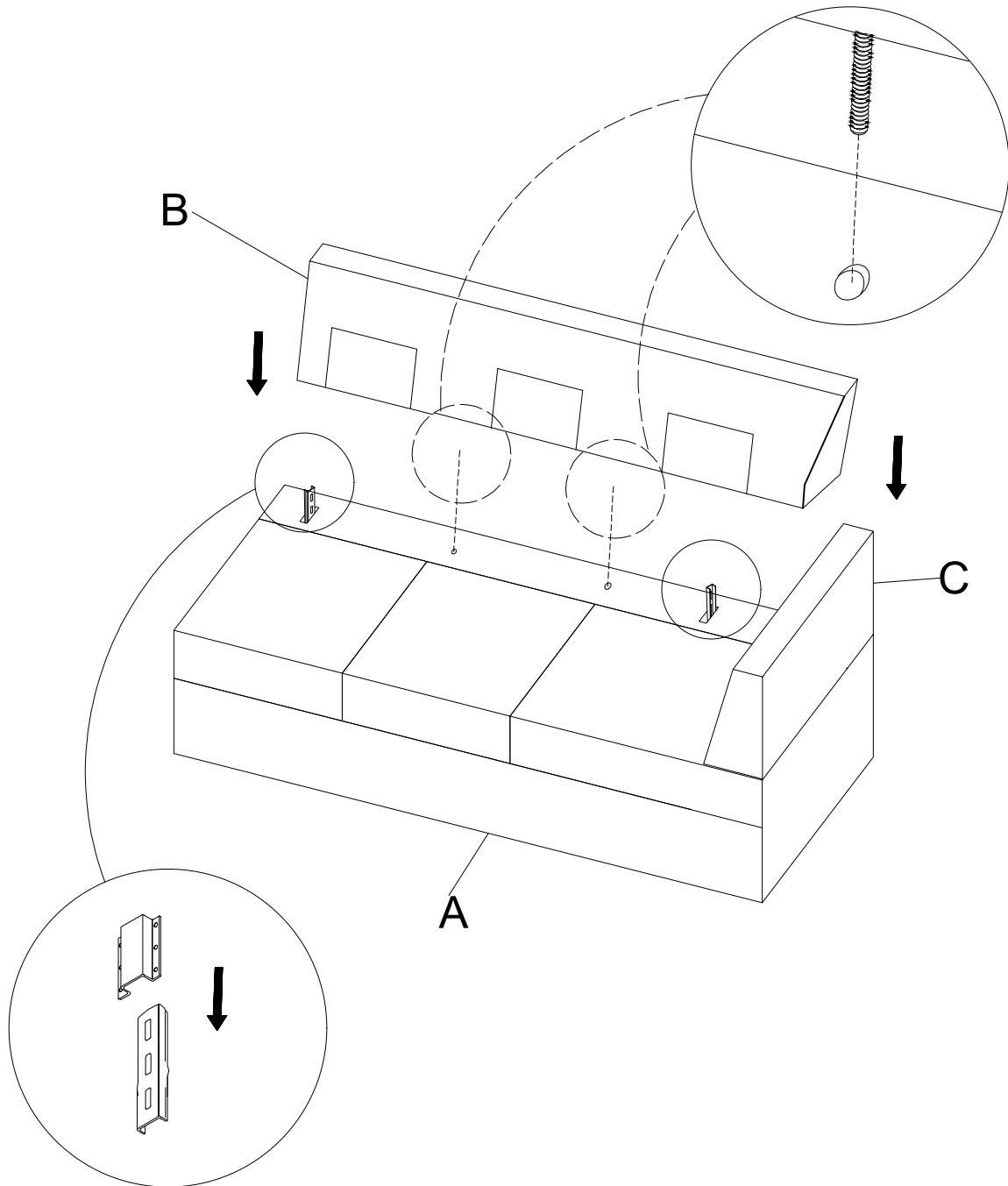
Step 2: Insert [C] backrest



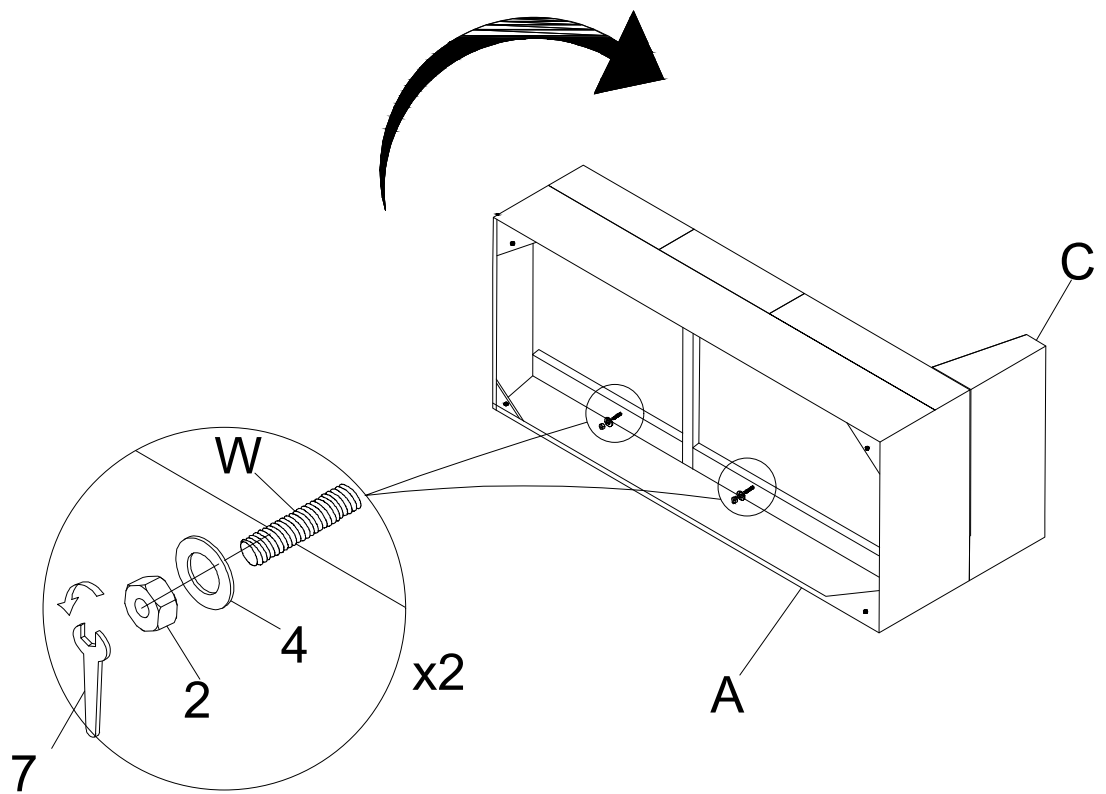
Step 3: Insert the bolt



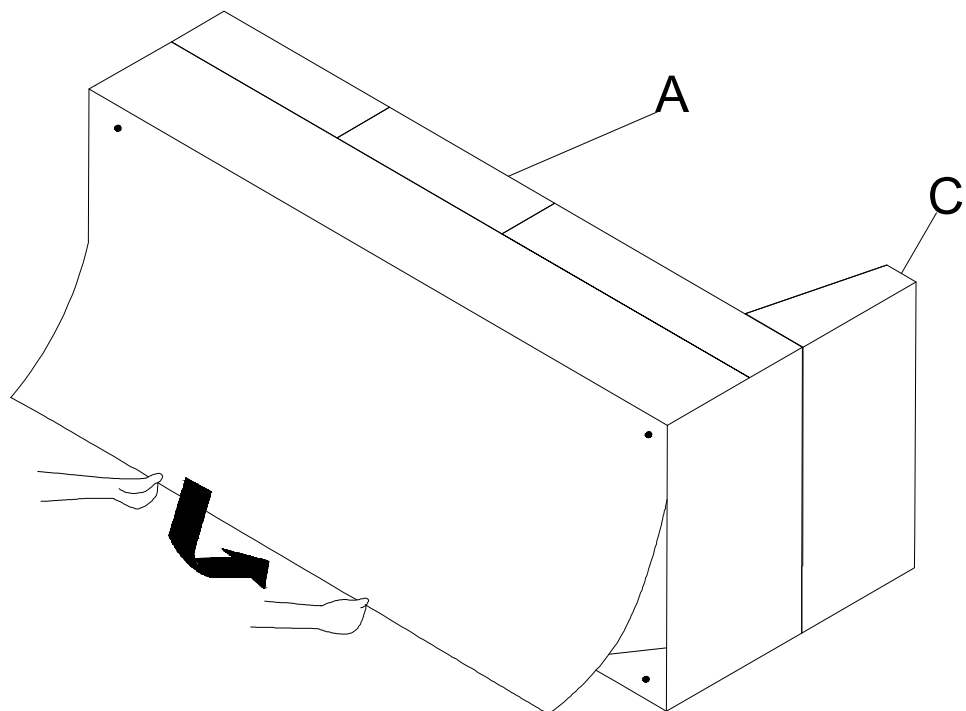
Step 4: Align the backrest with the holes and the bracket



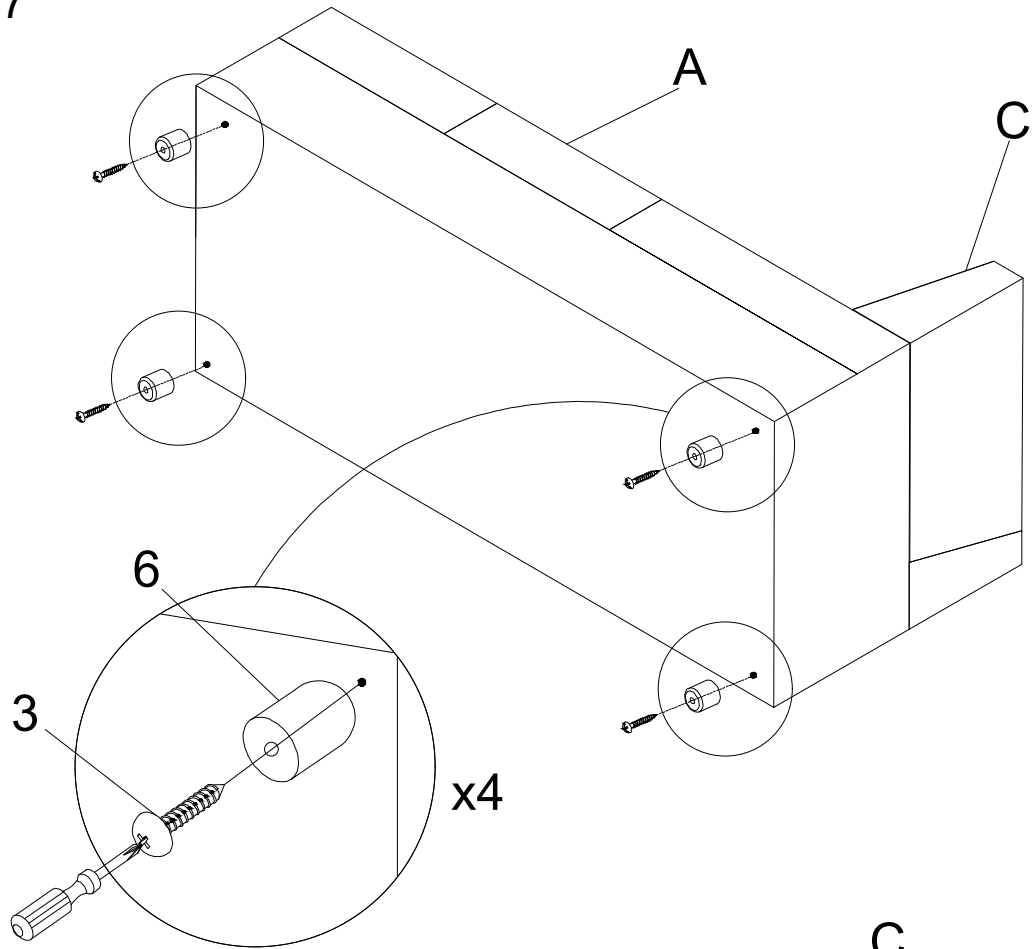
STEP 5



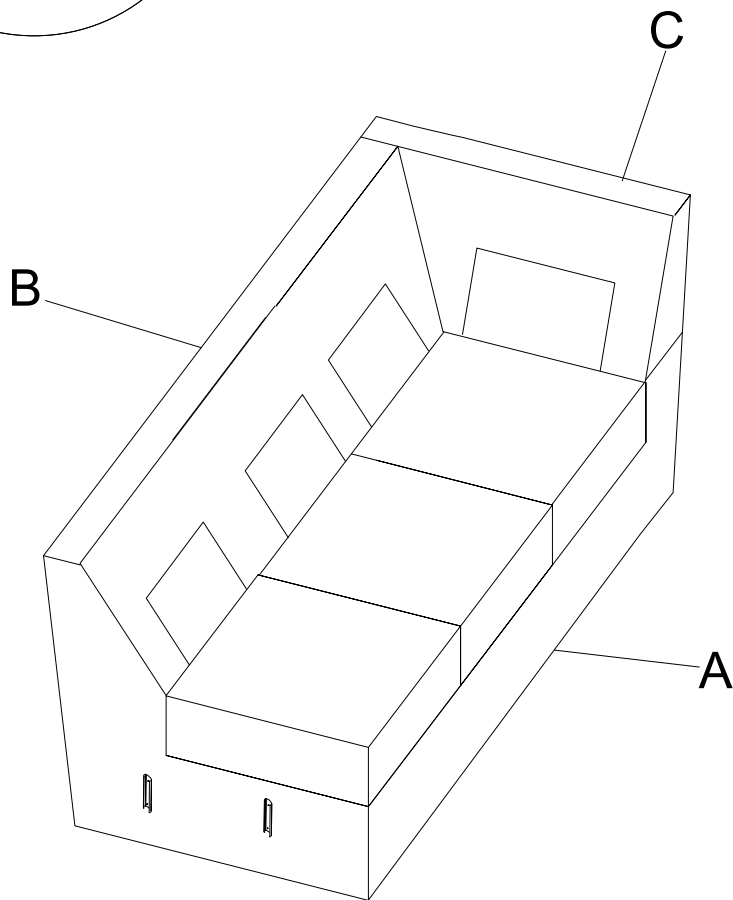
STEP 6



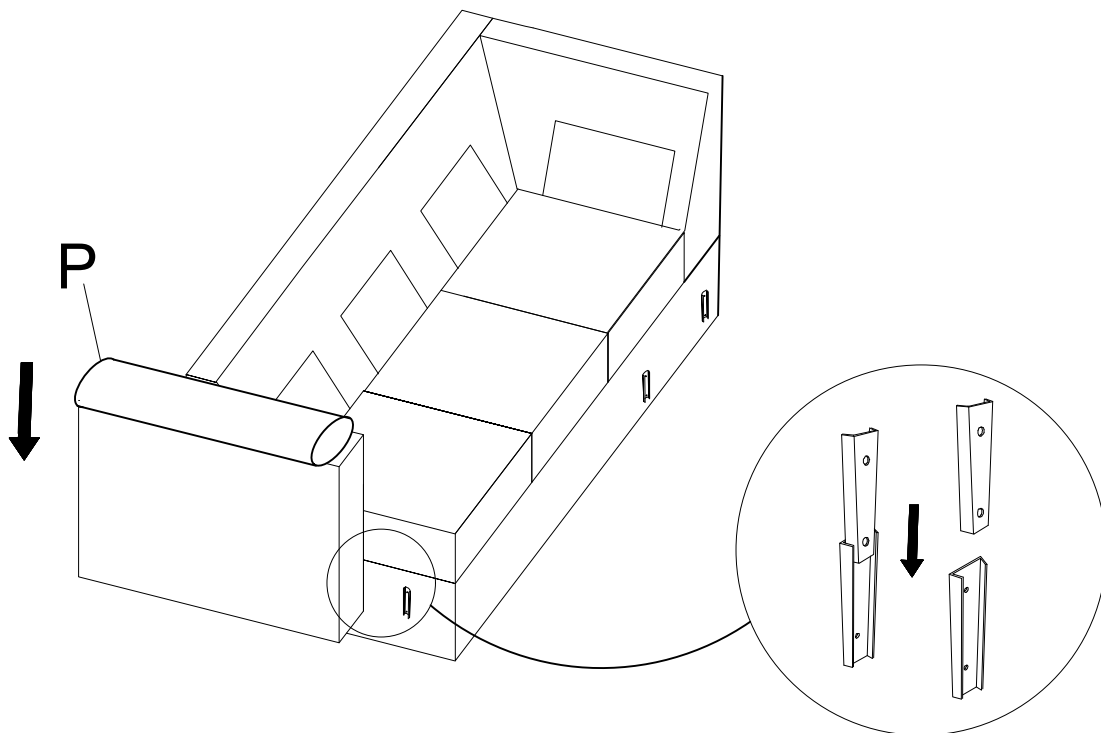
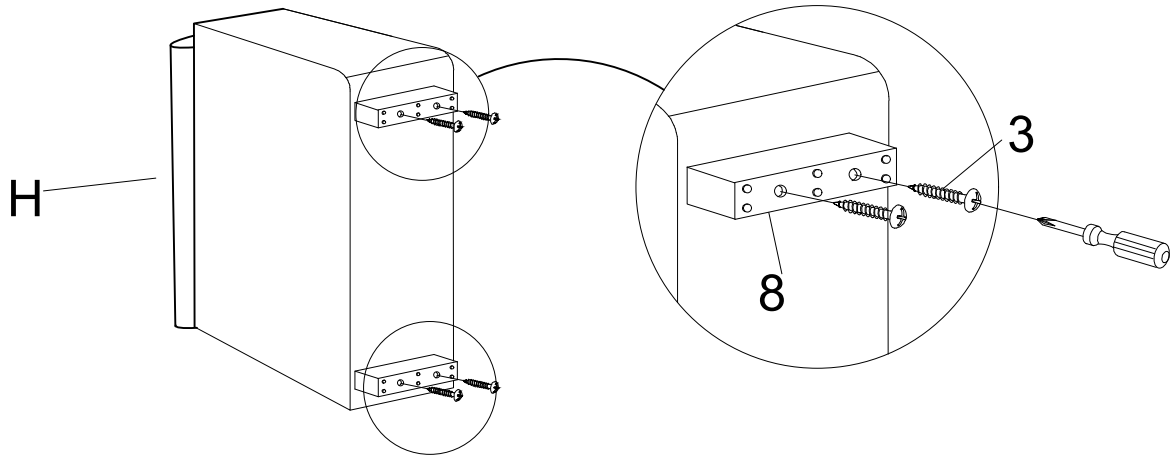
STEP 7

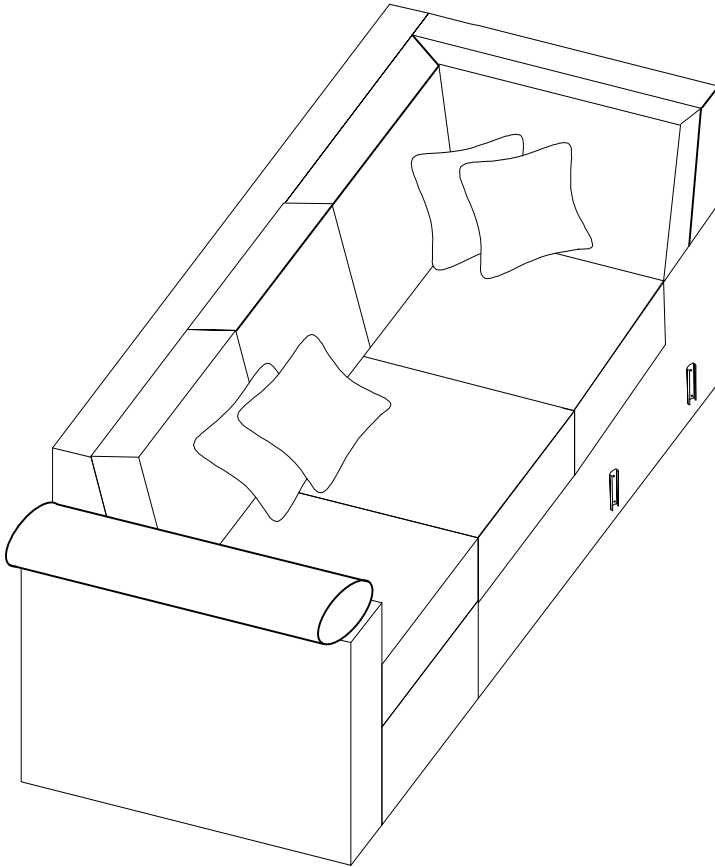
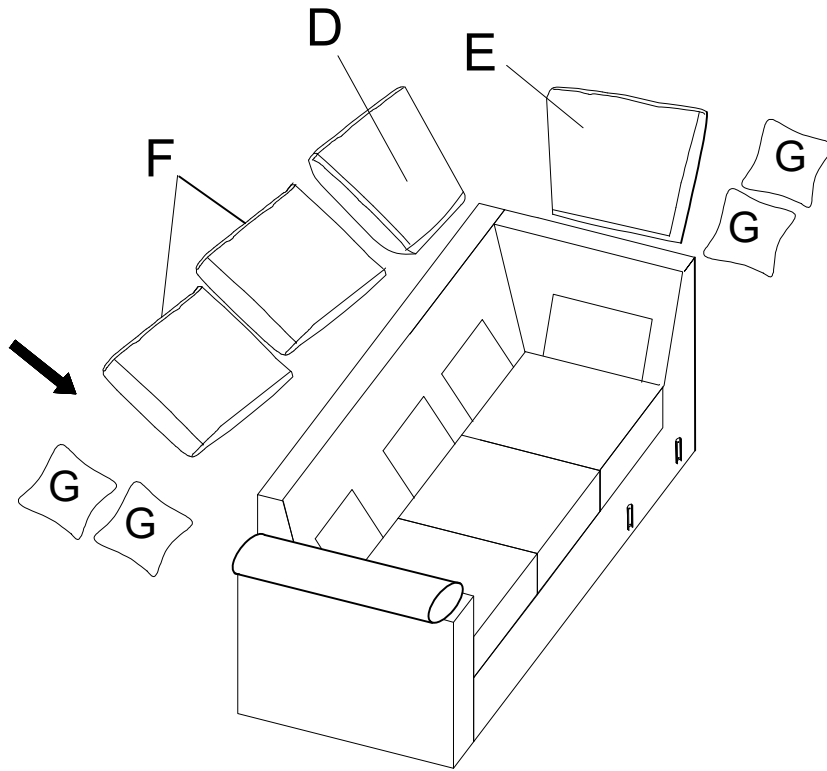


STEP 8

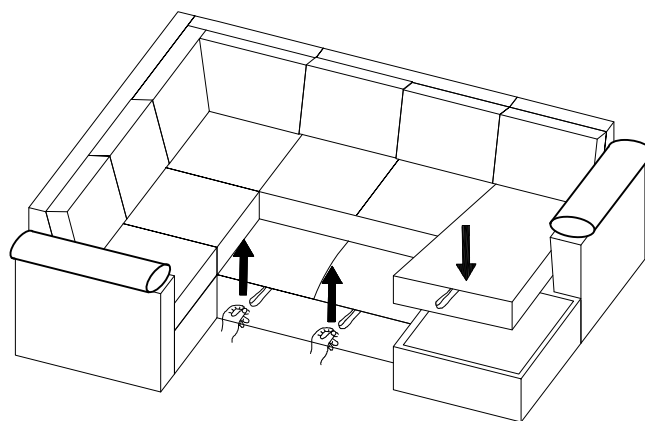
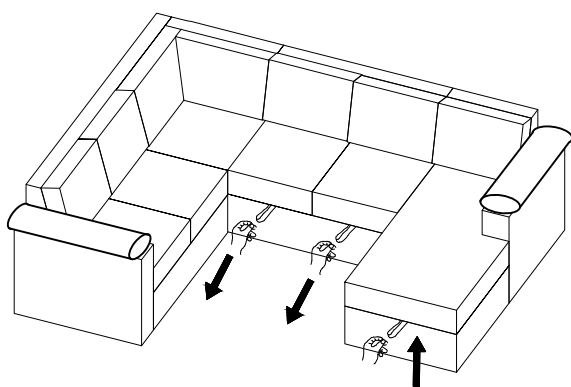
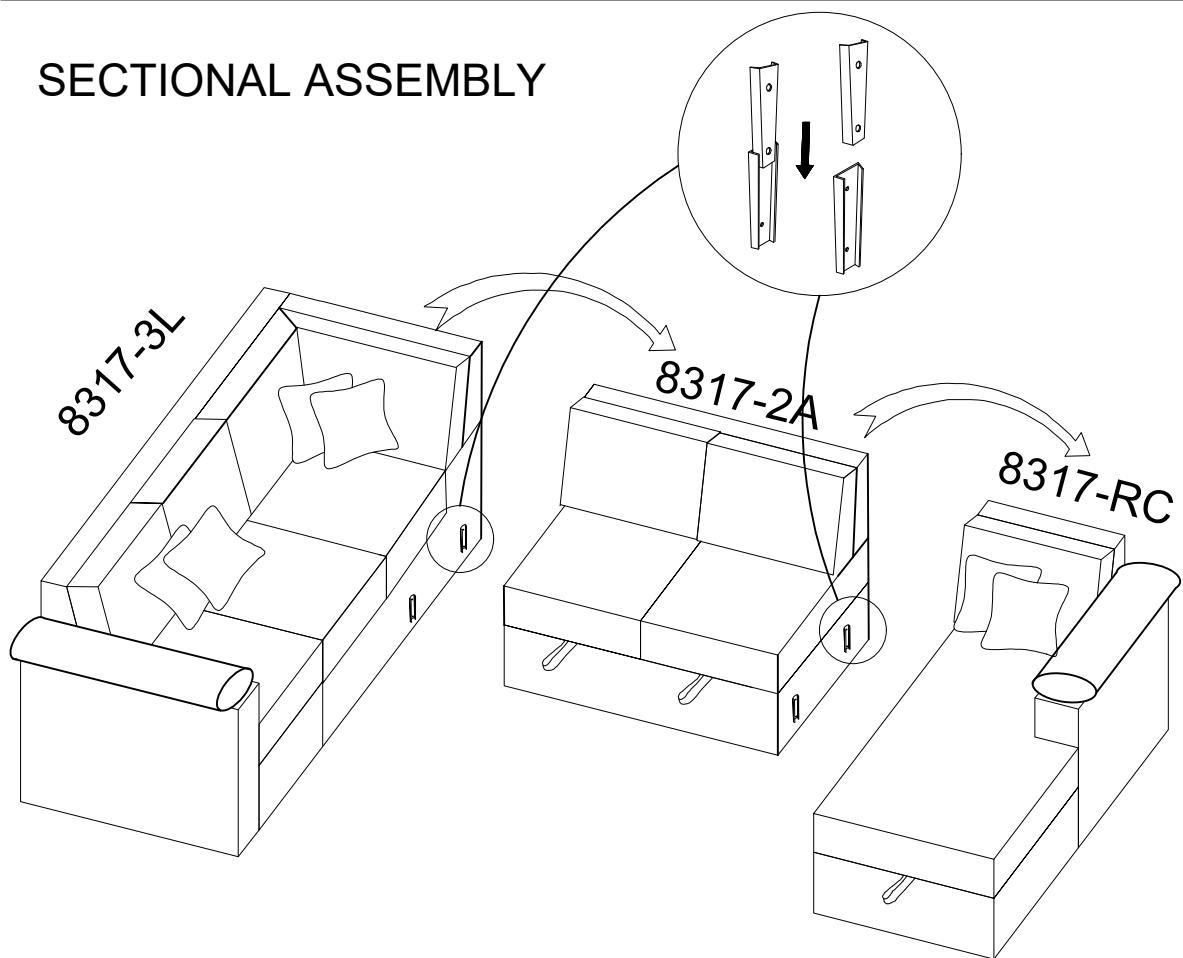


STEP 9

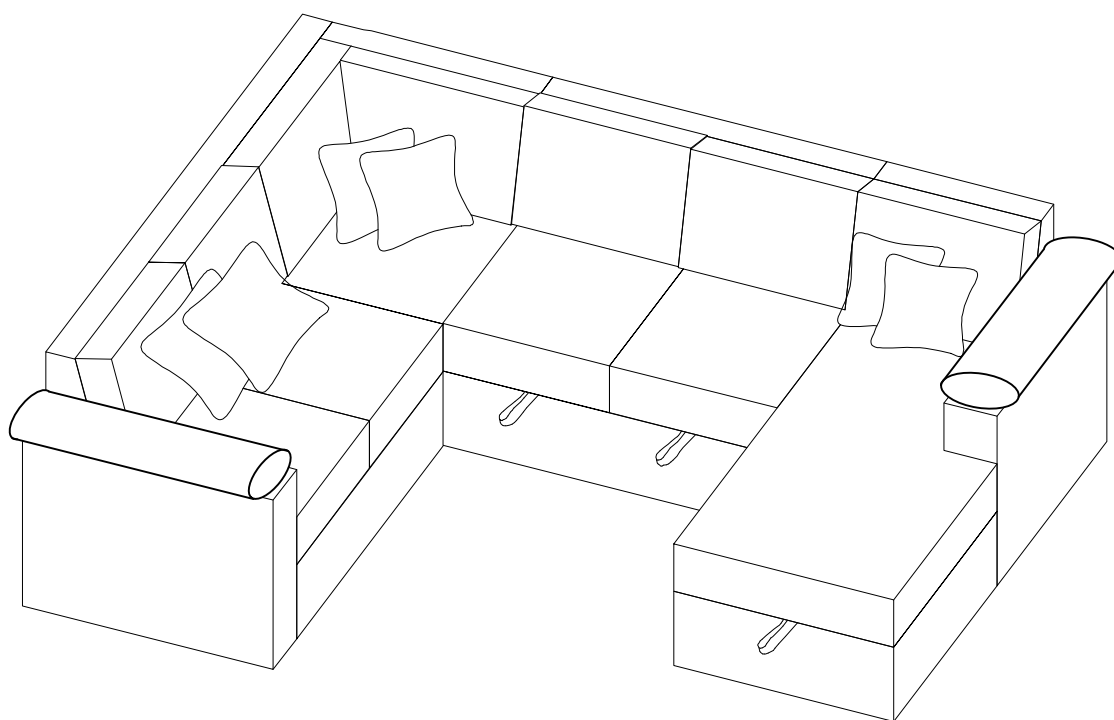




SECTIONAL ASSEMBLY



COMPLETED



Care Instruction for Corduroy Furniture:

In order to maintain the original appearance of your Corduroy, please follow below simple care procedures:

- . Avoid exposing furniture directly to sunlight or heating and air conditioning outlets. Sunlight and or exposure to heating and air conditioning outlets will fade/damage Corduroy.
- . Vacuum or wipe with a soft cloth to remove dust.
- . Hardware may loosen over time. Periodically check to make sure all connection are tight, Re-tighten if necessary.



For items use on wooden floor, hard surfaces or carpets, it is recommended to Install protective pads under all legs and supports to avoid/prevent from damages/scratches and discoloration.