



ASSEMBLY INSTRUCTION

ITEM NO:8317WHT/DGY/BLK-RC

**Right Side Chaise with Hidden Storage
(2 pillows)**



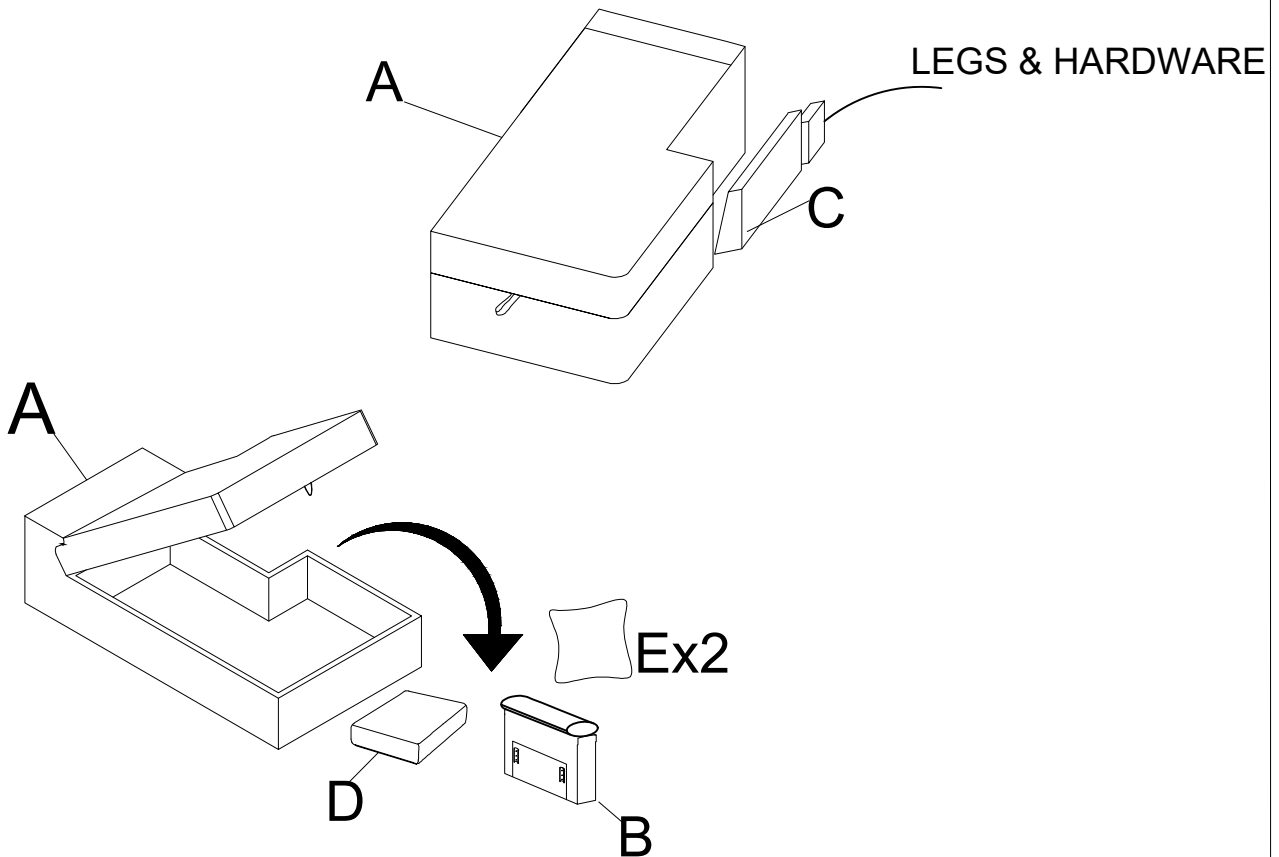
The armrest, backrest, pillows are stored in the chaisestorage. Back cushion is put in the side of box. The legs and hardware are stored in the box.

Note: Do not use power tools for assembly. Power tools increase the risk of over tightening which lead to splitting or cracking the wood.

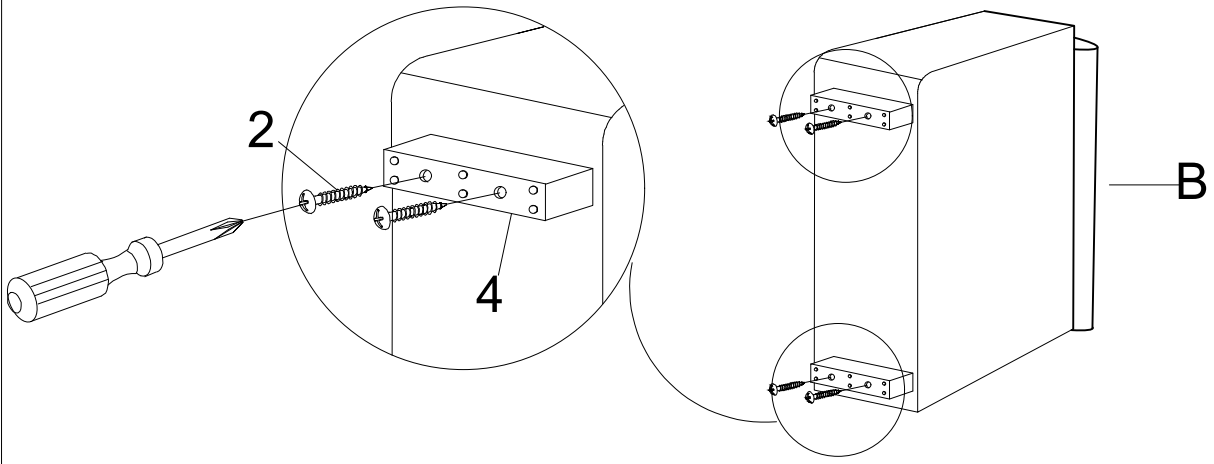
COMPONENT LIST

NO	DRAWING	DESCRIPTION	QTY
A		SEAT	1 PC
B		RSF ARMREST	1 PC
C		BACK REST	1 PC
D		BACK CUSHION	1 PC
E		SQUARE PILLOW (19"x 19")	2 PCS

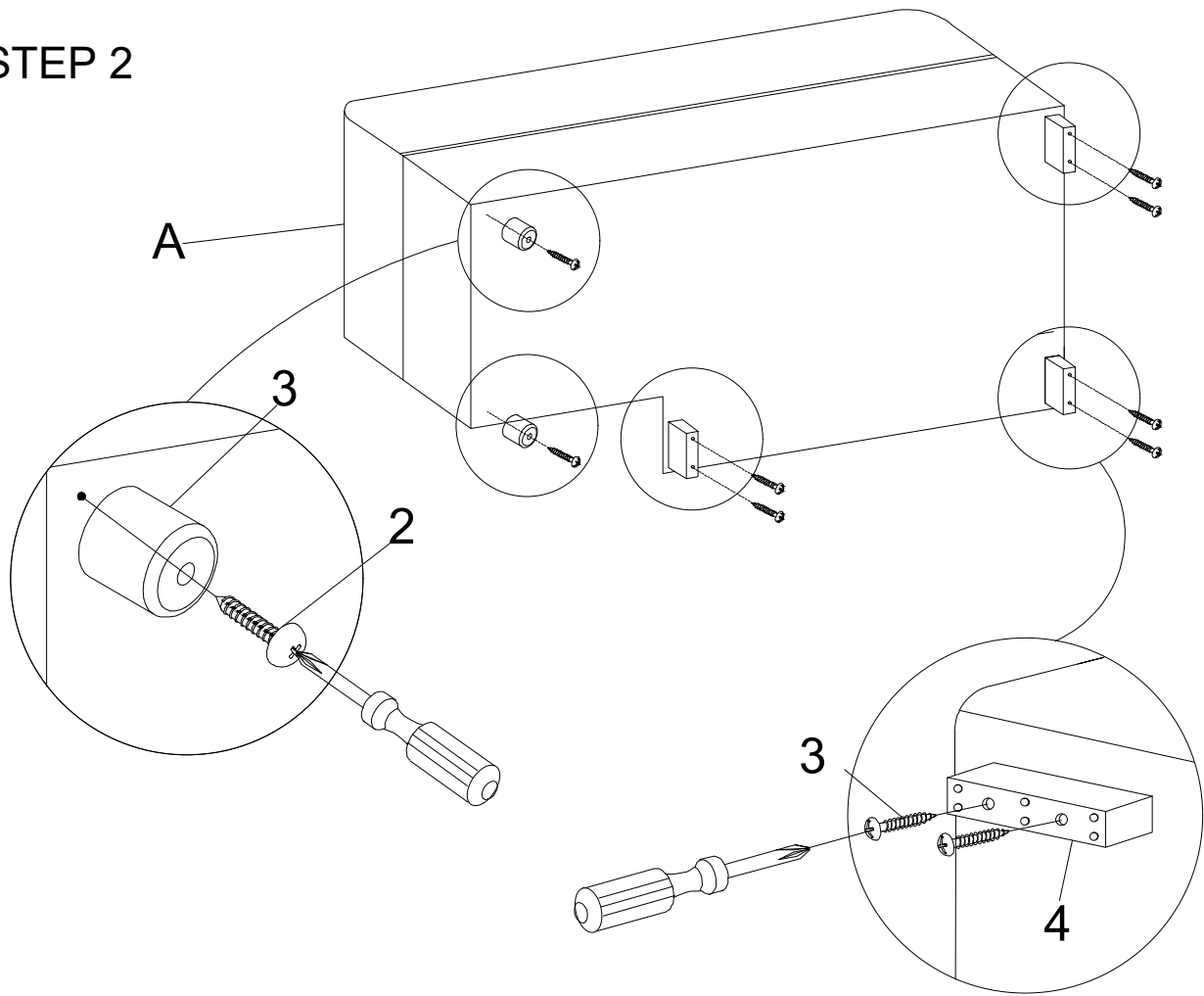
NO	DRAWING	DESCRIPTION	QTY
1		MAL BRACKET (6"x1-1/3")	2 PCS
2		SCREW (M4 x L 45mm)	12 PCS
3		ROUND PLASTIC FEET (Ø2" x H 2")	2 PCS
4		RECTANGLE PLASTIC FEET (6" x 2" x H 2")	5 PCS
		SCREWDRIVER (This is not included the box)	



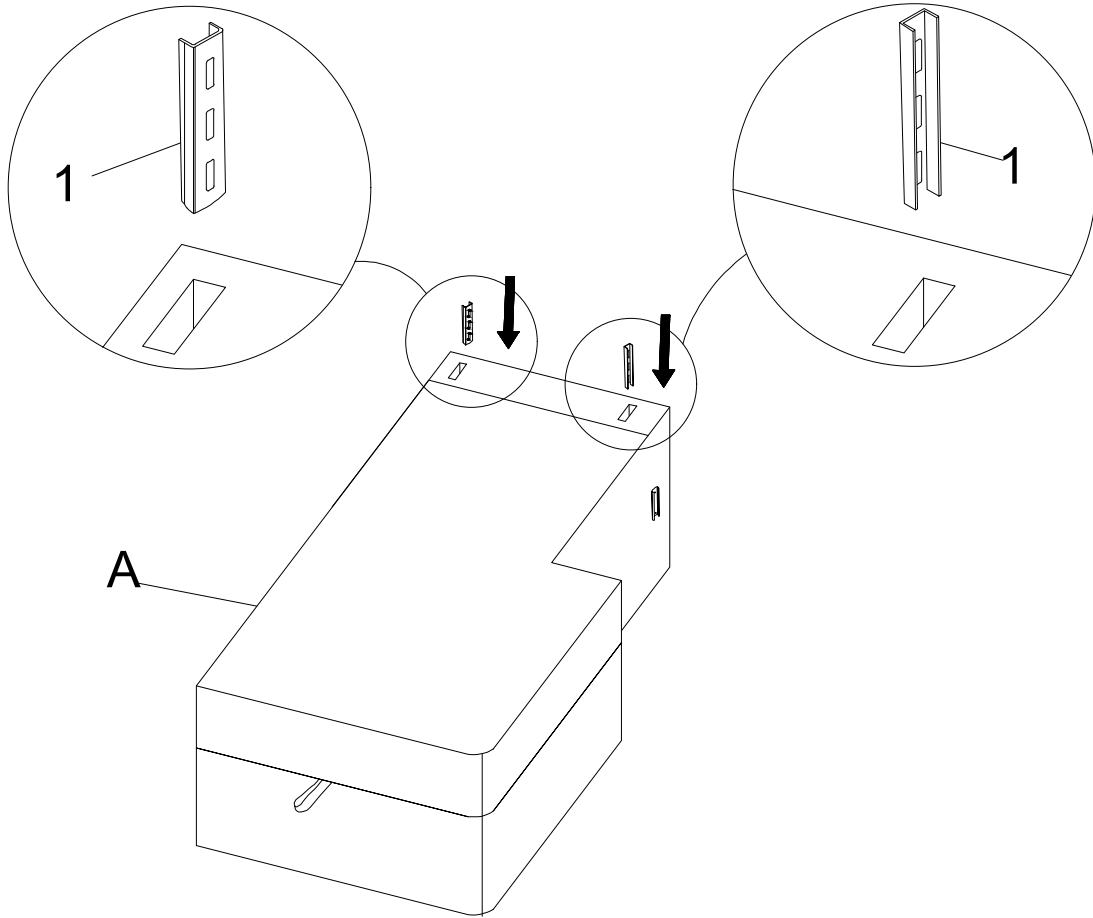
STEP 1



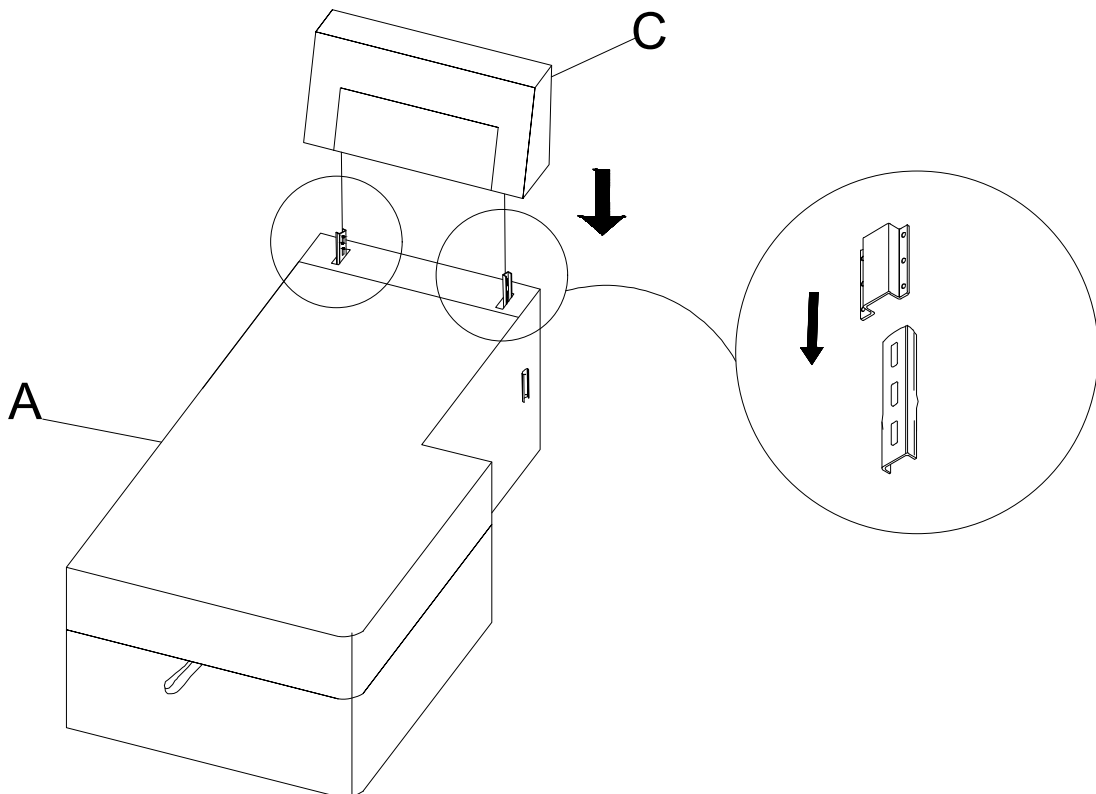
STEP 2



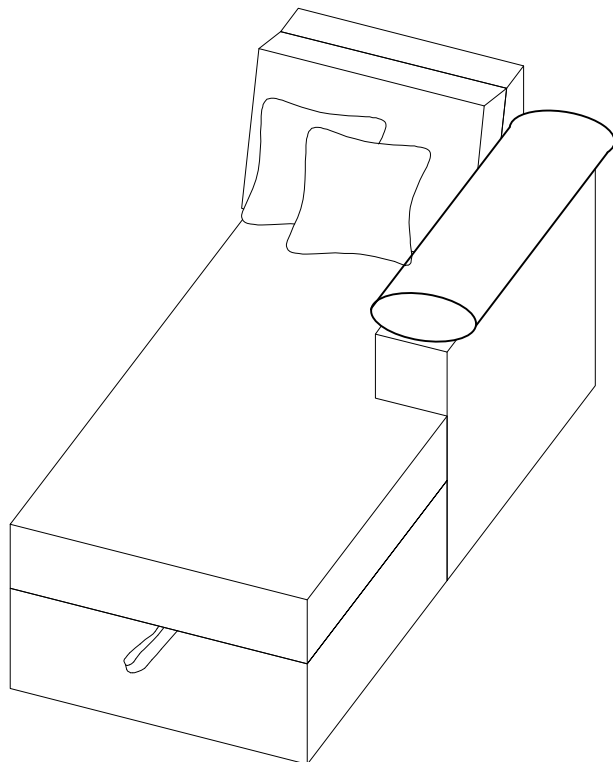
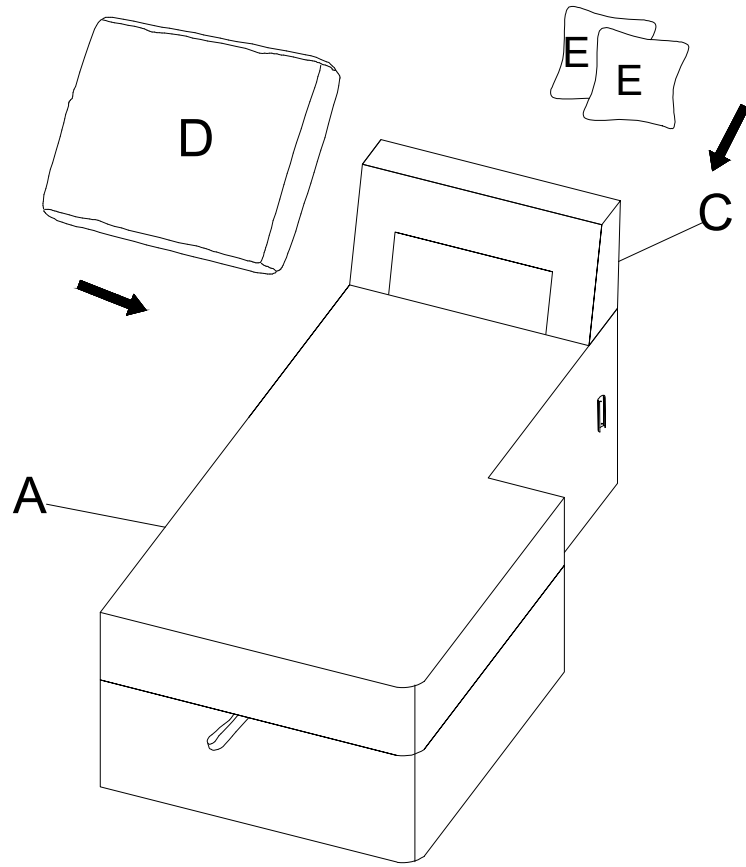
STEP 3



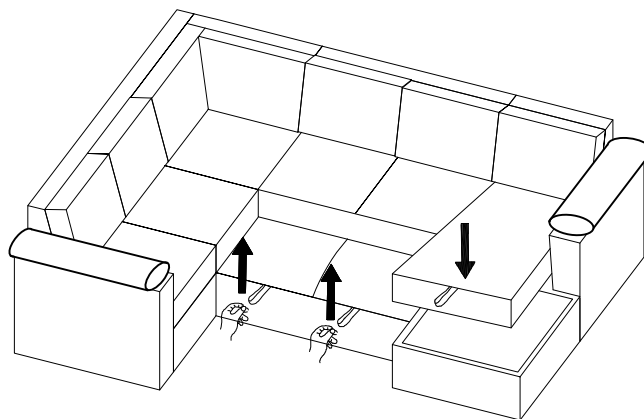
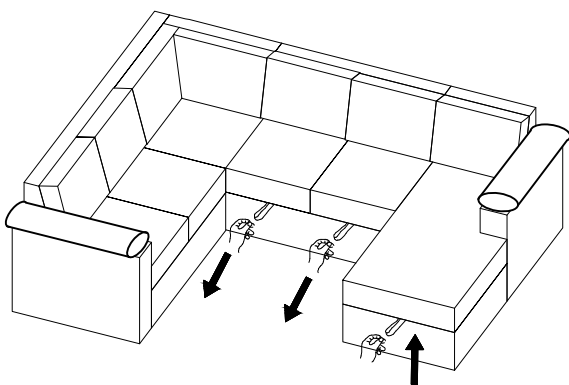
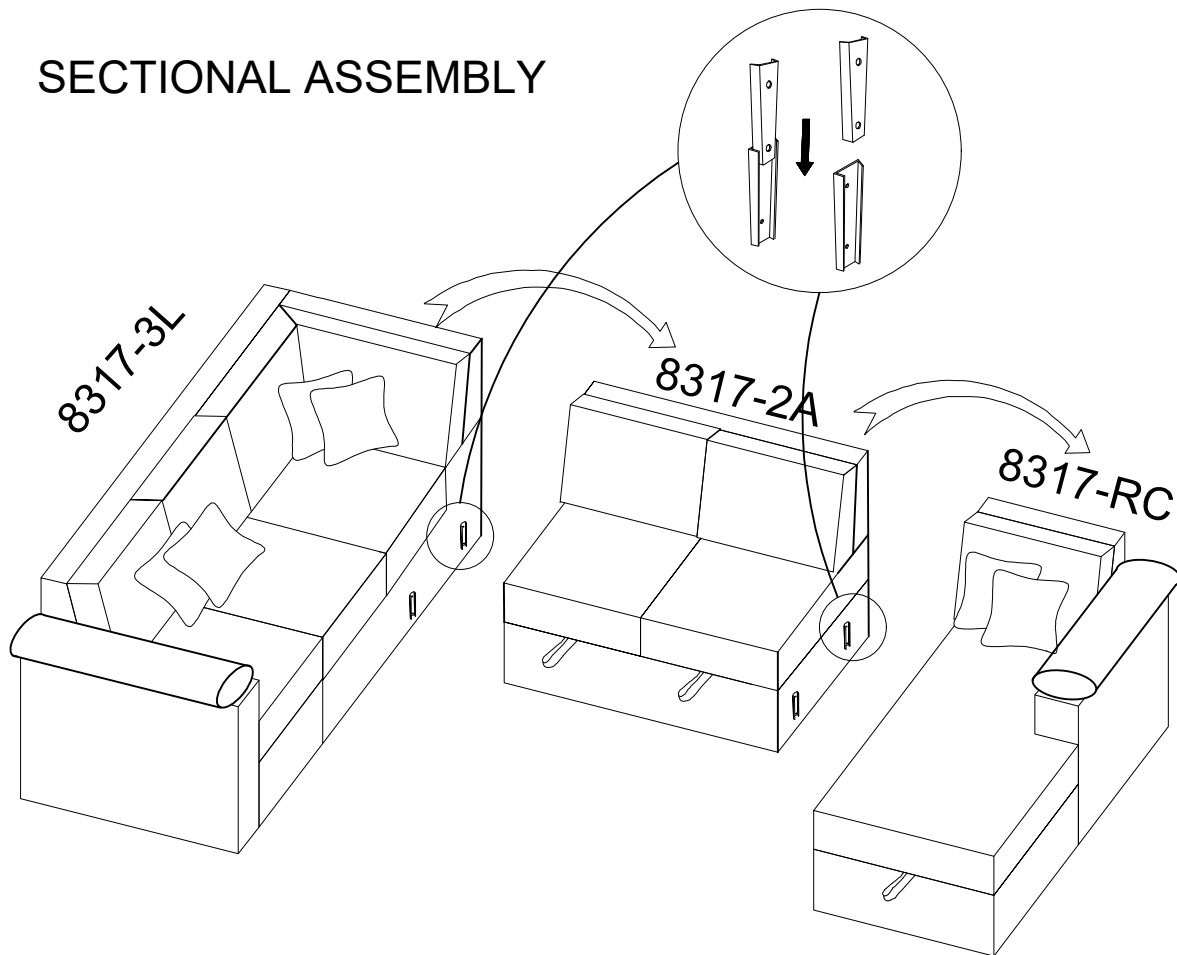
STEP 4



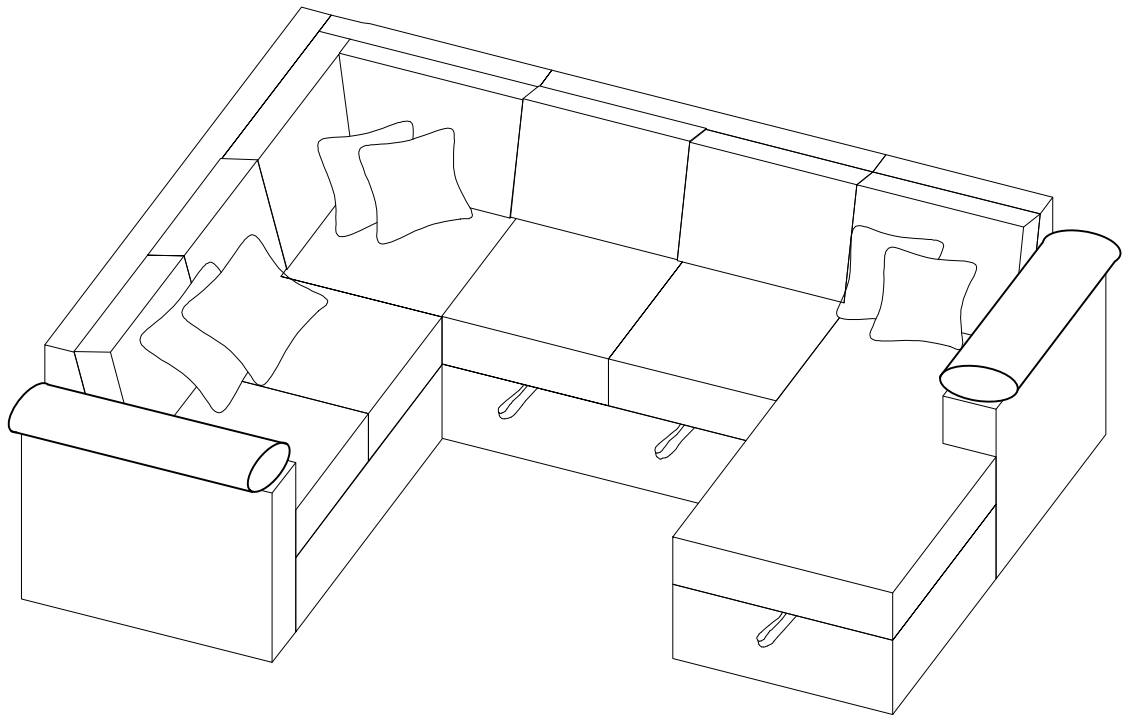
STEP 5



SECTIONAL ASSEMBLY



COMPLETED



Care Instruction for Corduroy Furniture:

In order to maintain the original appearance of your Corduroy, please follow below simple care procedures:

- . Avoid exposing furniture directly to sunlight or heating and air conditioning outlets. Sunlight and or exposure to heating and air conditioning outlets will fade/damage Corduroy.
- . Vacuum or wipe with a soft cloth to remove dust.
- . Hardware may loosen over time. Periodically check to make sure all connection are tight, Re-tighten if necessary.



For items use on wooden floor, hard surfaces or carpets, it is recommended to Install protective pads under all legs and supports to avoid/prevent from damages/scratches and discoloration.