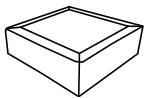

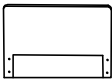






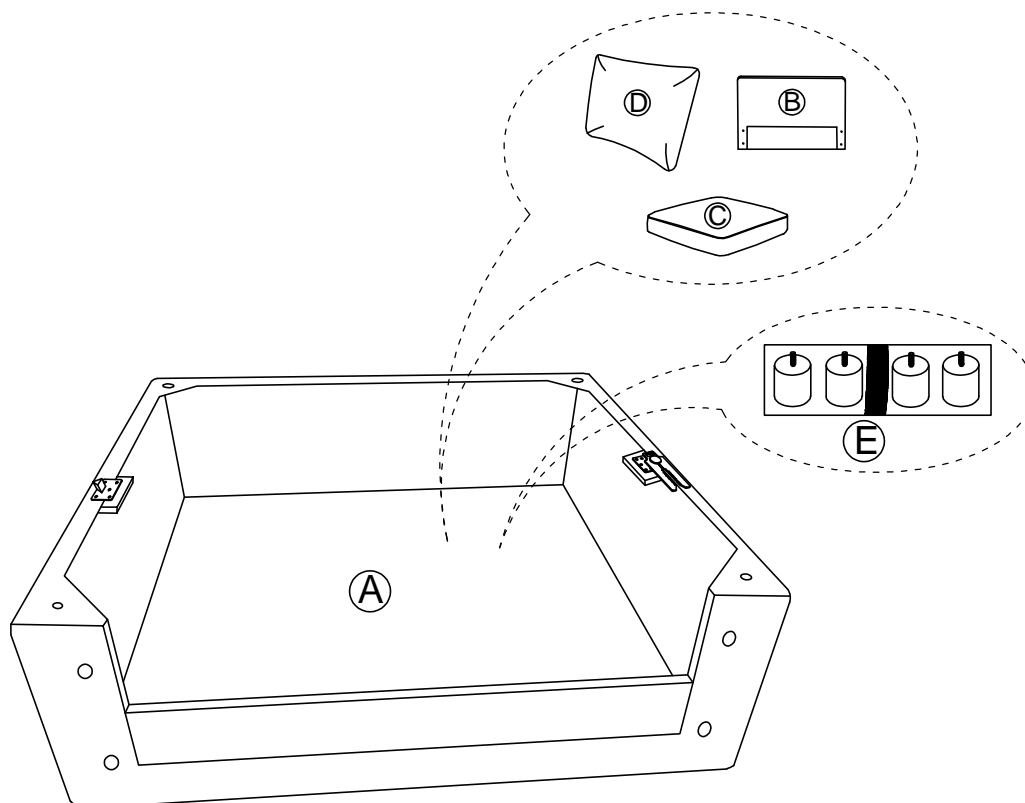


ASSEMBLY INSTRUCTION

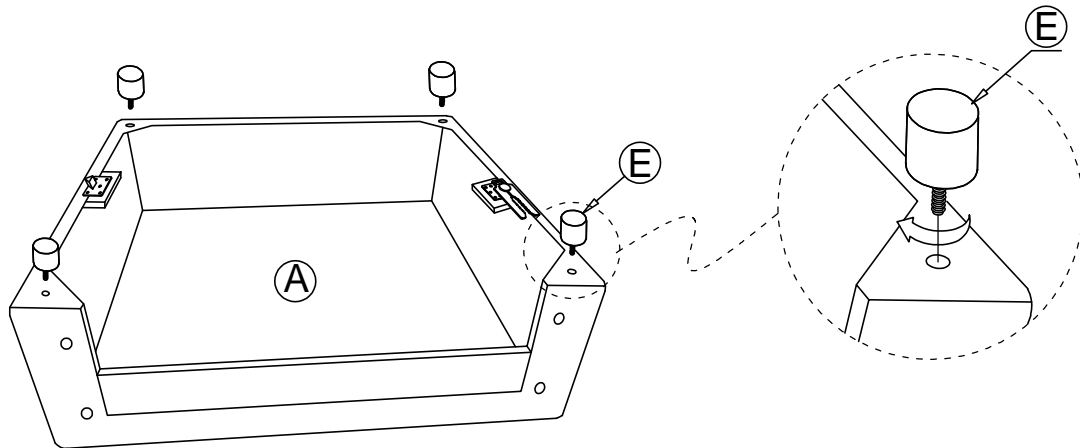
ITEM NO: 8338BE-AC/ 8338TG-AC ARMLESS CHAIR

NO.	PARTS LIST	QTY	DESCRIPTION	NO.	PARTS LIST	QTY	DESCRIPTION
A		1	Seat Frame	F		4	Allen Bolt ØM8*50
B		1	Back Rest	G		4	Lock Washer M8
C		1	Seat Cushion	H		4	Flat Washer M8*Ø22*1.5mm
D		1	Back Cushion	I		1	Allen Key M5*100*50mm
E		4	Wooden Leg	K			

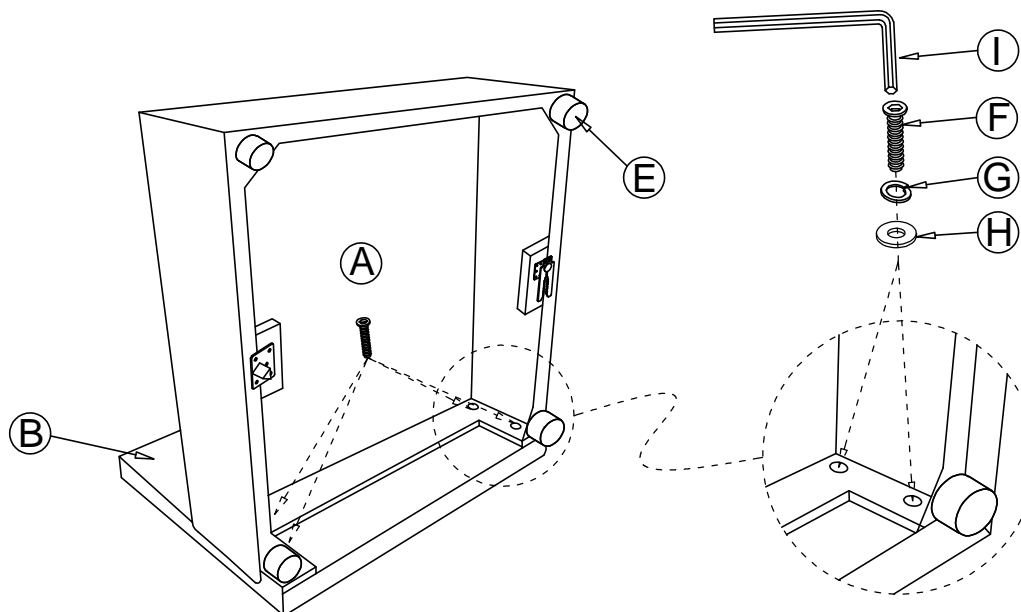
STEP 1: Take out Back Rest(B), Seat Cushion(C), Back Cushion(D), Wooden Leg(E), Allen Bolt(F), Lock Washer(G), Flat Washer(H), Allen Key(I).



STEP 2: Align Wooden Leg (E) onto the bottom of the Seat Frame(A), rotate to tighten it.



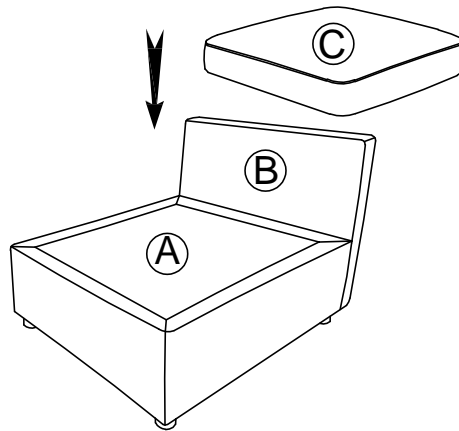
STEP 3: Place seat cushion on the seat frame.
Match holes of Back Rest(B) and Seat Frame(A) correctly. Serew Allen Bolt(F) Lock Washer(G), and Flat Washer(H) with Allen Key(I).



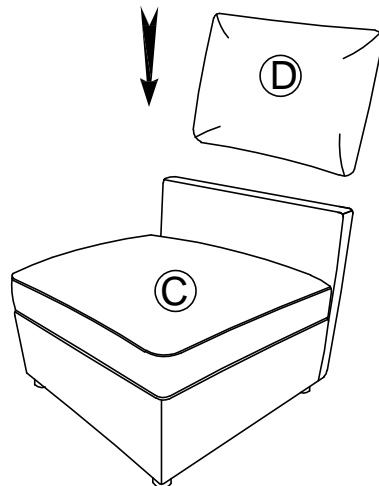
ASSEMBLY INSTRUCTION

ITEM NO: 8338BE-AC/ 8338TG-AC ARMLESS CHAIR

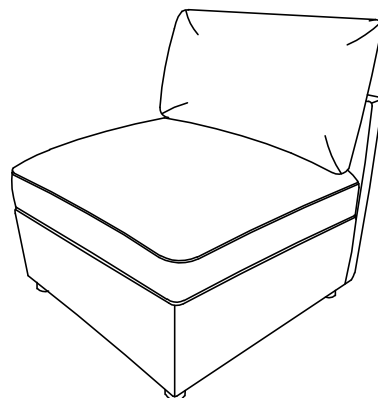
STEP 4: Put Seat Cushion(C) on the Seat Frame(A).



STEP 5: Put Back Cushion(D) on Seat Cushion(C).



STEP 6: Completed



CARE INSTRUCTION FOR FABRIC FURNITURE



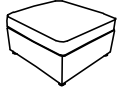
In order to maintain the original appearance of your fabric furniture, please follow below simple care procedures.

°Avoid exposing furniture directly to sunlight or heating and air conditioning outlets. Exposure to sunlight or heating and air conditioning outlets will fade/damage fabric.

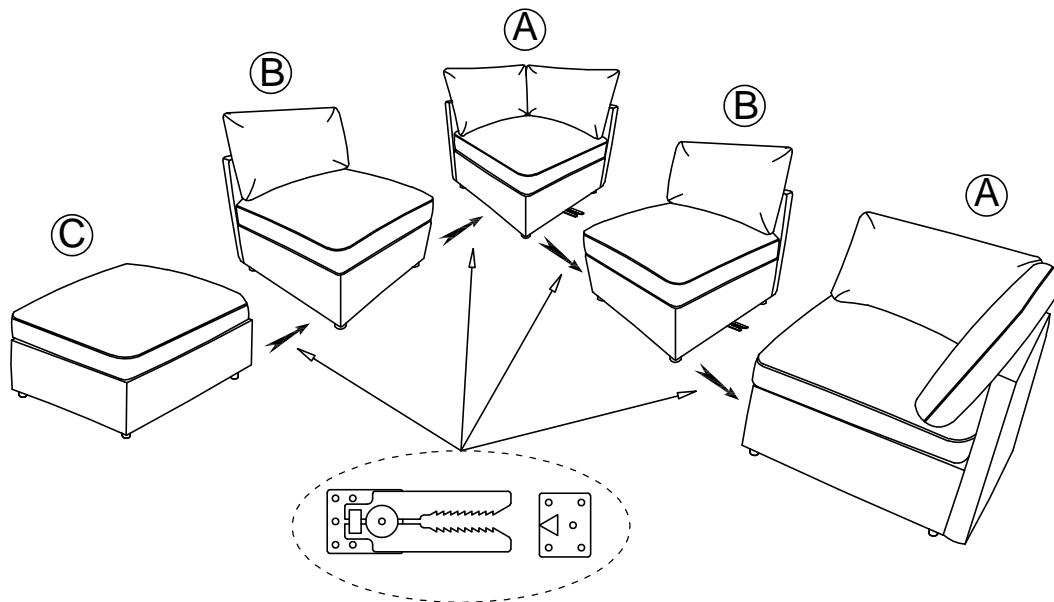
°Wipe gently with a damp soft cloth to remove dust, dirt and any grime build up.

ASSEMBLY INSTRUCTION

ITEM NO: 8338BE-AC/ 8338TG-AC ARMLESS CHAIR

NO.	PARTS LIST	QTY	DESCRIPTION
A		2	CR-Corner Seat
B		2	AC-Armless Chair
C		1	4-Ottoman

STEP 8: Sectional connection by placing (B) into piece (A) Continue sectional connection with piece (C) and (B) the same method.



STEP 9: Completed

