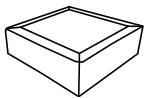

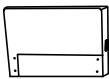

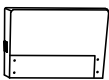



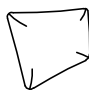

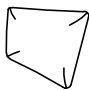
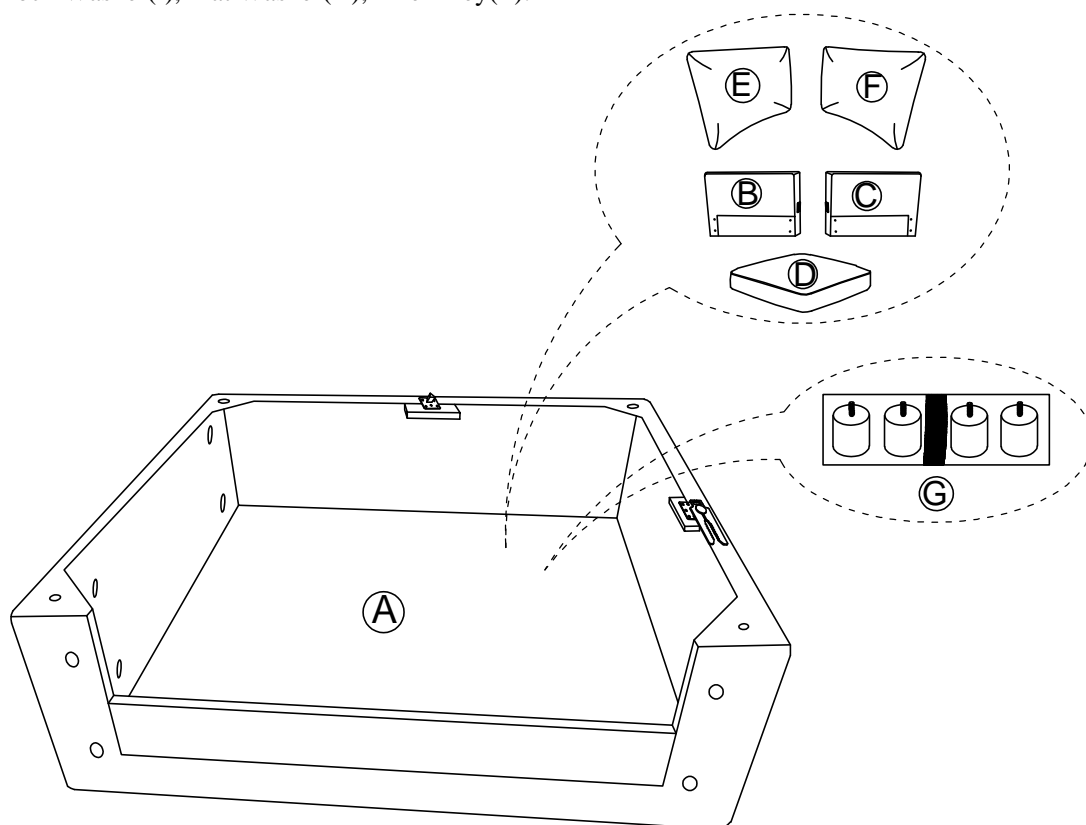


# ASSEMBLY INSTRUCTION

ITEM NO: 8338BE-CR/ 8338TG-CR CORNER SEAT

NO.	PARTS LIST	QTY	DESCRIPTION	NO.	PARTS LIST	QTY	DESCRIPTION
A		1	Seat Frame	G		4	Wooden Leg
B		1	Left Back Rest	H		8	Allen Bolt ØM8*50
C		1	Right Back Rest	I		8	Lock Washer M8
D		1	Seat Cushion	K		8	Flat Washer M8*Ø22*1.5mm
E		1	Left Back Cushion	L		1	Allen Key M5*100*50mm
F		1	Right Back Cushion				

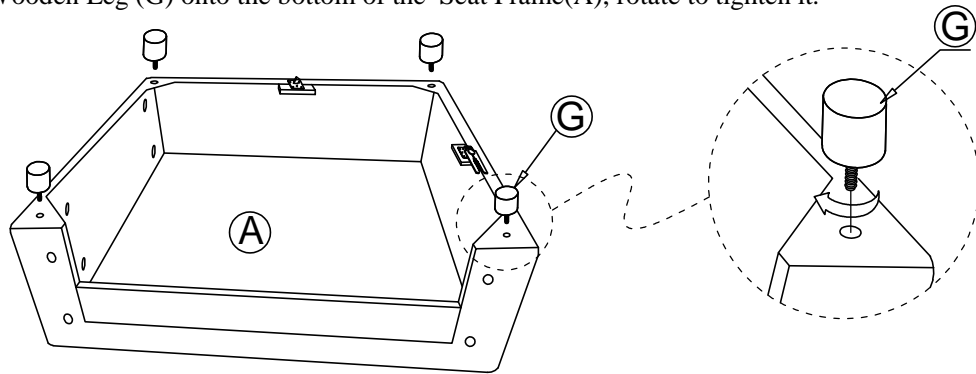
**STEP 1:** Take out Left Back Rest(B), Right Back Rest(C), Seat Cushion(D), Left Back Cushion(E), Right Back Cushion(F), Wooden Leg(G), Allen Bolt(H), Lock Washer(I), Flat Washer(K), Allen Key(L).



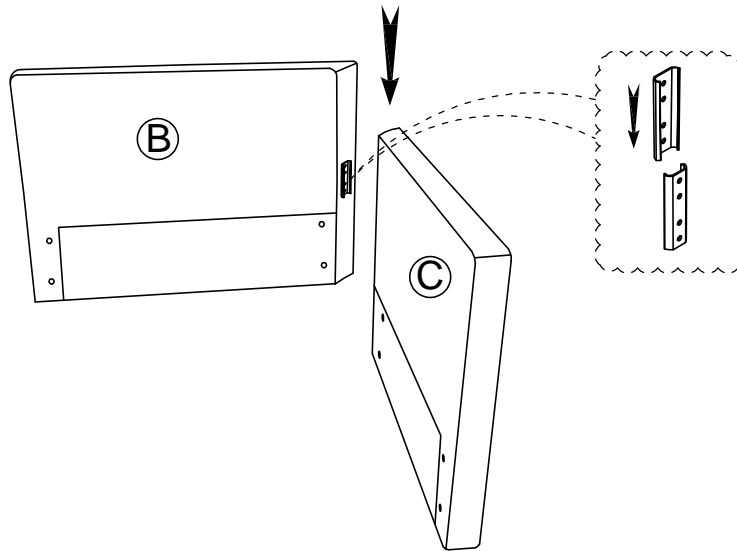
# ASSEMBLY INSTRUCTION

ITEM NO: 8338BE-CR/ 8338TG-CR CORNER SEAT

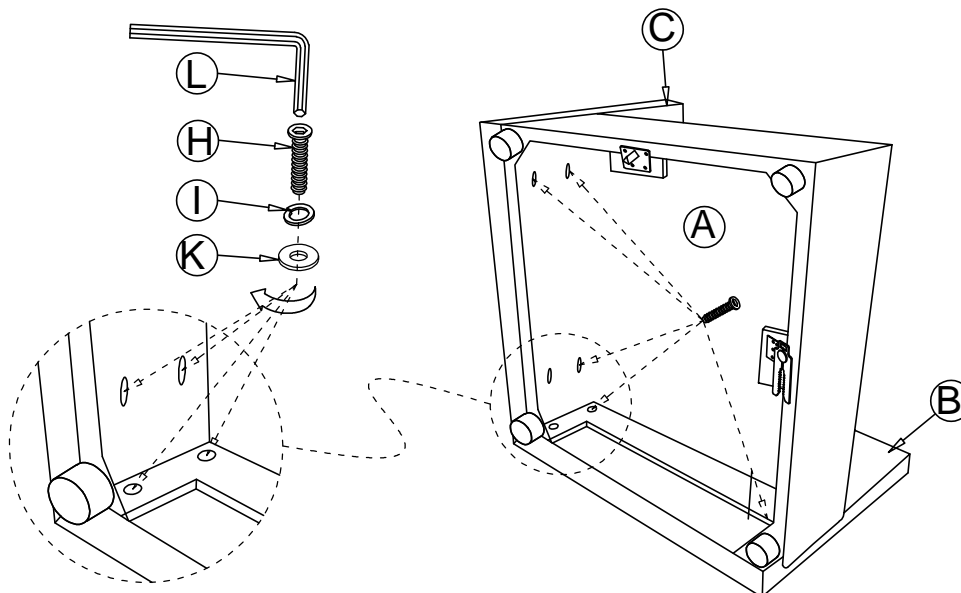
**STEP 2:** Align Wooden Leg (G) onto the bottom of the Seat Frame(A), rotate to tighten it.



**STEP 3:** Insert Left Back Rest(B) into Right Back Rest(C).



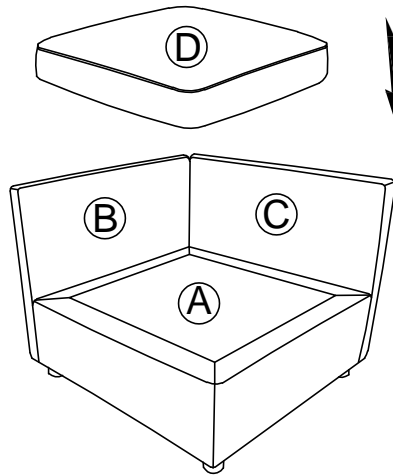
**STEP 4:** Place seat cushion on the seat frame.  
Match holes of Left Back Rest(B), Right Back Rest(C) and Seat Frame(A) correctly. Serew Allen Bolt(H) Lock Washer(I). Flat Washer(K) with Allen Key(L).



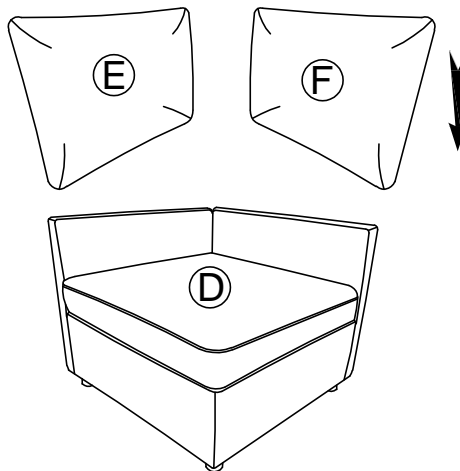
# ASSEMBLY INSTRUCTION

ITEM NO: 8338BE-CR/ 8338TG-CR CORNER SEAT

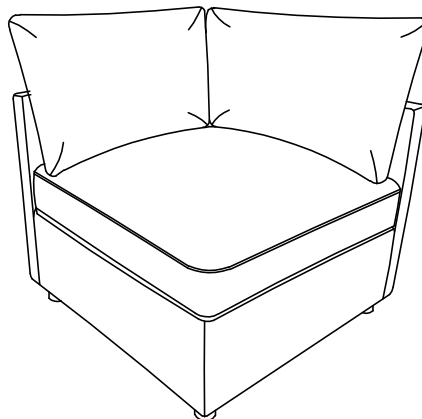
**STEP 5:** Put Seat Cushion(D) on the Seat Frame(A).



**STEP 6:** Put Left Back Cushion(E) and Right Back Cushion(F) on Seat Cushion(D).



**STEP 7:** Completed



### CARE INSTRUCTION FOR FABRIC FURNITURE

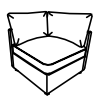


In order to maintain the original appearance of your fabric furniture, please follow below simple care procedures.

°Avoid exposing furniture directly to sunlight or heating and air conditioning outlets. Exposure to sunlight or heating and air conditioning outlets will fade/damage fabric.

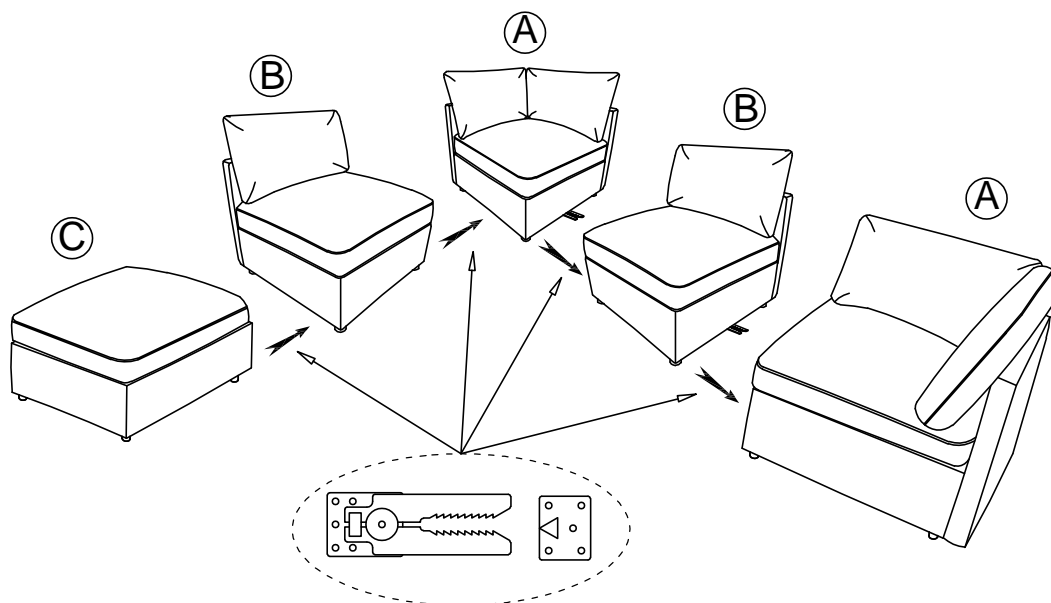
°Wipe gently with a damp soft cloth to remove dust, dirt and any grime build up.

# ASSEMBLY INSTRUCTION

ITEM NO: 8338BE-CR/ 8338TG-CR CORNER SEAT

NO.	PARTS LIST	QTY	DESCRIPTION
A		2	CR-Corner Seat
B		2	AC-Armless Chair
C		1	4-Ottoman

**STEP 8:** Sectional connection by placing (B) into piece (A) Continue sectional connection with piece (C) and (B) the same method.



**STEP 9:** Completed

