



ASSEMBLY INSTRUCTIONS

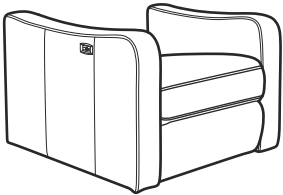
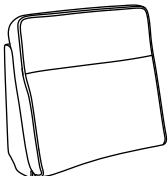
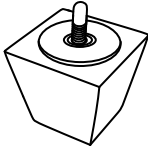
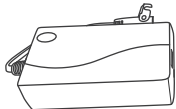
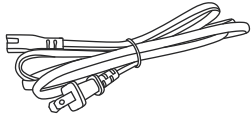
ITEM NO:
8368BRW/NVY-A2PW: POWER RECLINING
CHAIR, CURVED TRACK ARMS

WARNING:

- Keep hands, feet, and children away from moving parts.
- Ensure the area behind and under the chair is clear before operating.
- Do not allow children to operate the recliner.

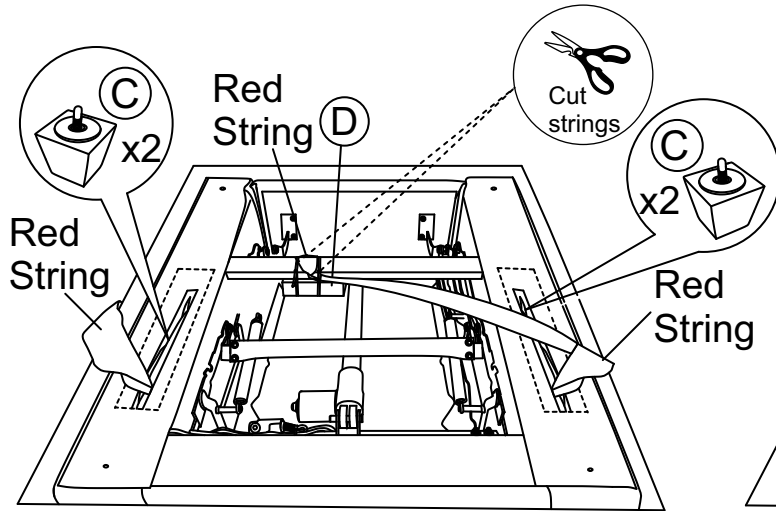
NOTE: Do not use power tools for assembly. Power tools increase the risk of over tightening which lead to splitting or cracking the wood.

COMPONENT LIST

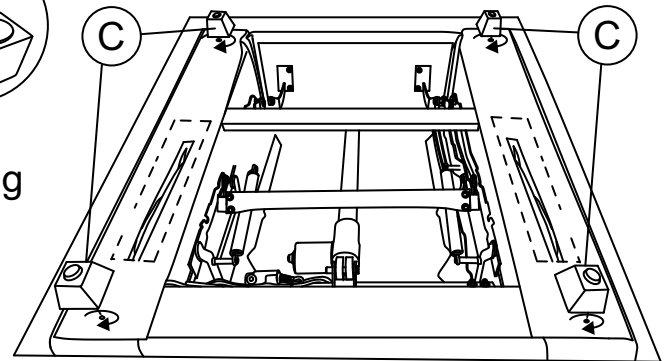
NO.	DRAWING	Q.TY	DESCRIPTION
A		1PC	SEAT BASE
B		1PC	BACKREST
C		4PCS	WOODEN LEG (60*60*72mm)
D		1PC	ADAPTER
E		1PC	POWER CORD

Please follow the drawings below to assemble the item.

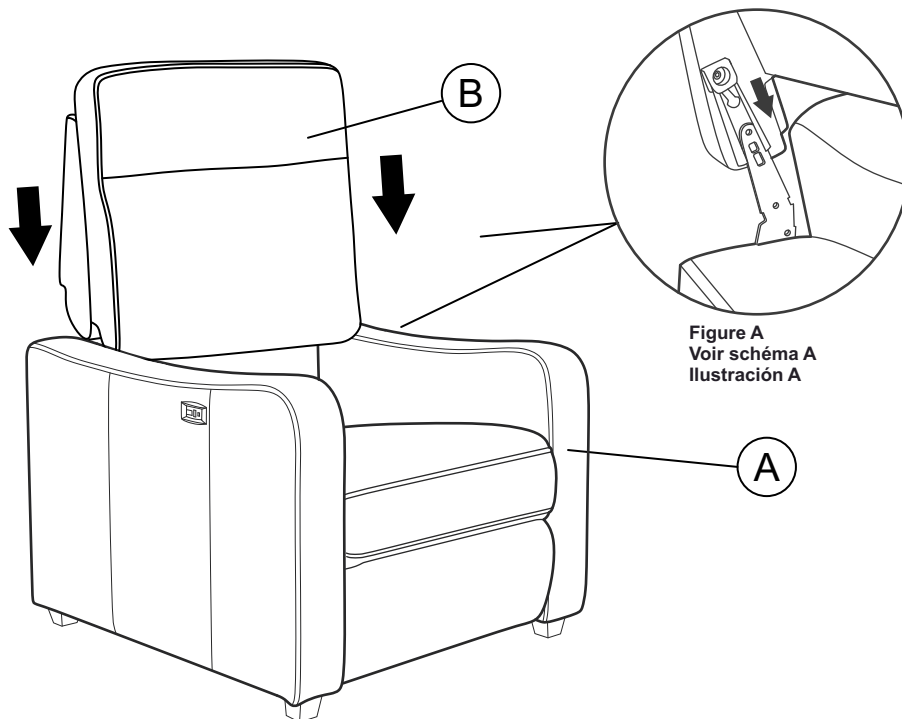
Step 1.



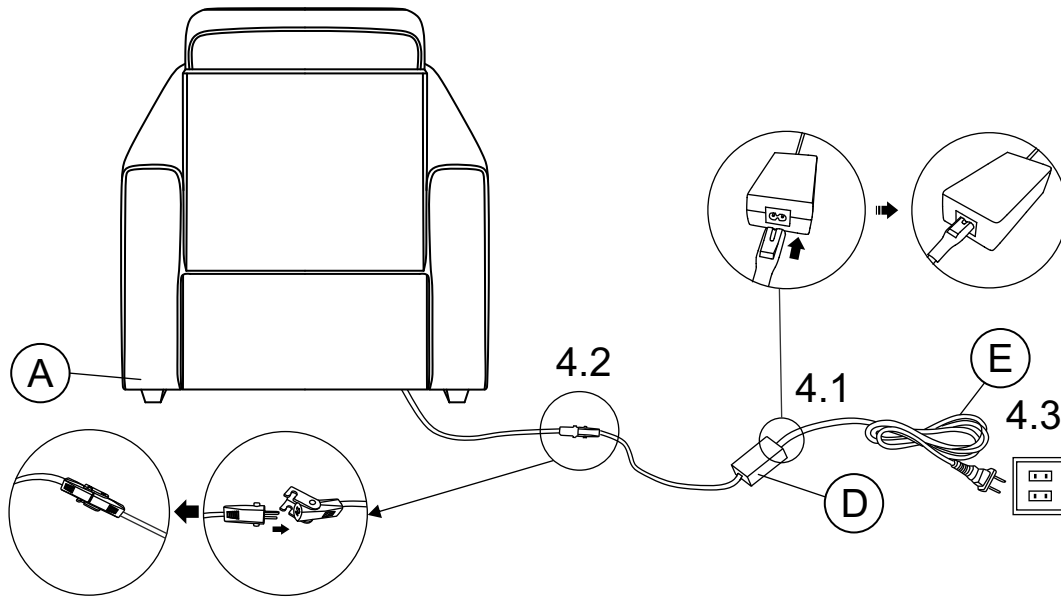
Step 2.



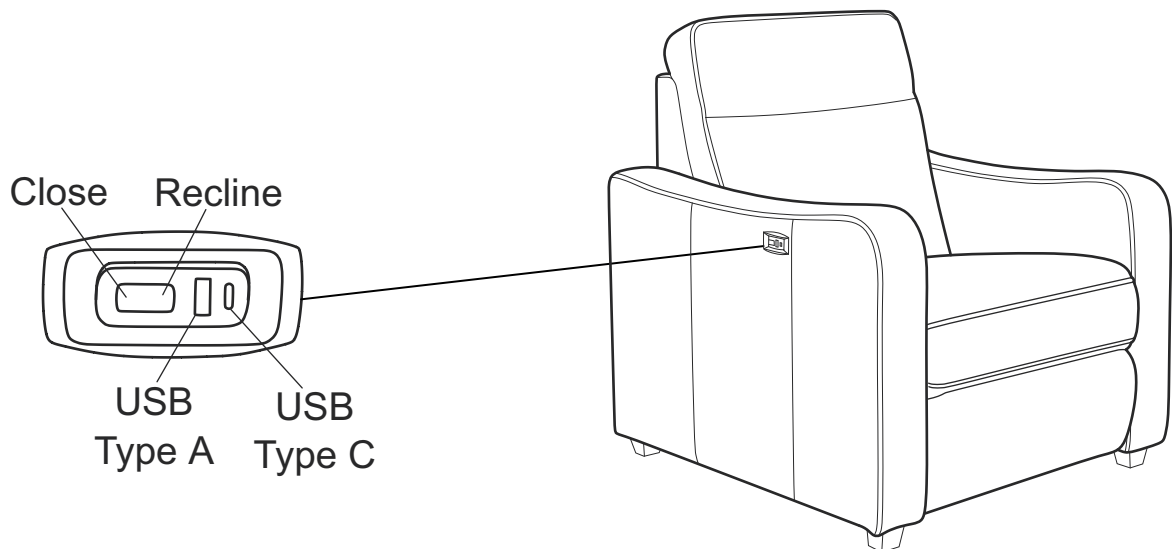
Step 3.



Step 4. Power connections.



Step 5.



CARE INSTRUCTION FOR AIR LEATHER:

In order to maintain the original appearance of your fabric furniture, please follow below simple care procedure:

- Avoid exposing furniture directly to sunlight or heating and air conditioning outlets. Exposure to sunlight or heating and air conditioning outlets will fade/damage fabric.
- Wipe gently with a damp soft cloth to remove dust, dirt and any grime build up.

! It is recommended to install protective pads under all legs and supports to avoid damage or scratches when placing furniture on a wood floor or other hard surface, and to limit indentation and prevent discoloration if placing on carpet.

PLEASE KEEP ASSEMBLY INSTRUCTION FOR FUTURE REFERENCE