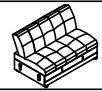









Note: Do not use power tools for assembly. Power tools increase the risk of over tightening which lead to splitting or cracking the wood.

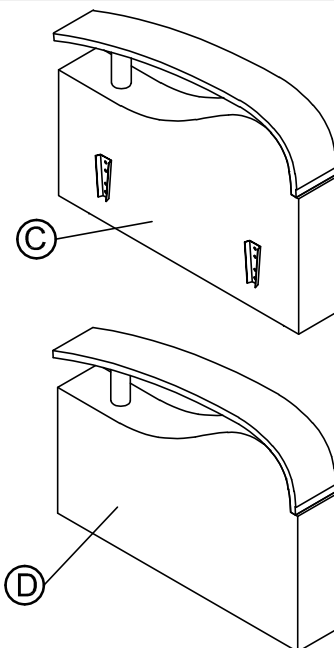
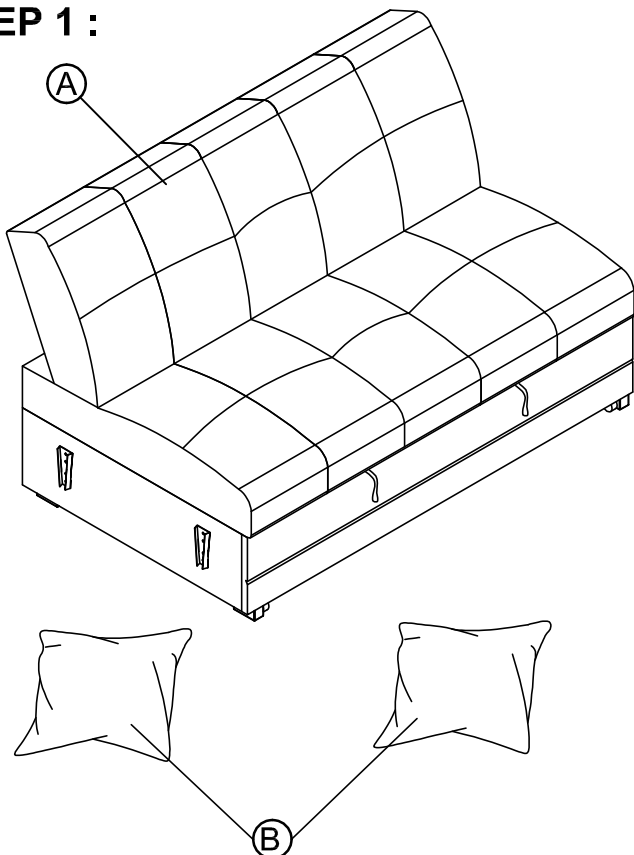
[1/2] COMPONENT LIST

No.	Description	Diagram	Quantity
A	SEATING		1 PC
B	PILLOW (18"X18")		2 PCS

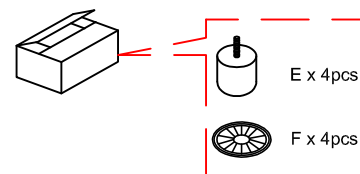
[2/2] COMPONENT LIST(PACKED IN 8429 -A BOX)

No.	Description	Diagram	Quantity
C	RSF ARM		1 PC
D	LSF ARM		1 PC
E	WOODEN LEGS (Ø6 cm x H 5 cm)		4 PCS
F	WASHER (Ø5 cm)		4 PCS

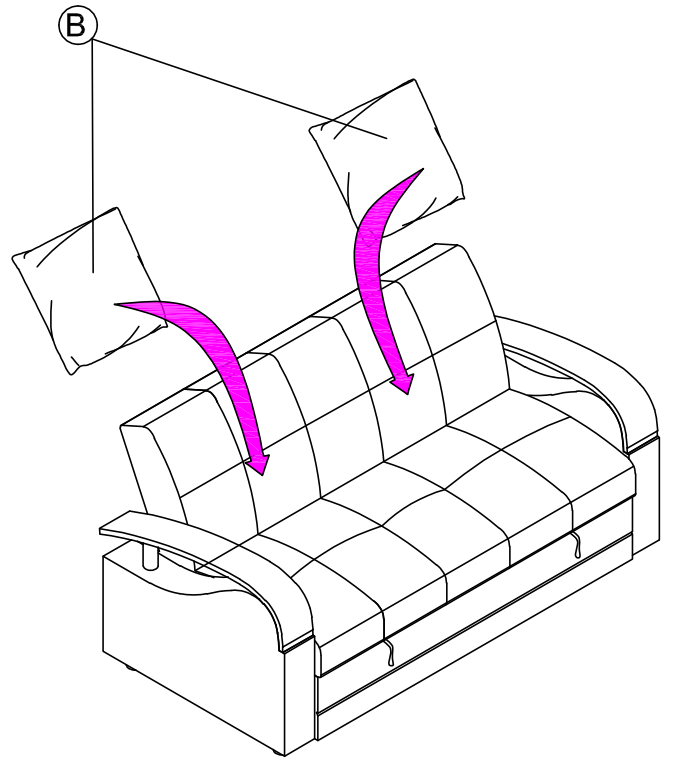
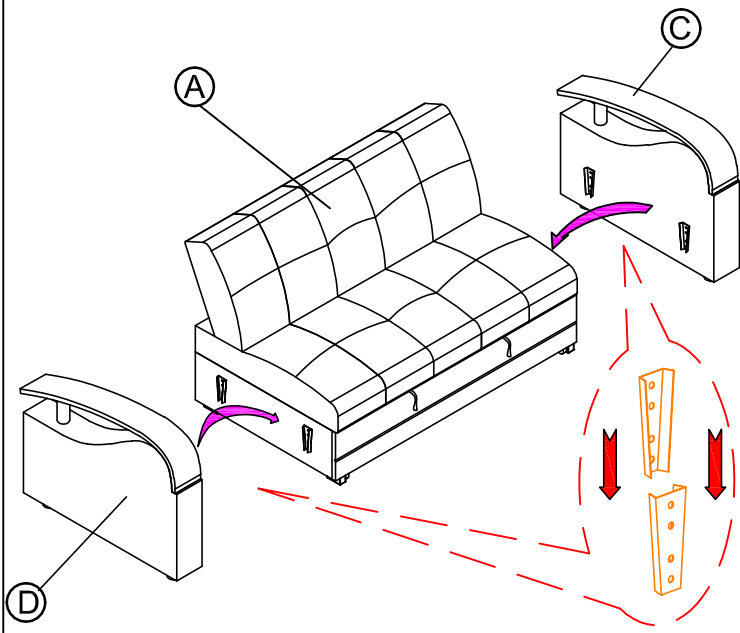
STEP 1 :



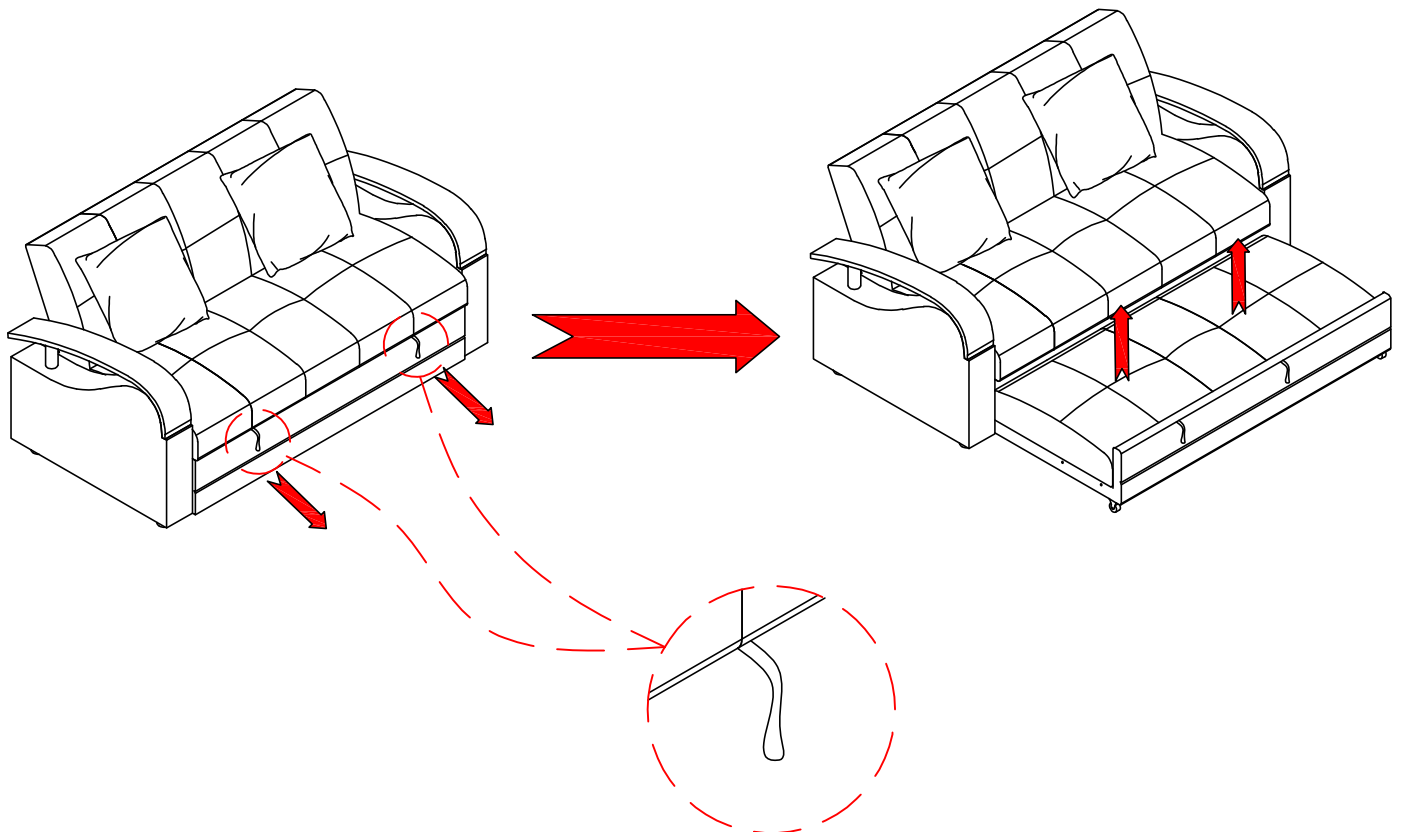
LEGS INSIDE BOX



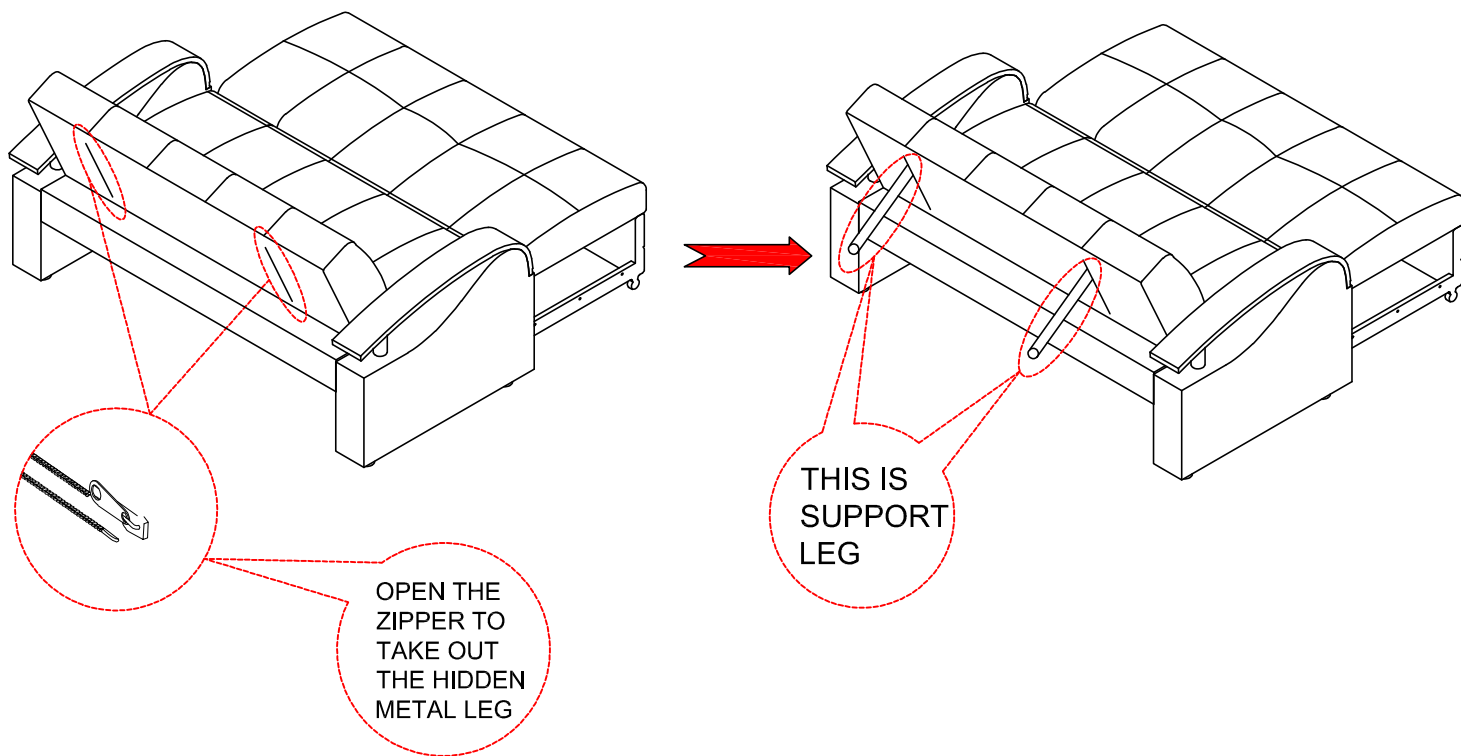
STEP 2 :



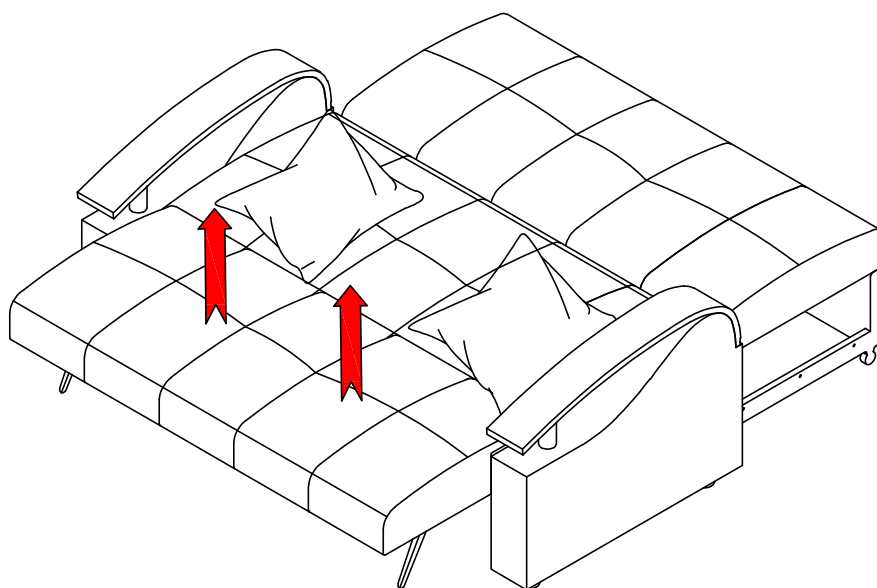
STEP 3 :



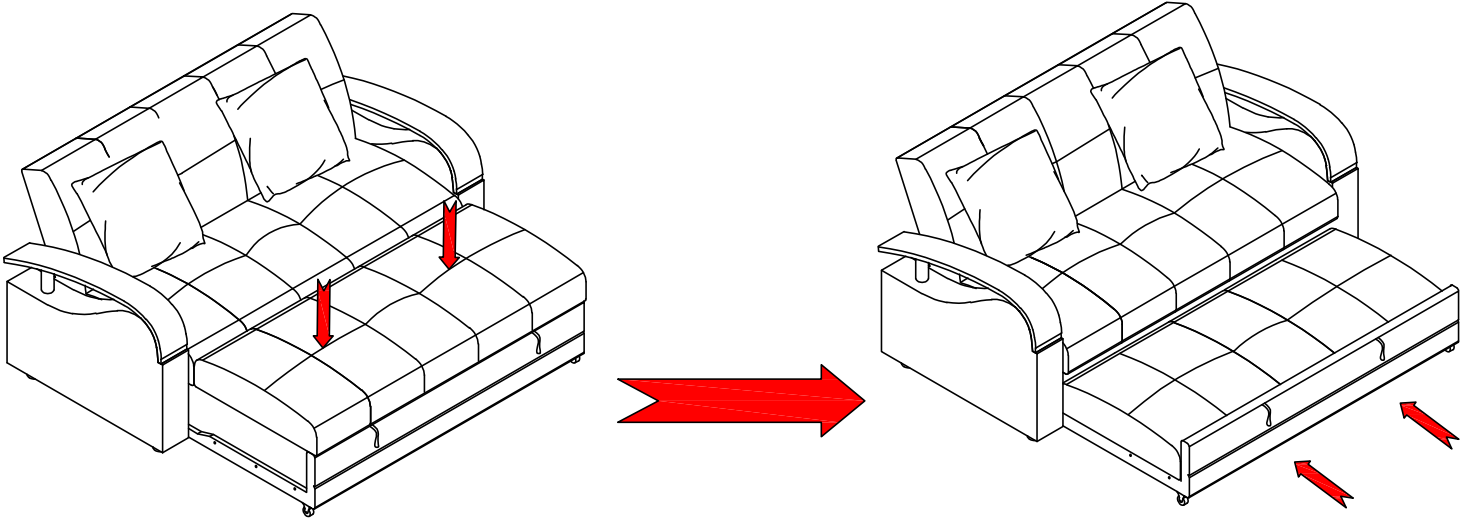
STEP 4 :



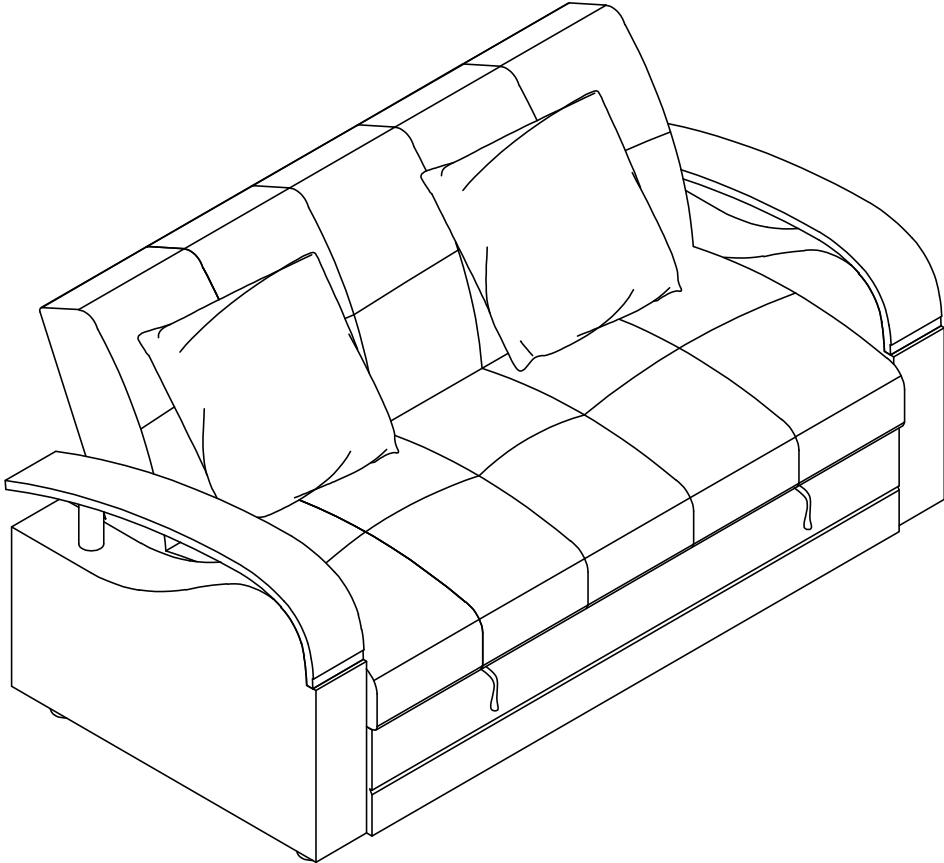
STEP 5 :



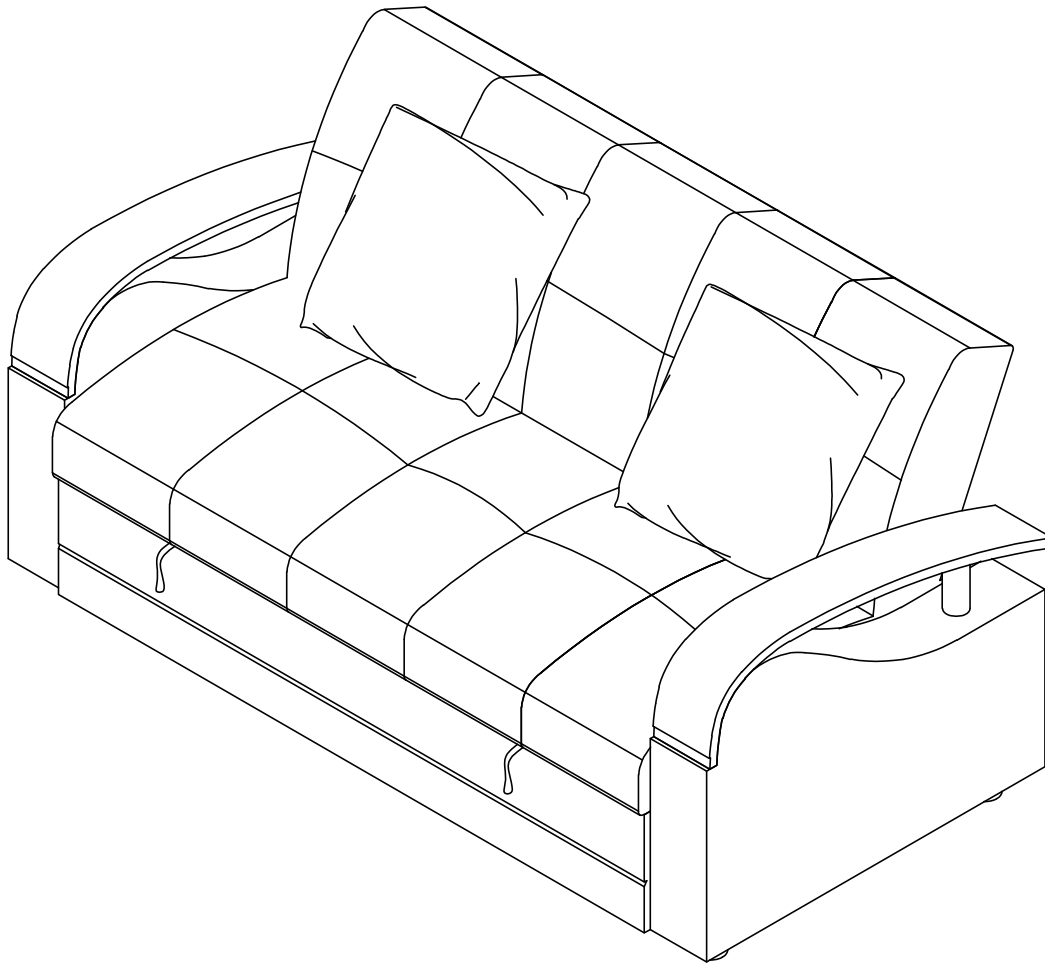
STEP 6 :



STEP 7 :



COMPLETED



Care Instruction for Chenille Furniture:

In order to maintain the original appearance of your Chenille, please follow below simple care procedures:

- Avoid exposing furniture directly to sunlight or heating and air conditioning outlets. Sunlight and or exposure to heating and air conditioning outlets will fade/damage Chenille.
- Vacuum or wipe with a soft cloth to remove dust.
- Hardware may loosen over time. Periodically check to make sure all connections are tight, Re-tighten if necessary.



For items use on wooden floor, hard surfaces or carpets, it is recommended to Install protective pads under all legs and supports to avoid/prevent from damages/scratches and discoloration.