





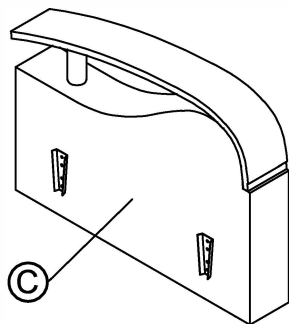


Note: Do not use power tools for assembly. Power tools increase the risk of over tightening which lead to splitting or cracking the wood.

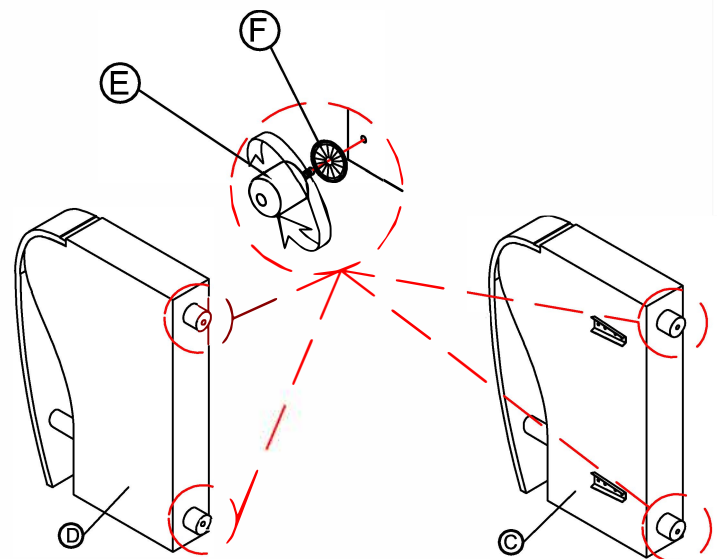
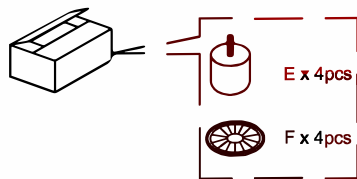
[2/2] COMPONENT LIST

No.	Description	Diagram	Quantity
C	RSF ARM		1 PC
D	LSF ARM		1 PC
E	WOODEN LEGS (Ø6 cm x H 5 cm)		4 PCS
F	WASHER (Ø5 cm)		4 PCS

STEP 1 :

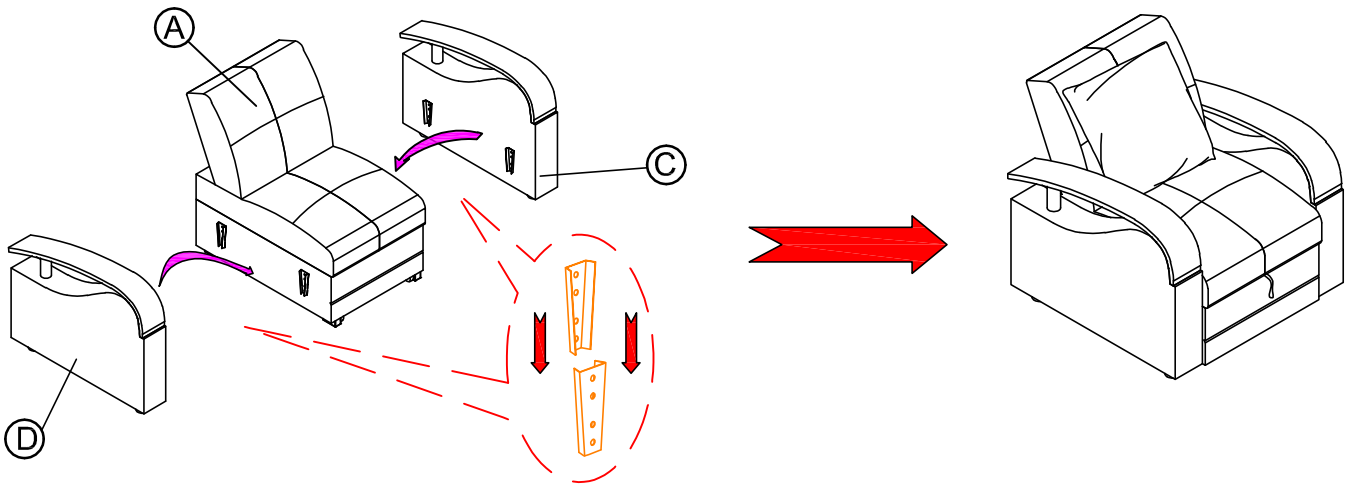


LEGS INSIDE BOX

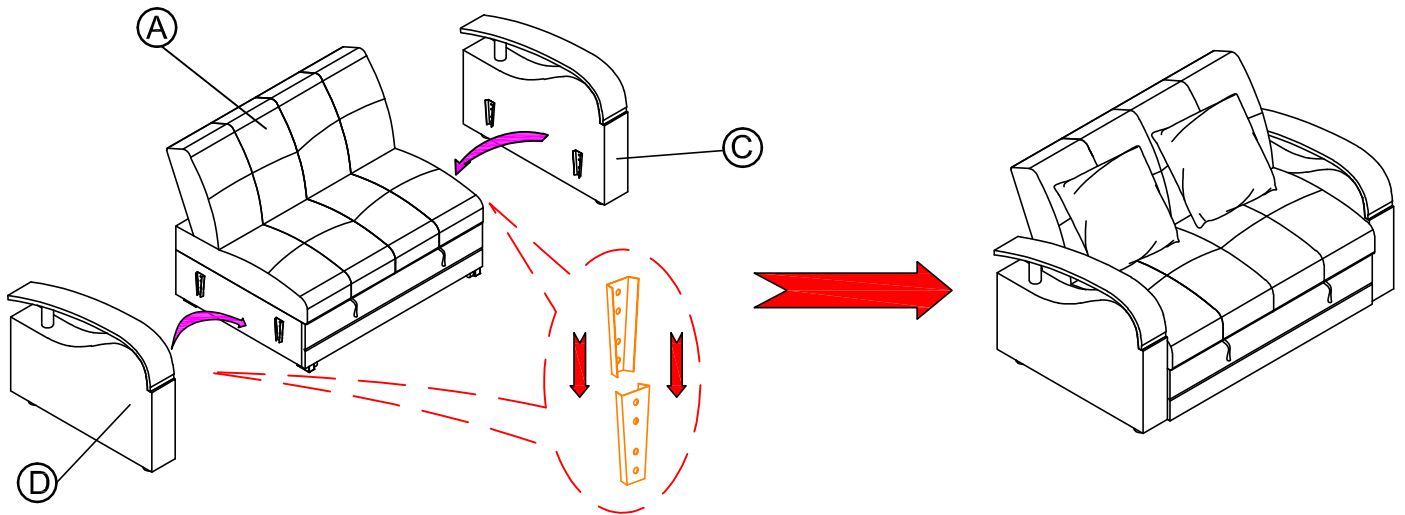


STEP 2 :

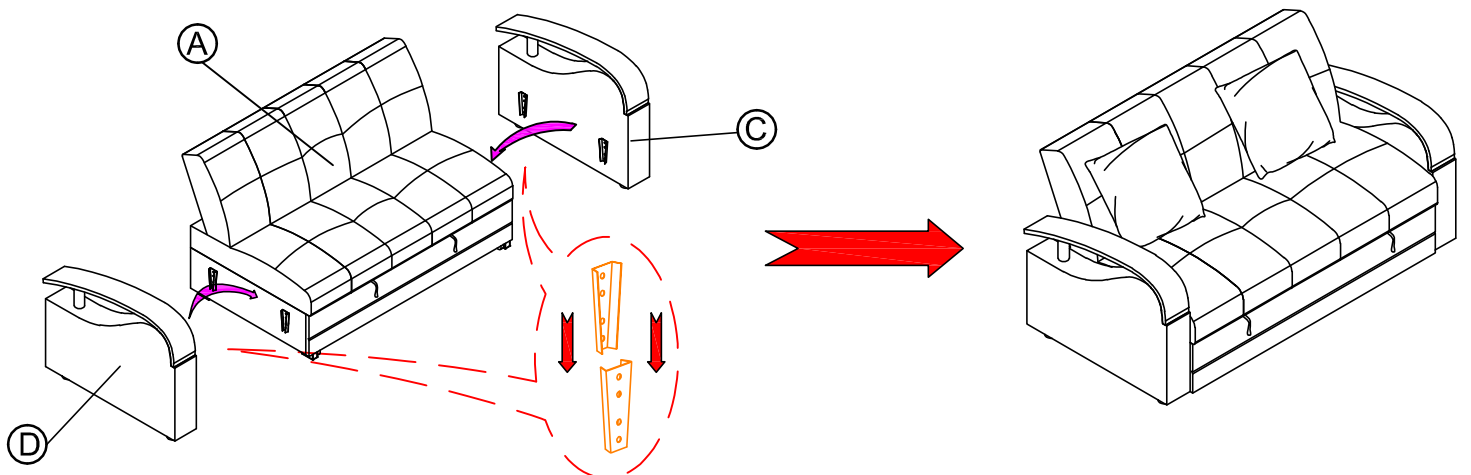
Chair 8429-1CL + 8429-A



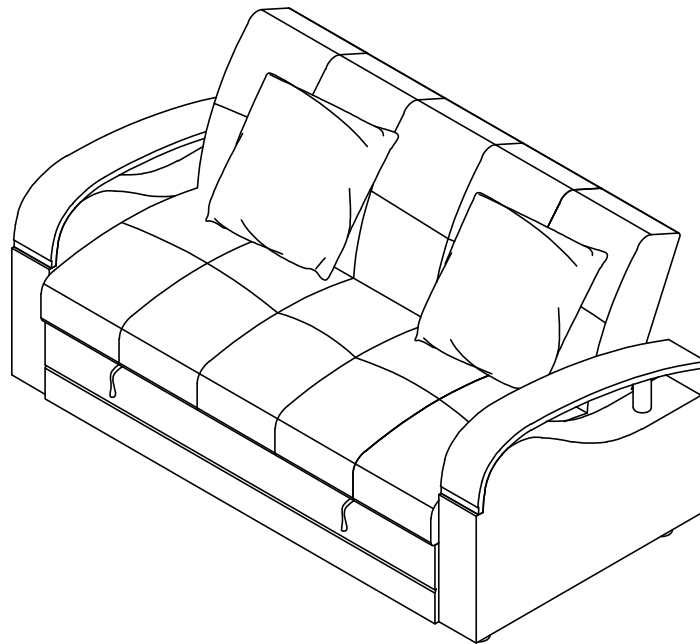
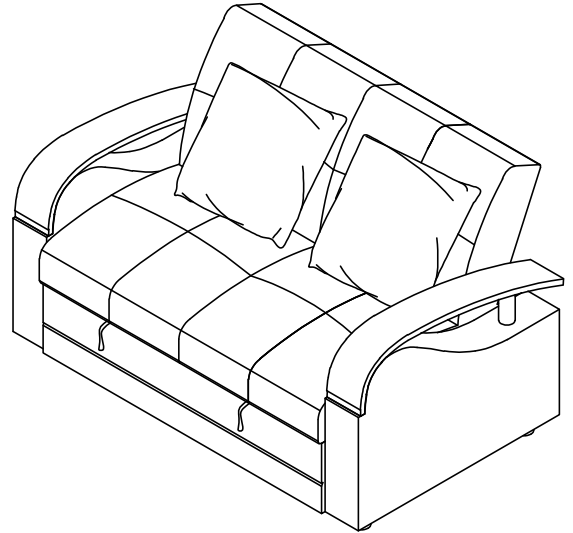
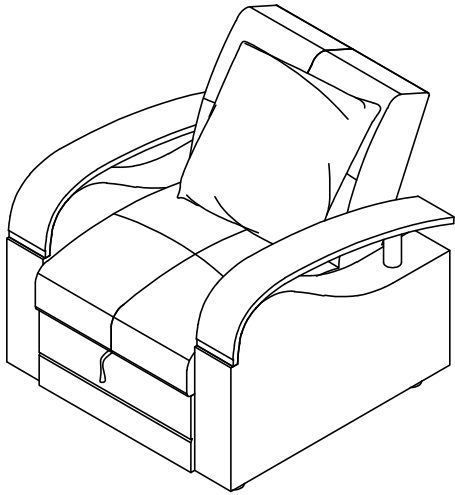
Loveseat 8429-2CL + 8429-A



Sofa 8429-3CL + 8429-A



COMPLETED



Care Instruction for Chenille Furniture:

In order to maintain the original appearance of your Chenille, please follow below simple care procedures:

- Avoid exposing furniture directly to sunlight or heating and air conditioning outlets. Sunlight and or exposure to heating and air conditioning outlets will fade/damage Chenille.
- Vacuum or wipe with a soft cloth to remove dust.
- Hardware may loosen over time. Periodically check to make sure all connections are tight, Re-tighten if necessary.



For items use on wooden floor, hard surfaces or carpets, it is recommended to Install protective pads under all legs and supports to avoid/prevent from damages/scratches and discoloration.