



# ASSEMBLY INSTRUCTION

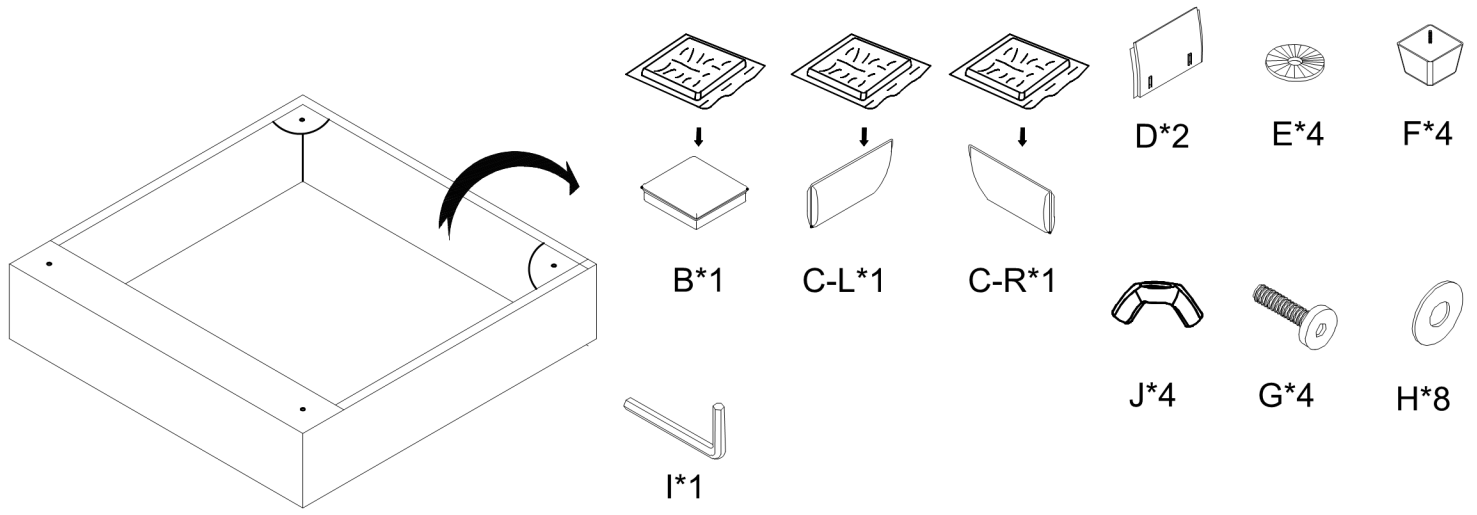
ITEM NO.: 8450TPE/PWT-CR

Corner Seat

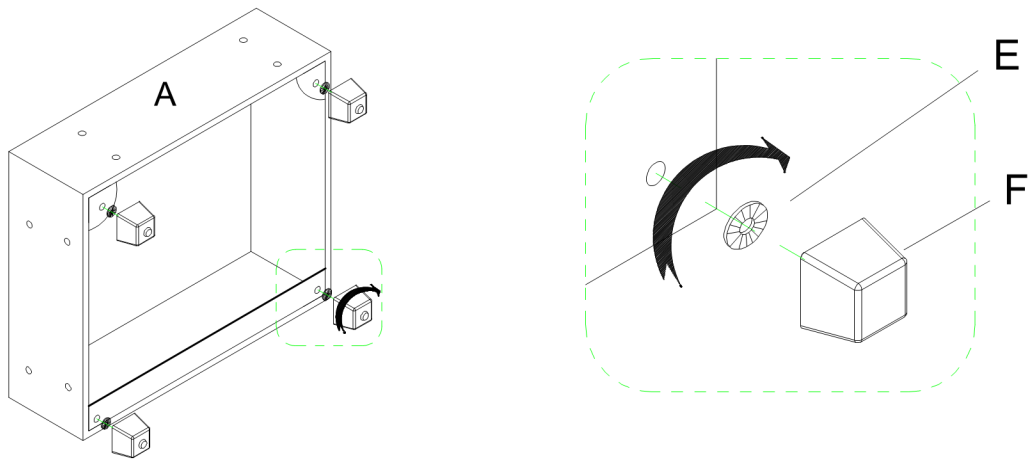


**NOTE:** Do not use power tools for assembly. Power tools increase the risk of over tightening which lead to splitting or cracking the wood.

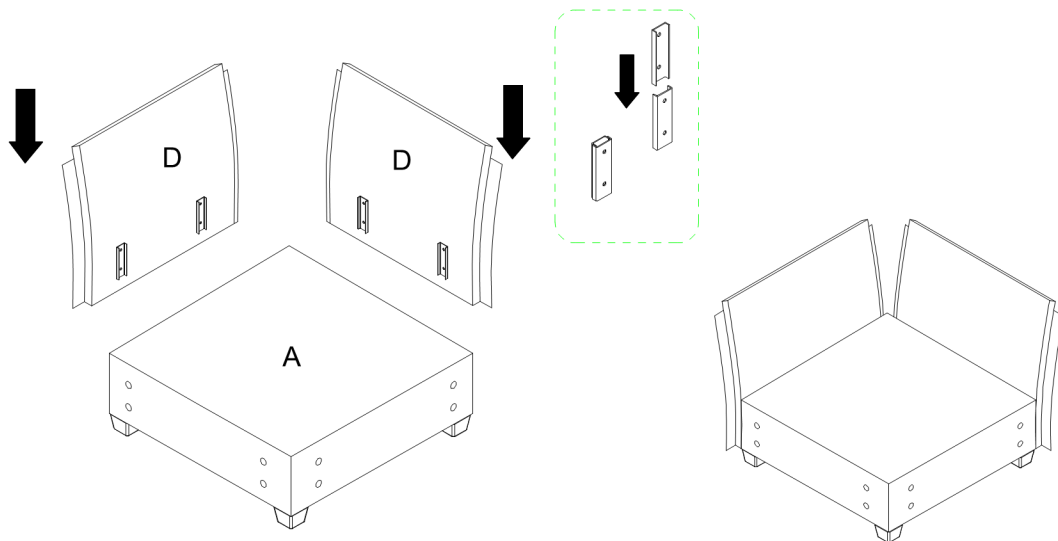
NO	DRAWING	QTY	Description
A		1	SEAT
B		1	SEAT CUSHION
C-L		1	L LSF BACK CUSHION
C-R		1	R RSFBACK CUSHION
D		2	BACK PANEL
E		4	Plastic Washer( $\Phi$ 45*3mm)
F		4	PLASTIC LEG(80*80*80mm)
G		4	BOLT 5/16*80mm
H		8	WASHER( $\Phi$ 19*1.5mm)
I		1	ALLEN KEY
J		4	BUTTERFLY NUT(30*13*13mm)



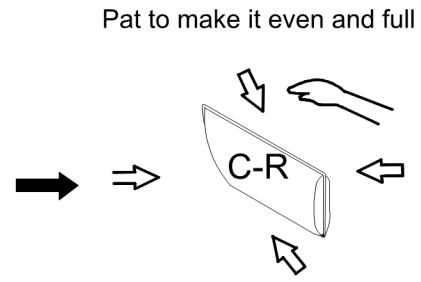
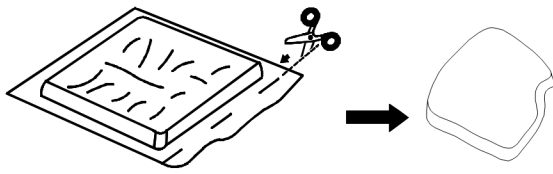
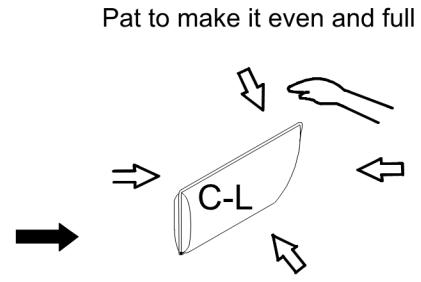
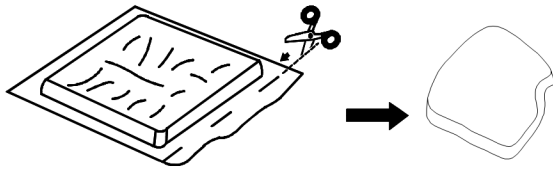
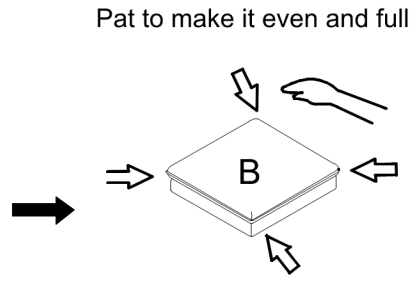
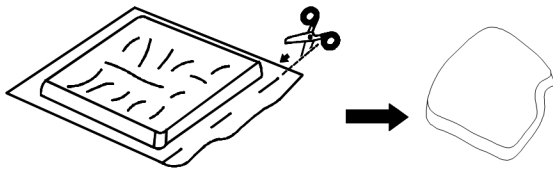
## Step 1



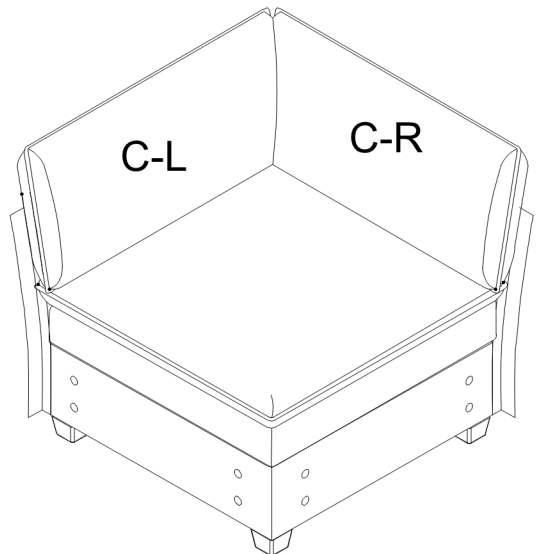
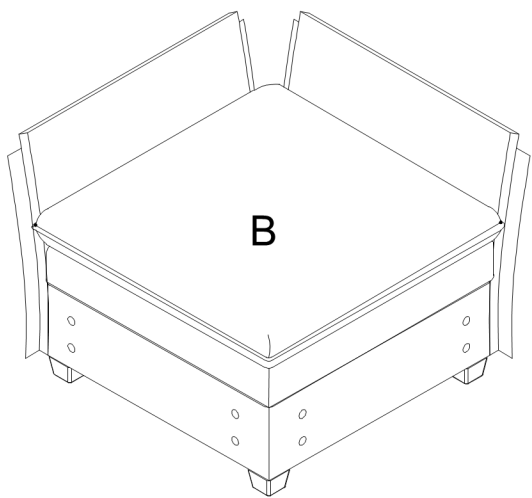
## Step 2



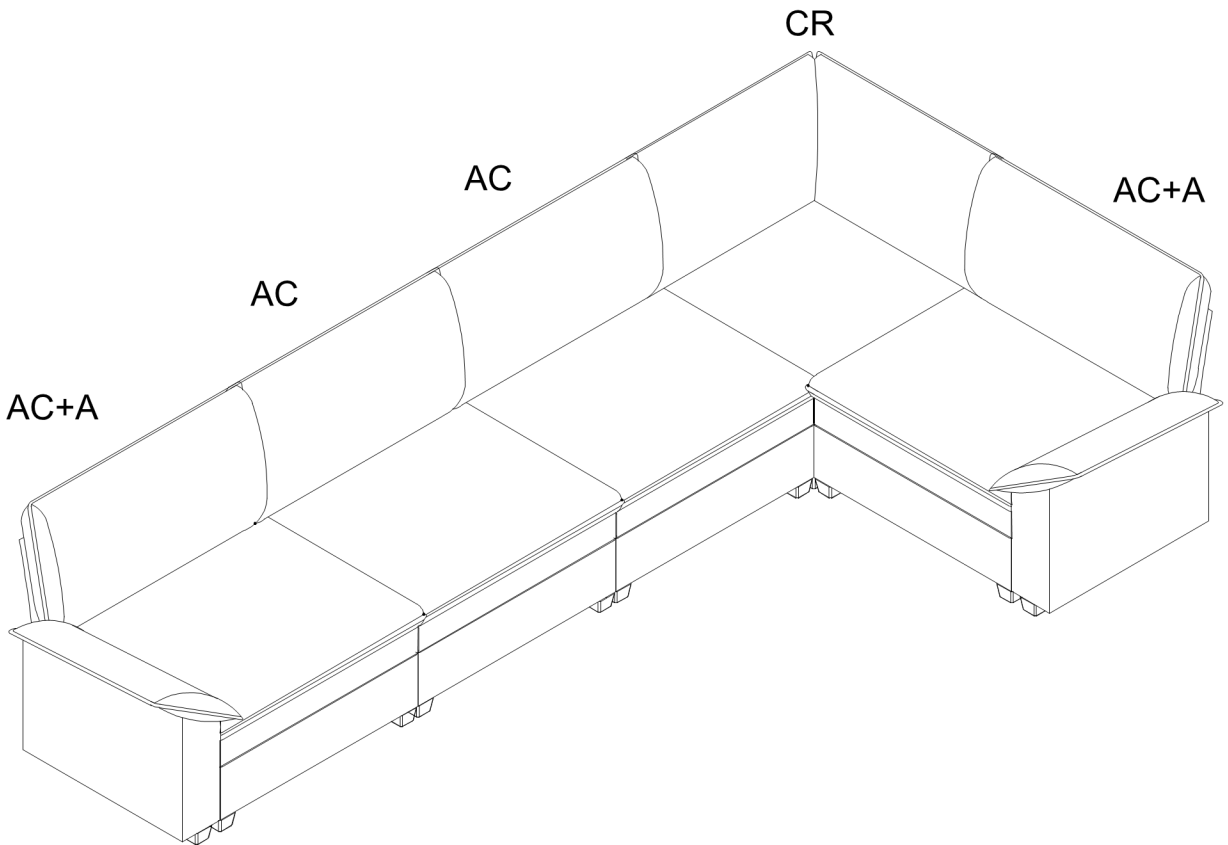
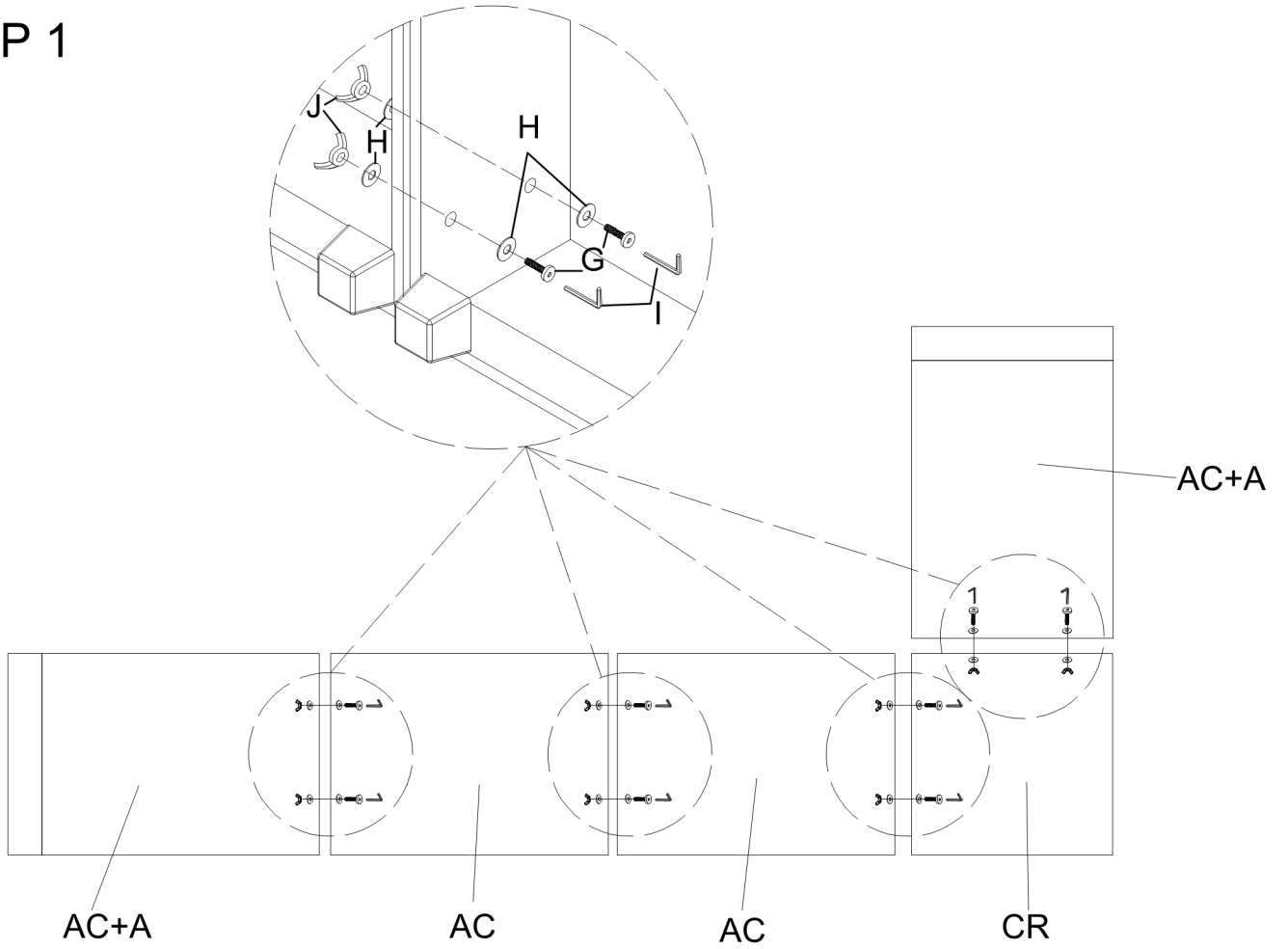
# Step 3

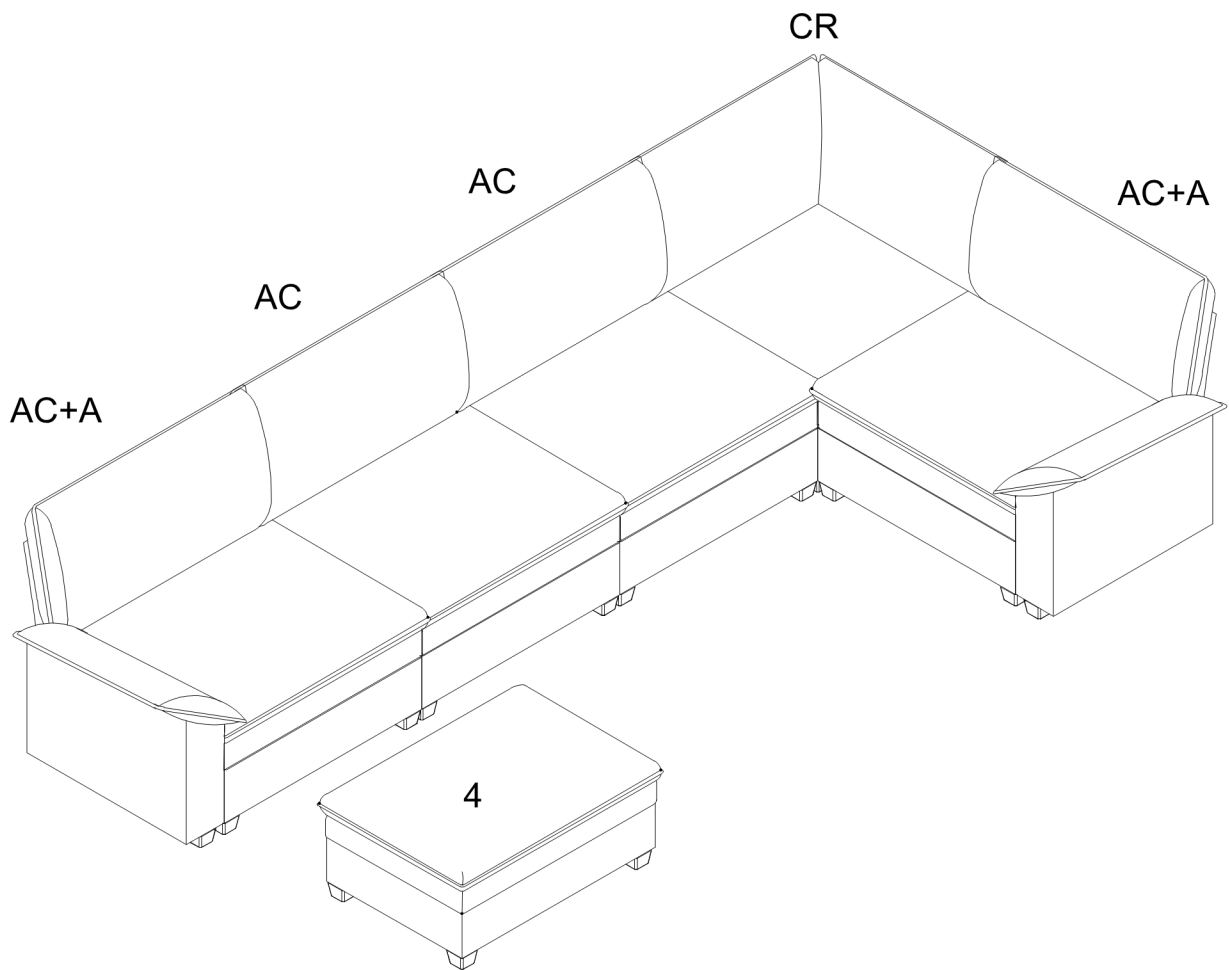


# Step 4



# STEP 1





### **Care Instruction for Chenille Furniture:**

**In order to maintain the original appearance of your Chenille furniture, please follow below simple care procedures:**

**Avoid exposing furniture directly to sunlight or heating and air conditioning outlets. Sunlight and or exposure to heating and air conditioning outlets will fade/damage Chenille.**

**Vacuum or wipe with a soft cloth to remove dust.**

**Hardware may loosen over time. Periodically check to make sure all connections are tight, Re-tighten if necessary.**

**For item use on wooden floor, hard surfaces or carpets, it is recommended to install protective pads under all legs and supports to avoid/prevent from damages/scratches and discoloration.**