

**H O M E E L E G A N C E**

# Assembly Instructions

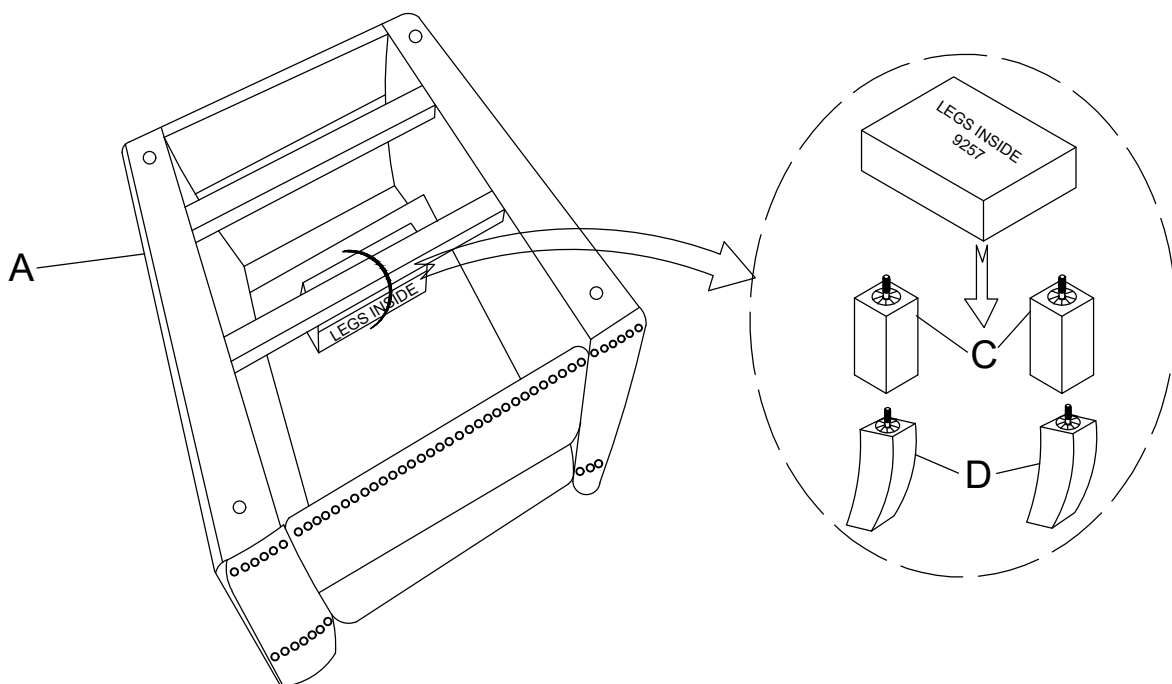
ITEM NO: 9257-1 / 9257NF-1

PUSH BACK RECLINING CHAIR

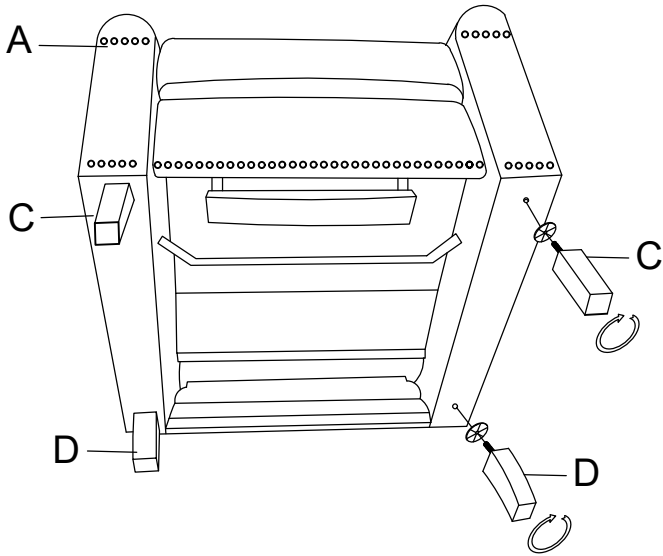
Note: Legs and Hardware are packed and stored in the bottom of the seat, please take out for assembly.

PART	DRAWING	DESCRIPTION	QTY
A		SEAT	1 PC
B		BACK	1 PC
C		WOODEN FRONT LEG 5"x1-3/4"x1-3/4"	2 PCS
D		WOODEN REAR LEG 5"x3-5/32"x1-3/4"	2 PCS

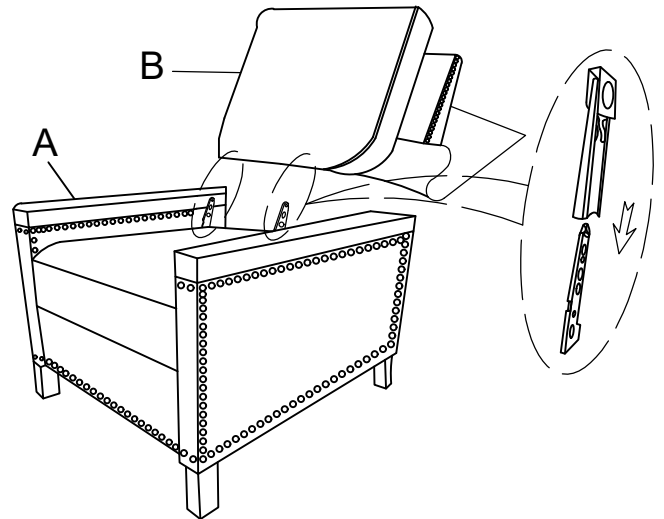
## STEP 1:



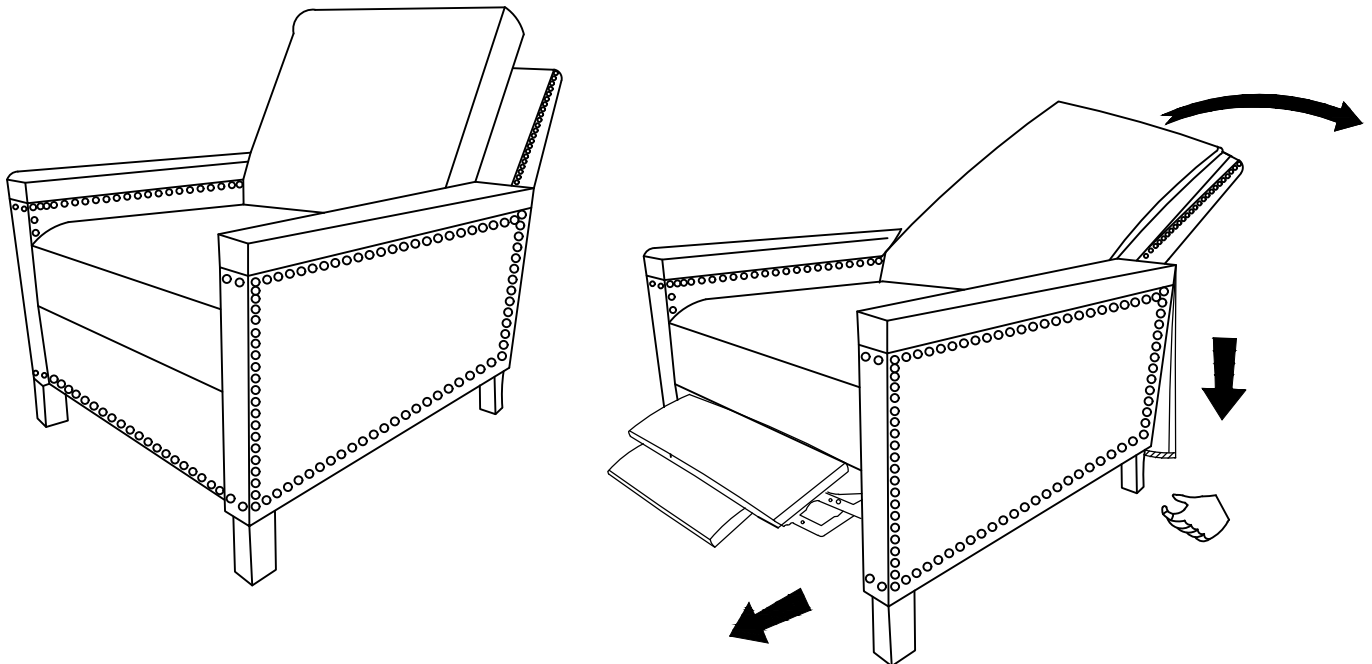
## STEP 2:



## STEP 3:



## COMPLETED



## Care Instruction for Textured Fabric Furniture:

In order to maintain the original appearance of your textured fabric Furniture, please follow below simple care procedures:

- Avoid exposing furniture directly to sunlight or heating and air conditioning outlets. Sunlight and or exposure to heating and air conditioning outlets will fade/damage textured fabric.
- Vacuum or wipe with a soft cloth to remove dust.



For items use on wooden floor, hard surfaces or carpets, it is recommended to Install protective pads under all legs and supports to avoid/prevent from damages/scratches and discoloration.