



H O M E L E G A N C E

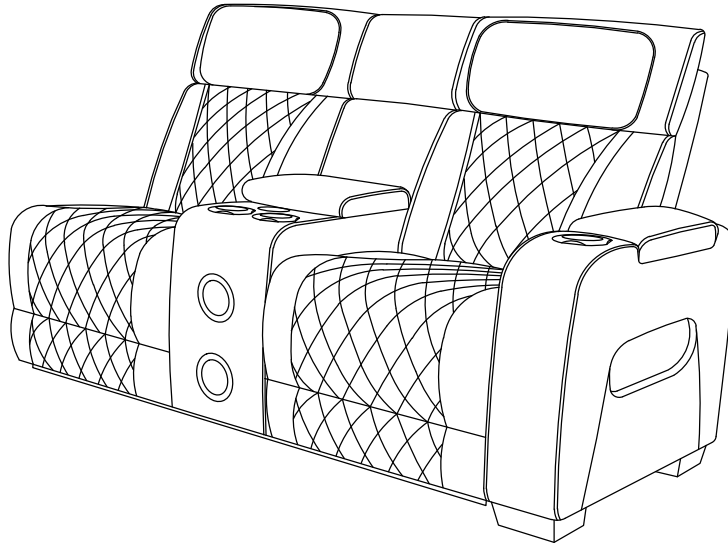
Assembly Instruction

ITEM NO.: 9516BRWS/TPES/BLKS-2RCNPWH

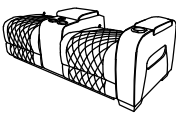





Power right side reclining love seat with center console, power headrests, storage arms(top andside), cup holders, charging ports, wireless speakers and led lighting



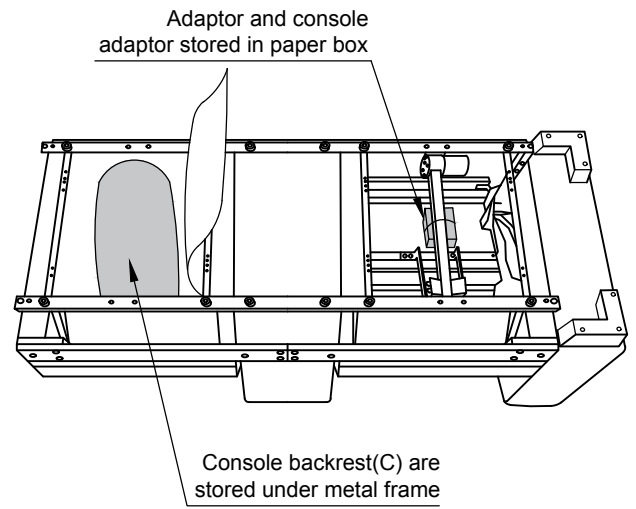
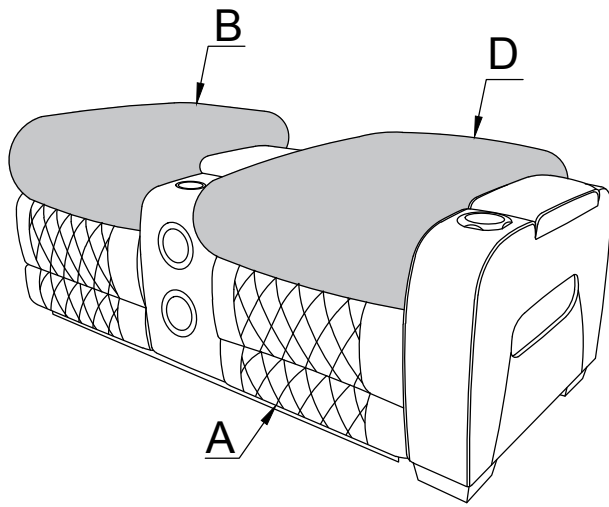
Note: Do not use power tools for assembly. Power tools increase the risk of over tightening which lead to splitting or cracking the wood.



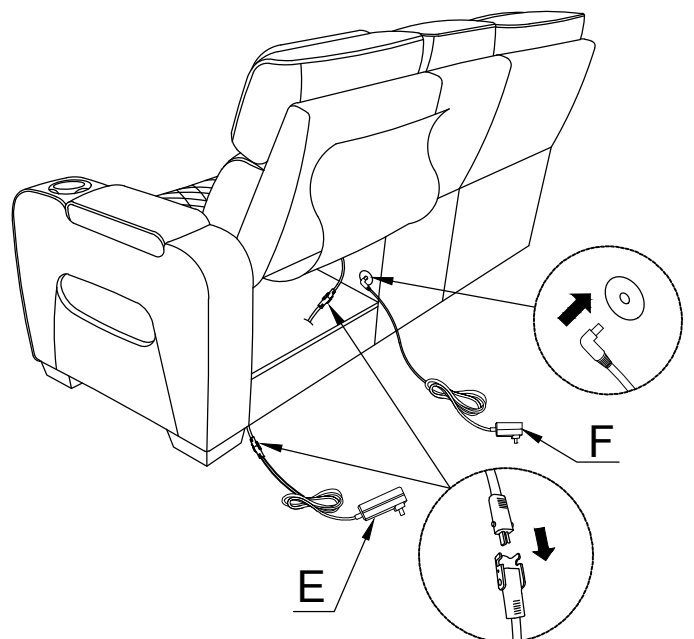
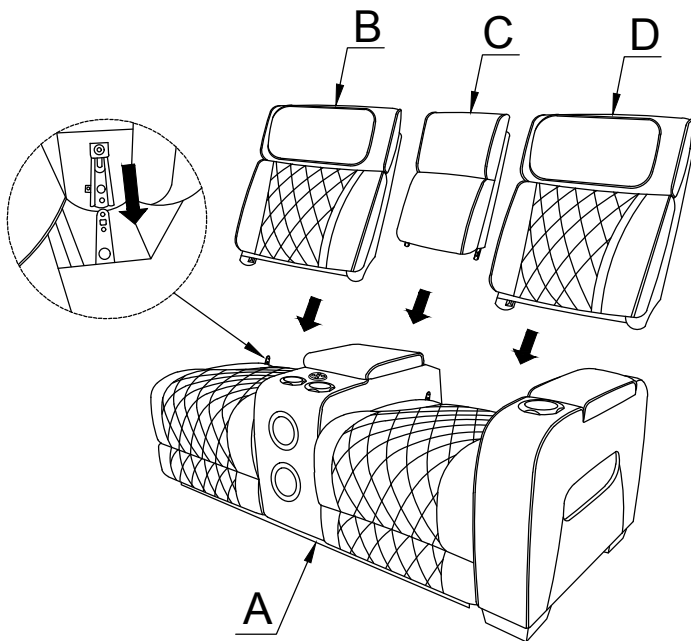
Component list

No	Drawing	Qty	Description
A		1	RSF SEAT
B		1	LSF BACK REST
C		1	CONSOLE BACK REST
D		1	RSF BACK REST
E		1	ADAPTOR
F		1	CONSOLE ADAPTOR

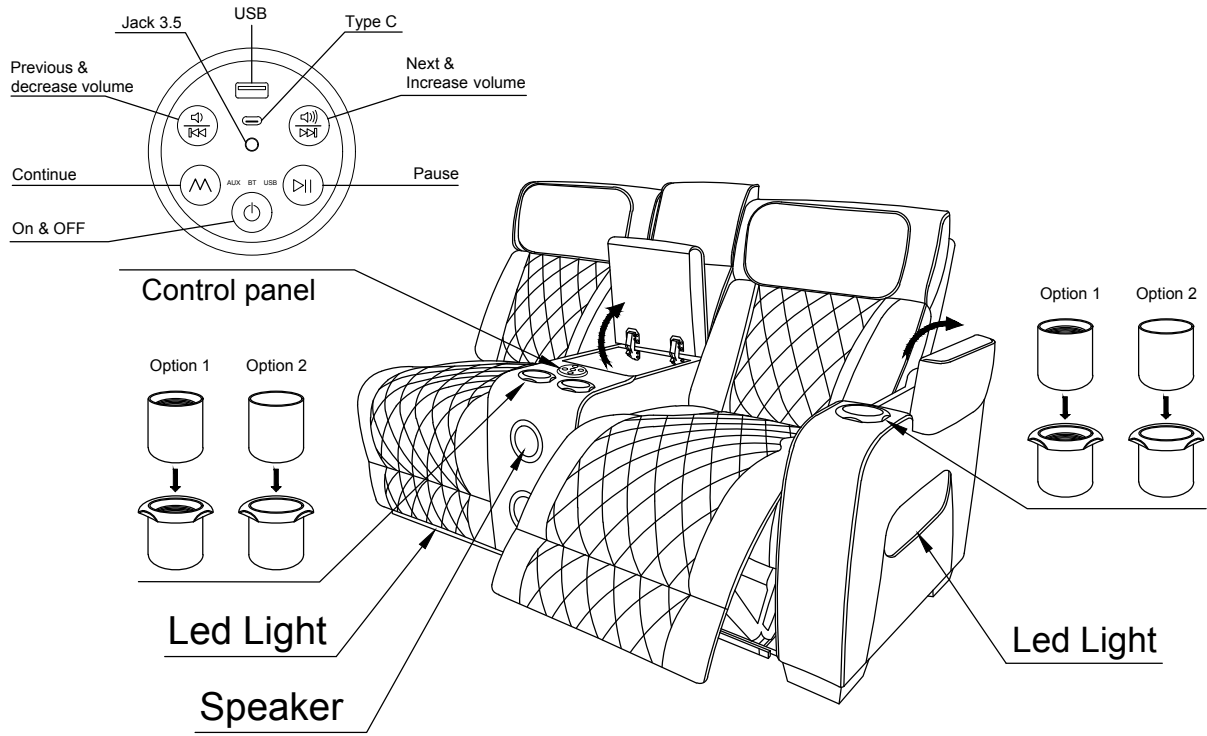
Step #1



Step #2



Step #3



Thank you for using eMotion Bluetooth sound system.
Before using this unit please read the instruction carefully.

This audio system is for indoor use only.

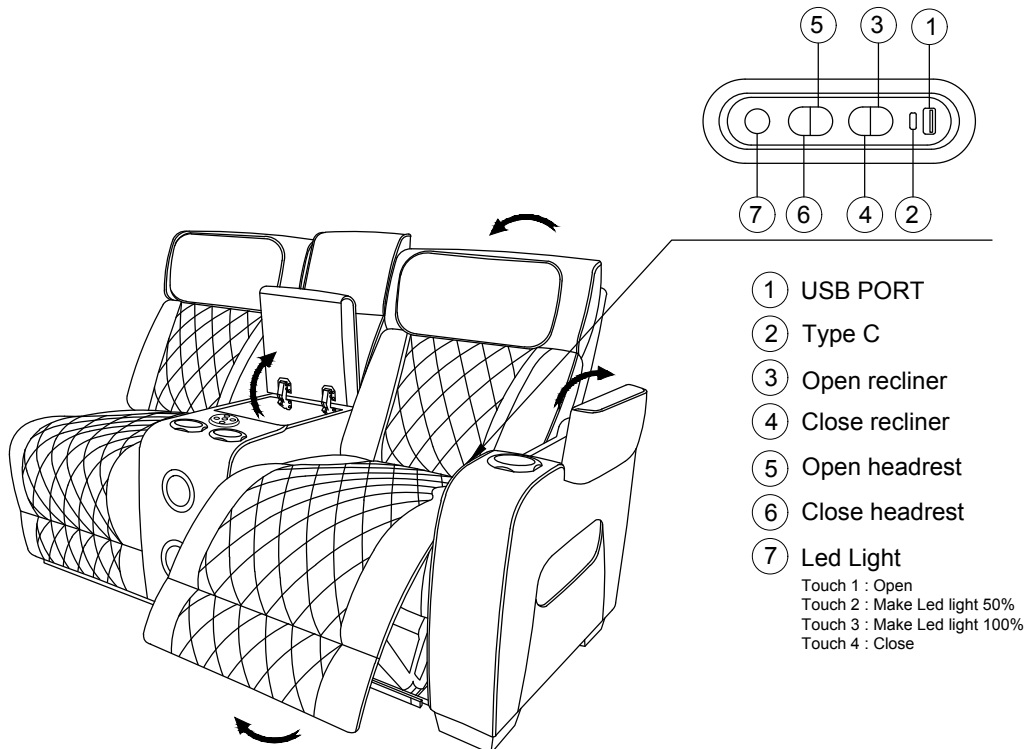
Do not attempt to modify, repair it, please contact store or customer service if you have any issue.

Trying to remove panels or repairing the unit could result electric shock, property damage and injury.

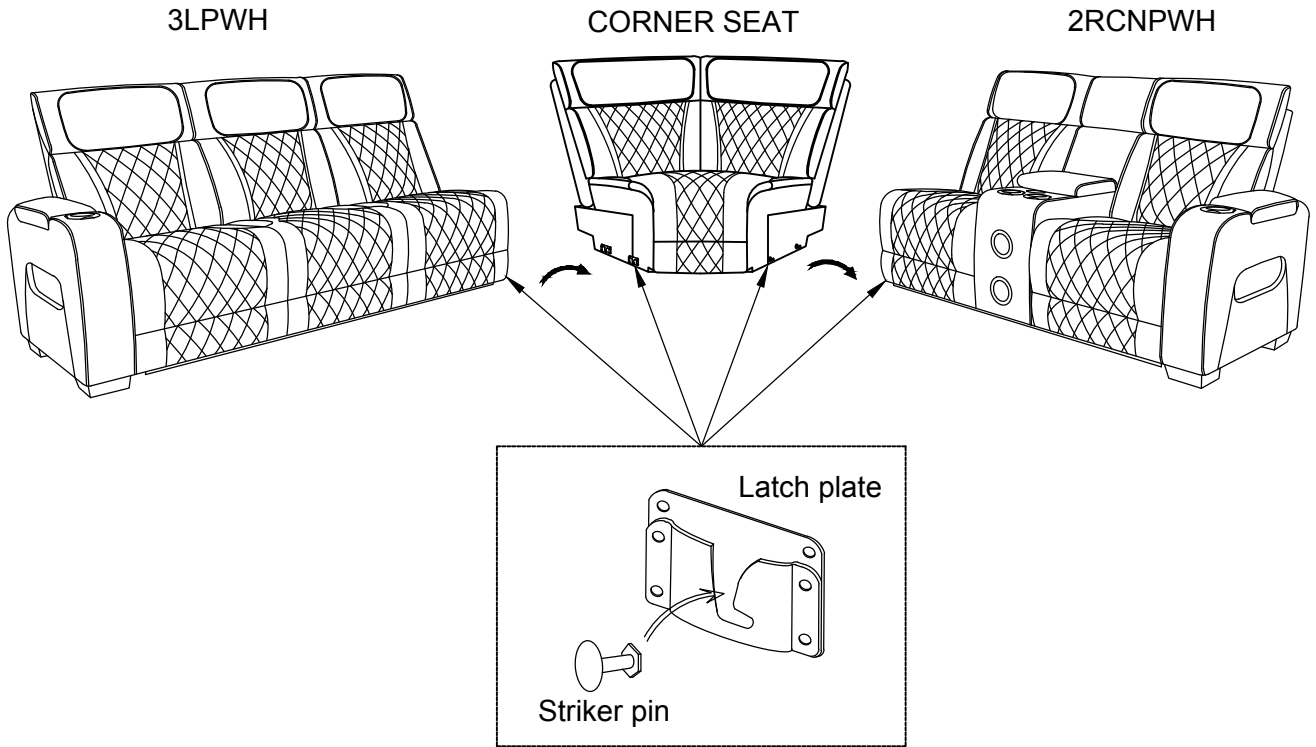
Please connect the unit directly to wall outlet, do not use extension cord.

As for how to pair Bluetooth speaker, please refer to the Instruction Manual

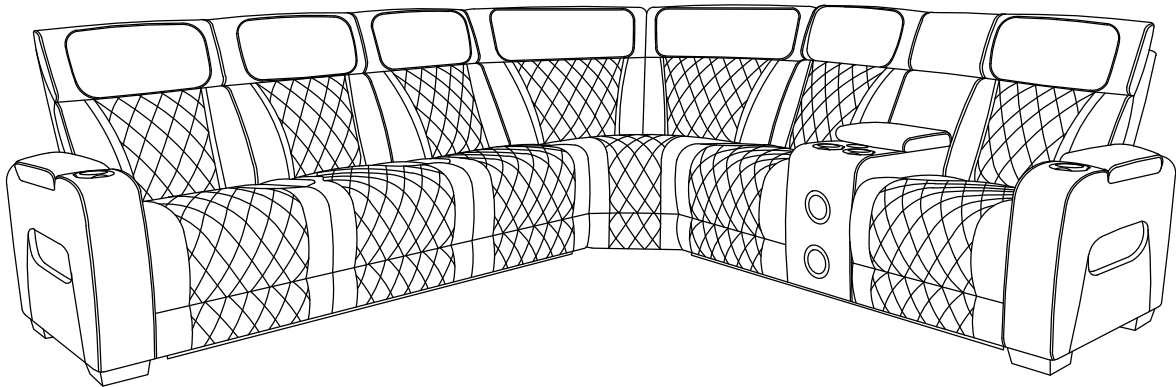
Step #4

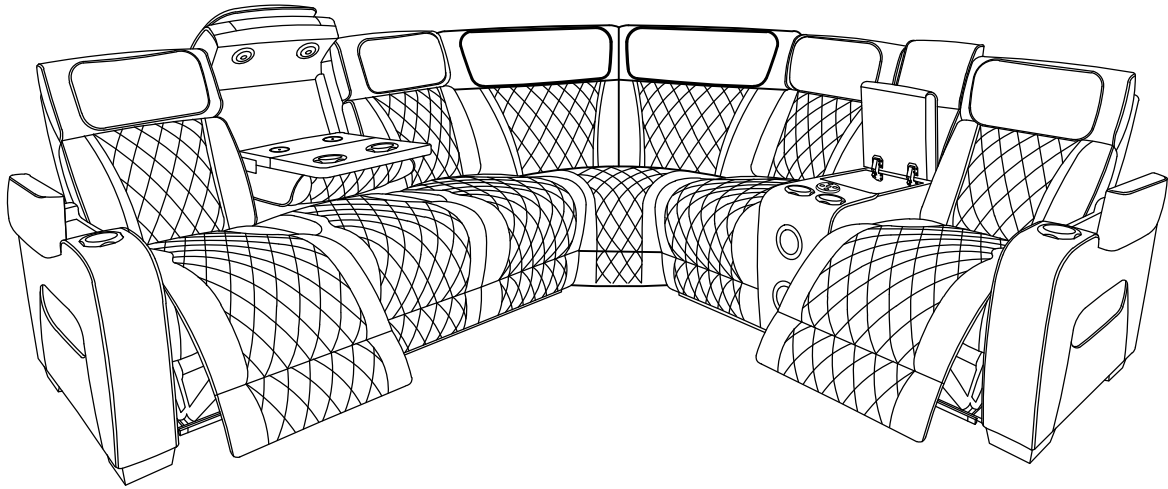


Step #5



Step #6





Care Instruction for PU Furniture:

In order to maintain the original appearance of your PU, please follow below simple care procedures:

- Avoid exposing furniture directly to sunlight or heating and air conditioning outlets. Sunlight and or exposure to heating and air conditioning outlets will fade/damage PU.
- Vacuum or wipe with a soft cloth to remove dust.
- Hardware may loosen over time. Periodically check to make sure all connection are tight, Re-tighten if necessary.



For items use on wooden floor, hard surfaces or carpets, it is recommended to Install protective pads under all legs and supports to avoid/prevent from damages/scratches and discoloration.