



H O M E L E G A N C E

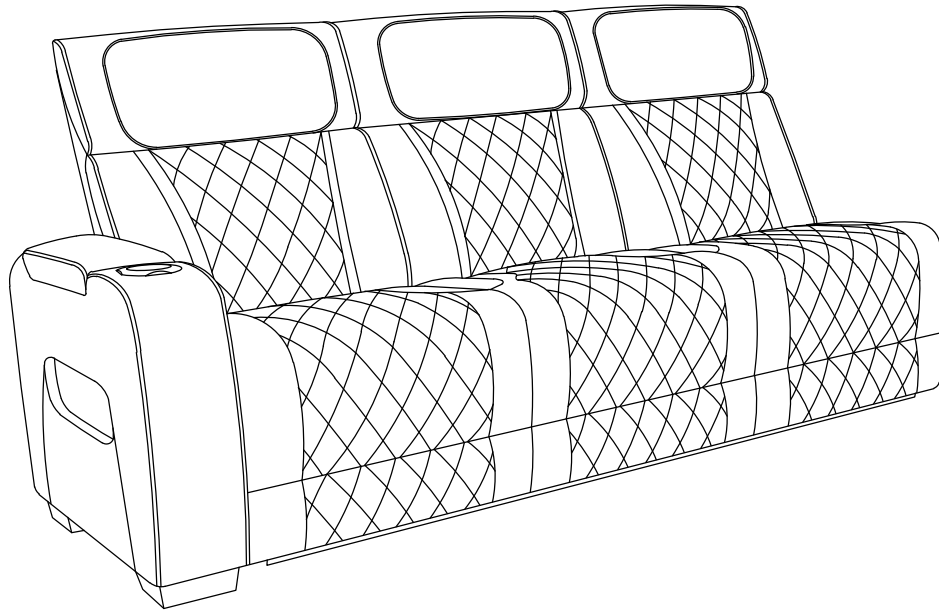
Assembly Instruction

ITEM NO.: 9516BRWS/TPES/BLKS-3LPWH

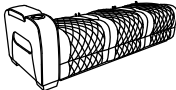




Power left side reclining sofa with center drop-down cup holders, power headrests, storage arms(top and side), cup holders, reading lights, two wireless chargers, charging ports and led lighting



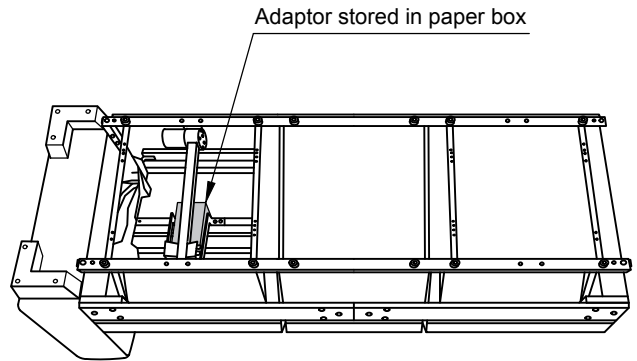
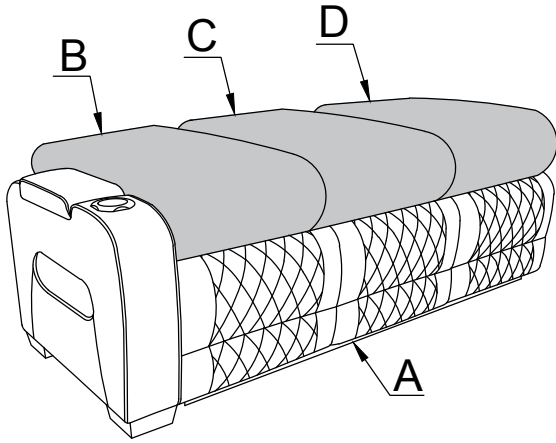
Note: Do not use power tools for assembly. Power tools increase the risk of over tightening which lead to splitting or cracking the wood.



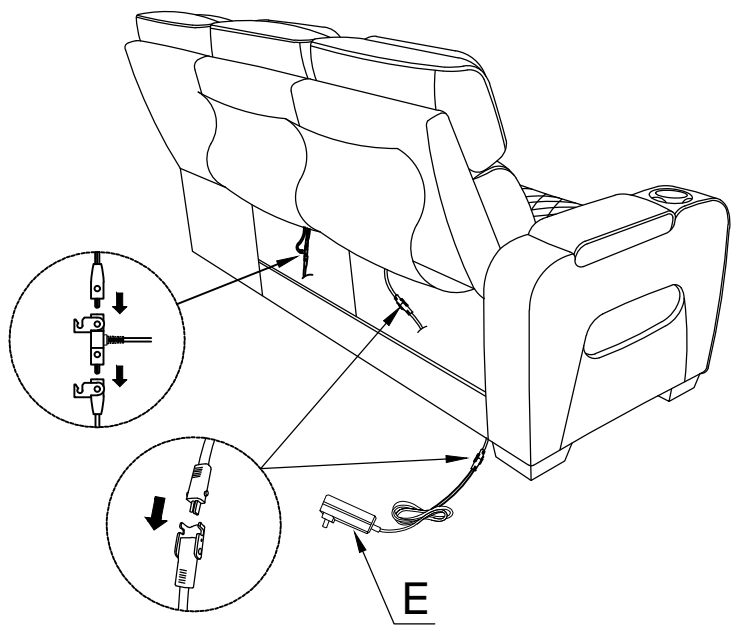
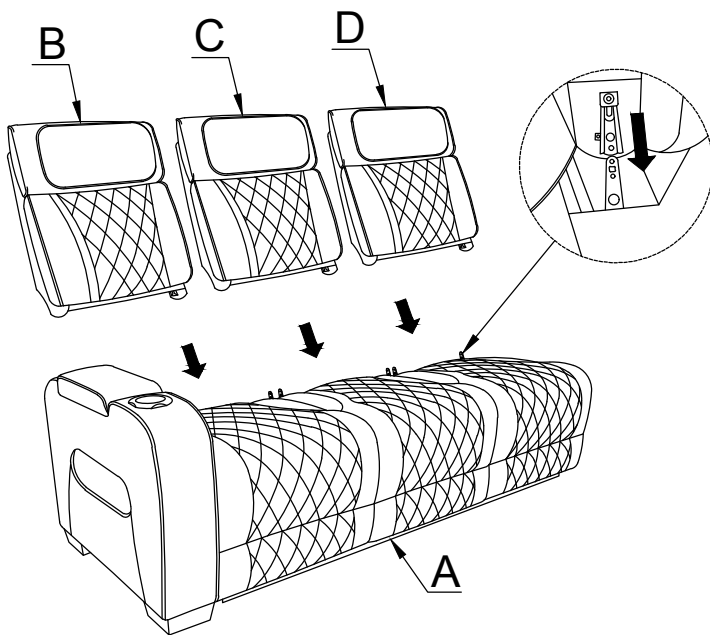
Component list

No	Drawing	Qty	Description
A		1	LSF SEAT
B		1	LSF BACK REST
C		1	MIDDLE BACK REST WITH CENTER DROP DOWN
D		1	RSF BACK REST
E		1	ADAPTOR

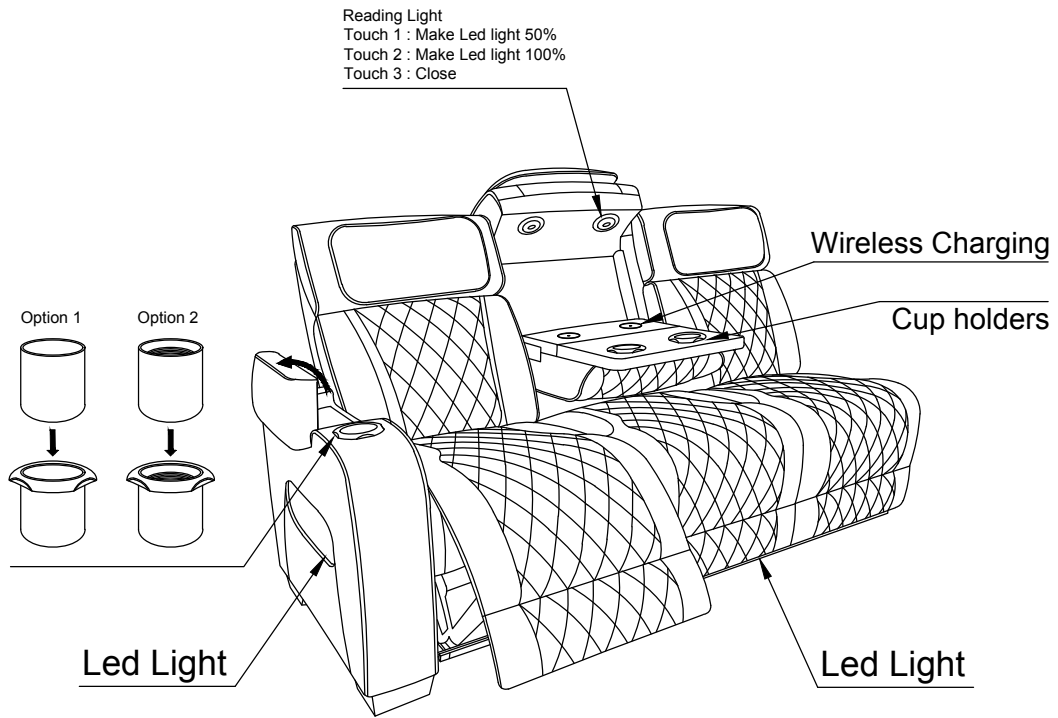
Step #1



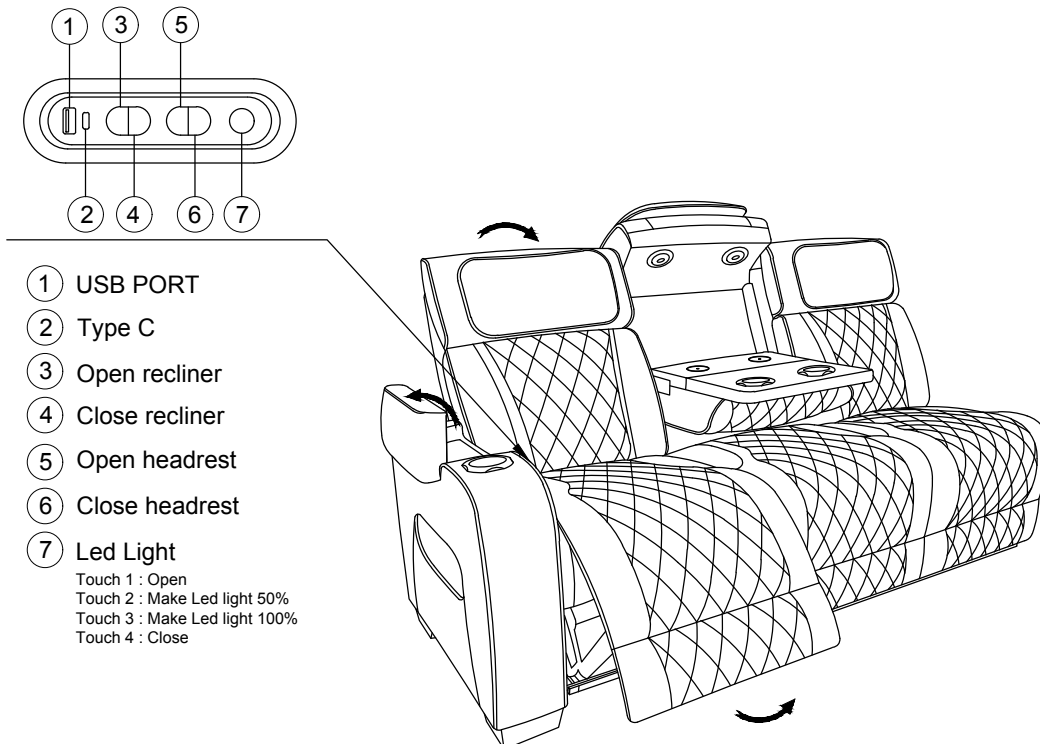
Step #2



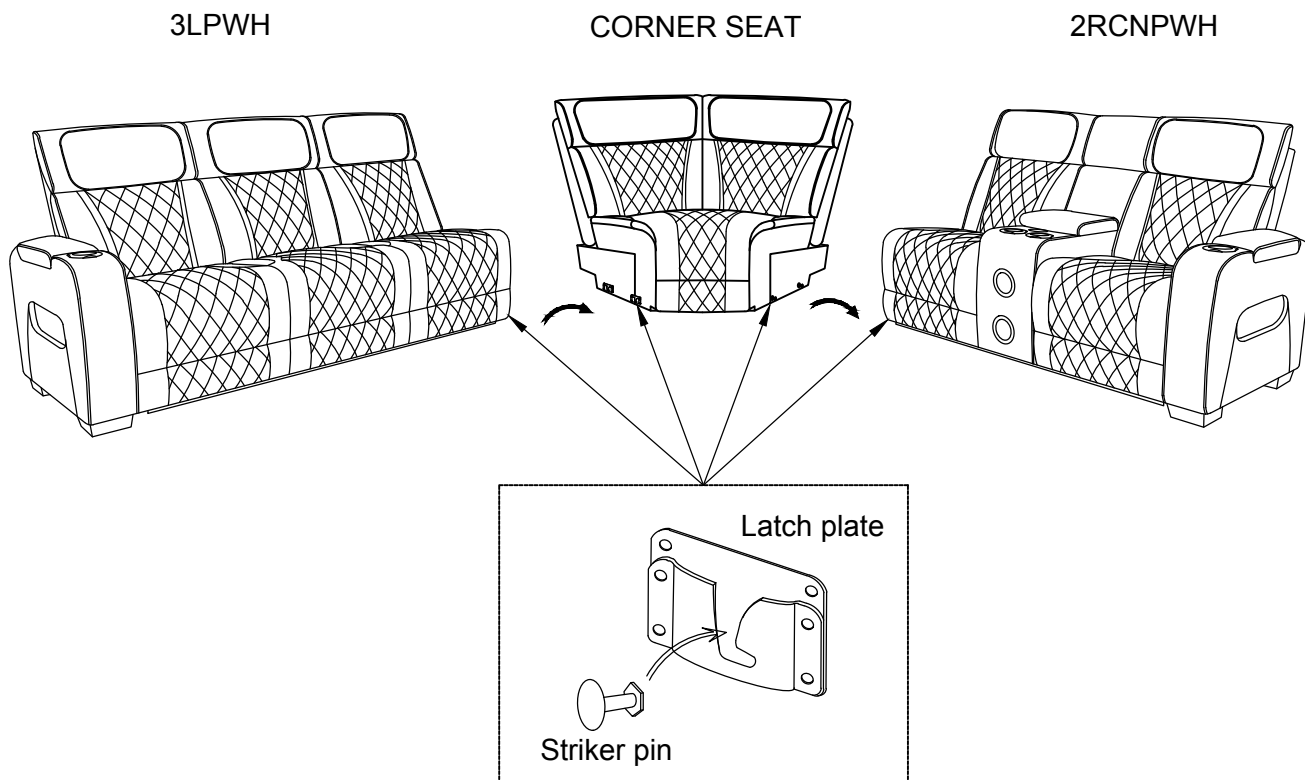
Step #3



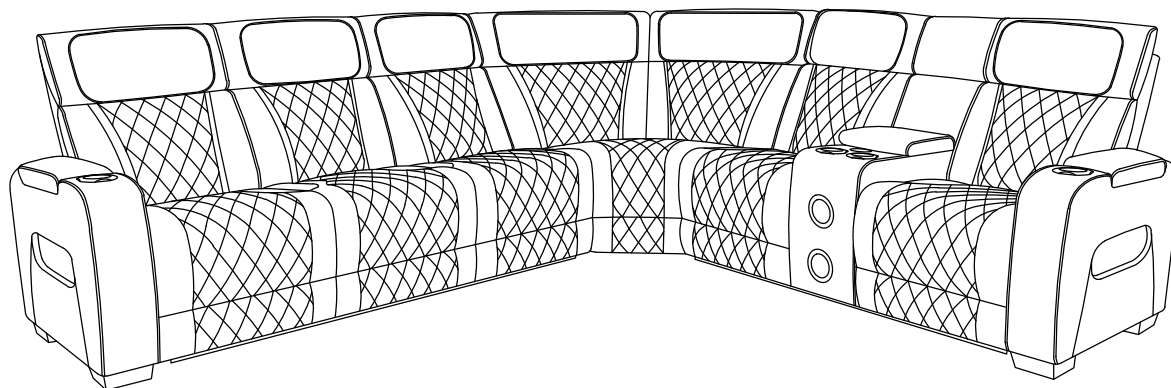
Step #4

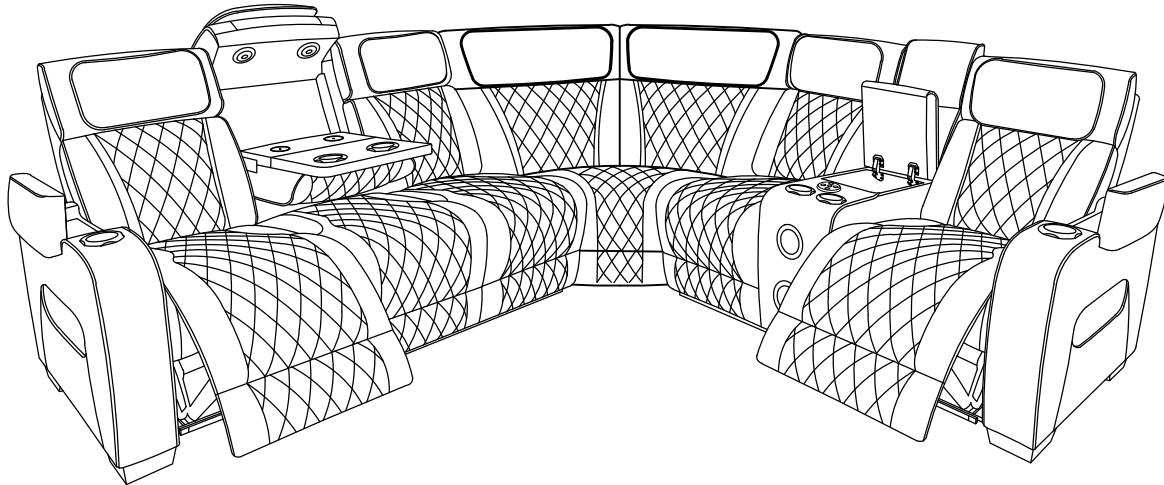


Step #5



Step #6





Care Instruction for PU Furniture:

In order to maintain the original appearance of your PU, please follow below simple care procedures:

- Avoid exposing furniture directly to sunlight or heating and air conditioning outlets. Sunlight and or exposure to heating and air conditioning outlets will fade/damage PU.
- Vacuum or wipe with a soft cloth to remove dust.
- Hardware may loosen over time. Periodically check to make sure all connection are tight, Re-tighten if necessary.



For items use on wooden floor, hard surfaces or carpets, it is recommended to Install protective pads under all legs and supports to avoid/prevent from damages/scratches and discoloration.