



Assembly Instruction

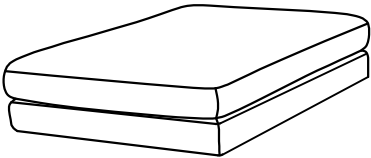
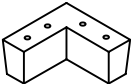
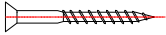
ITEM NO.: 9555BEG/9555BRW-4
Ottoman



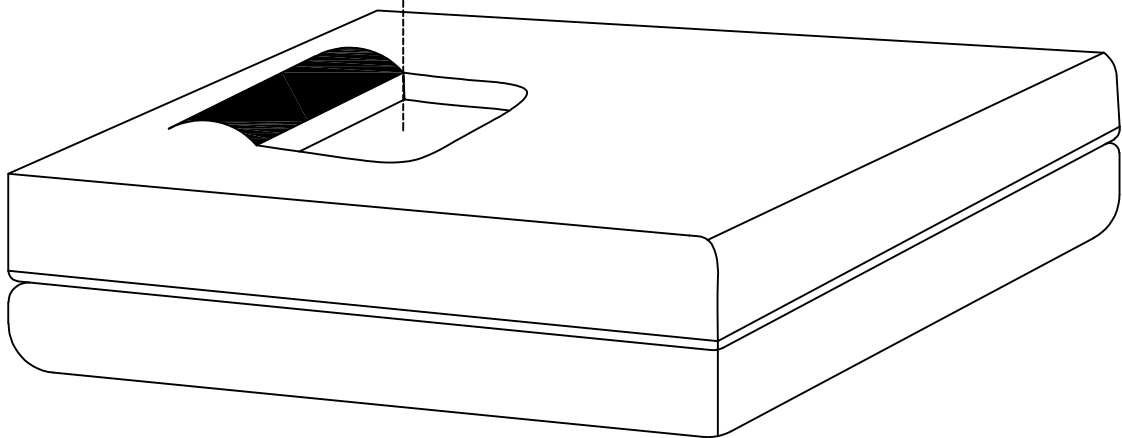
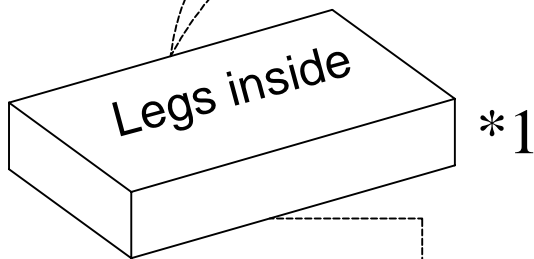
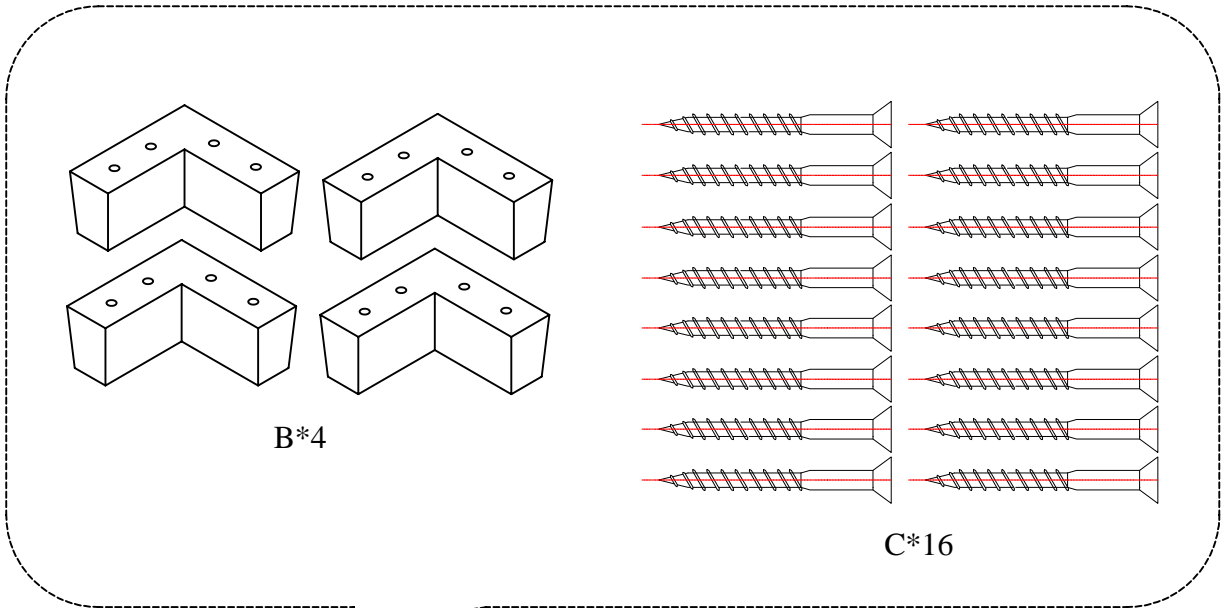
Legs & hardware are stored in the box, please take out the legs and hardware for assembly.

Note: Do not use power tools for assembly. Power tools increase the risk of over tightening which lead to splitting or cracking the wood.

Chair Component list

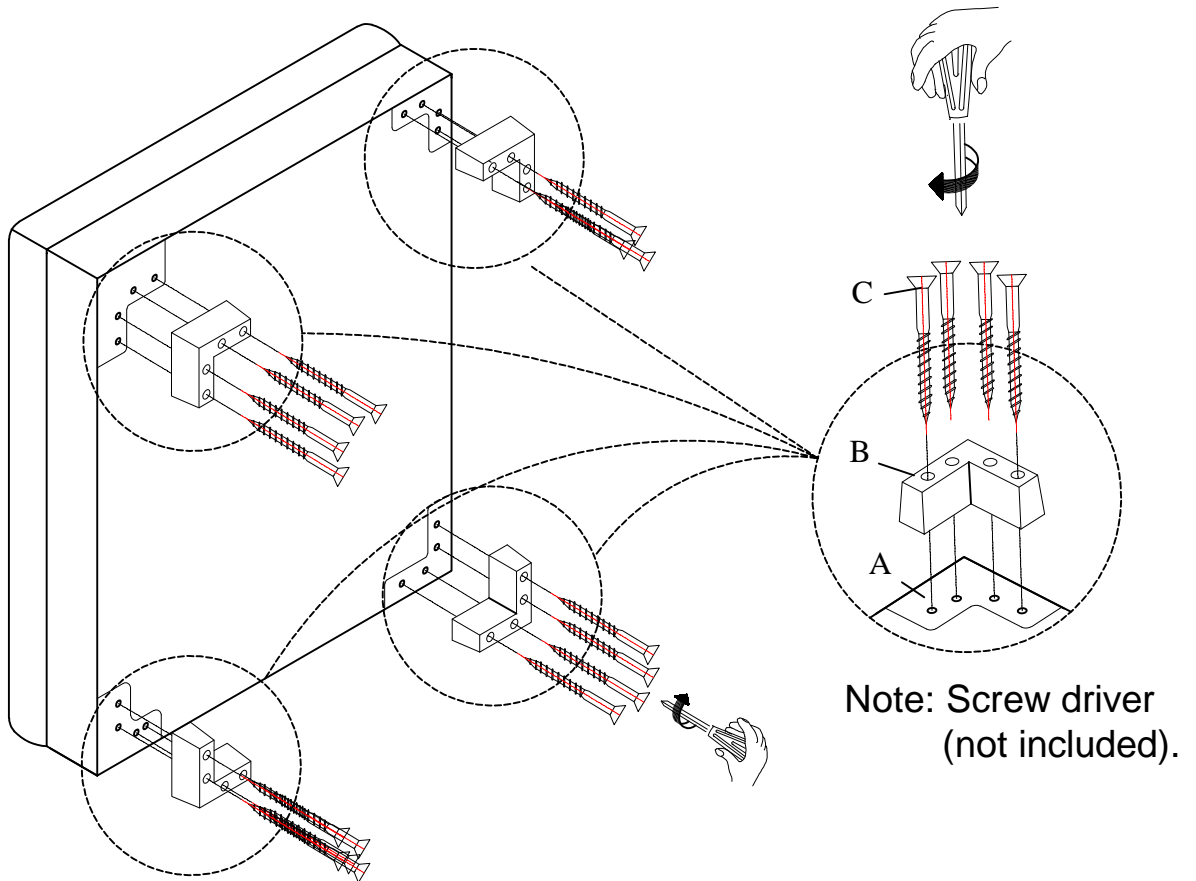
No	Drawing	Qty	Description
A		1	SEAT
B		4	PLASTIC LEG 150*150*70mm
C		16	SCREW M4*70mm

THE PARTS ARE LOCATED INSIDE THE BOX AS BELOW:

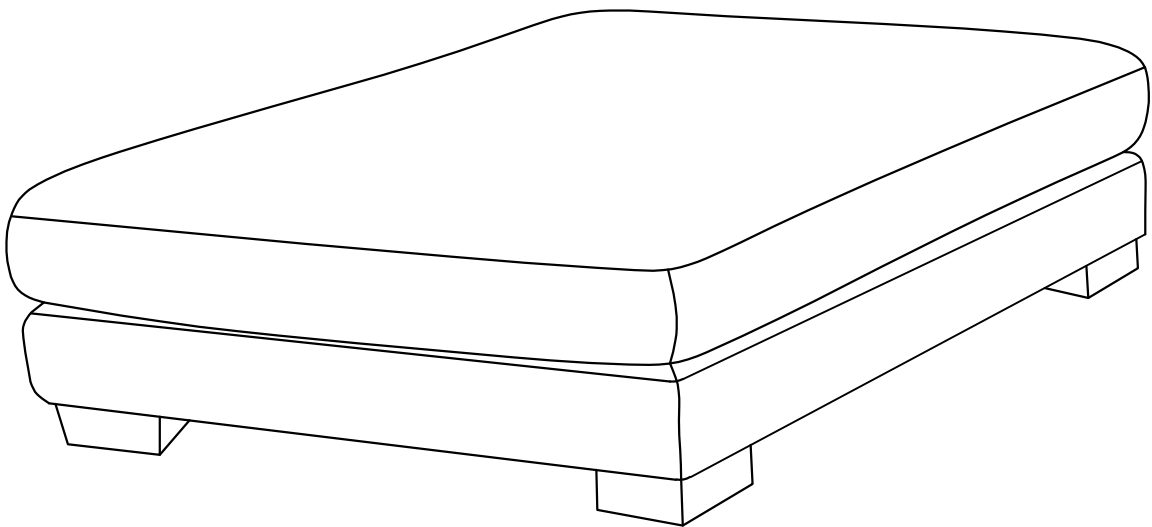


Step #1

Align the feet into the white line, insert the screw, and tighten with a screwdriver.

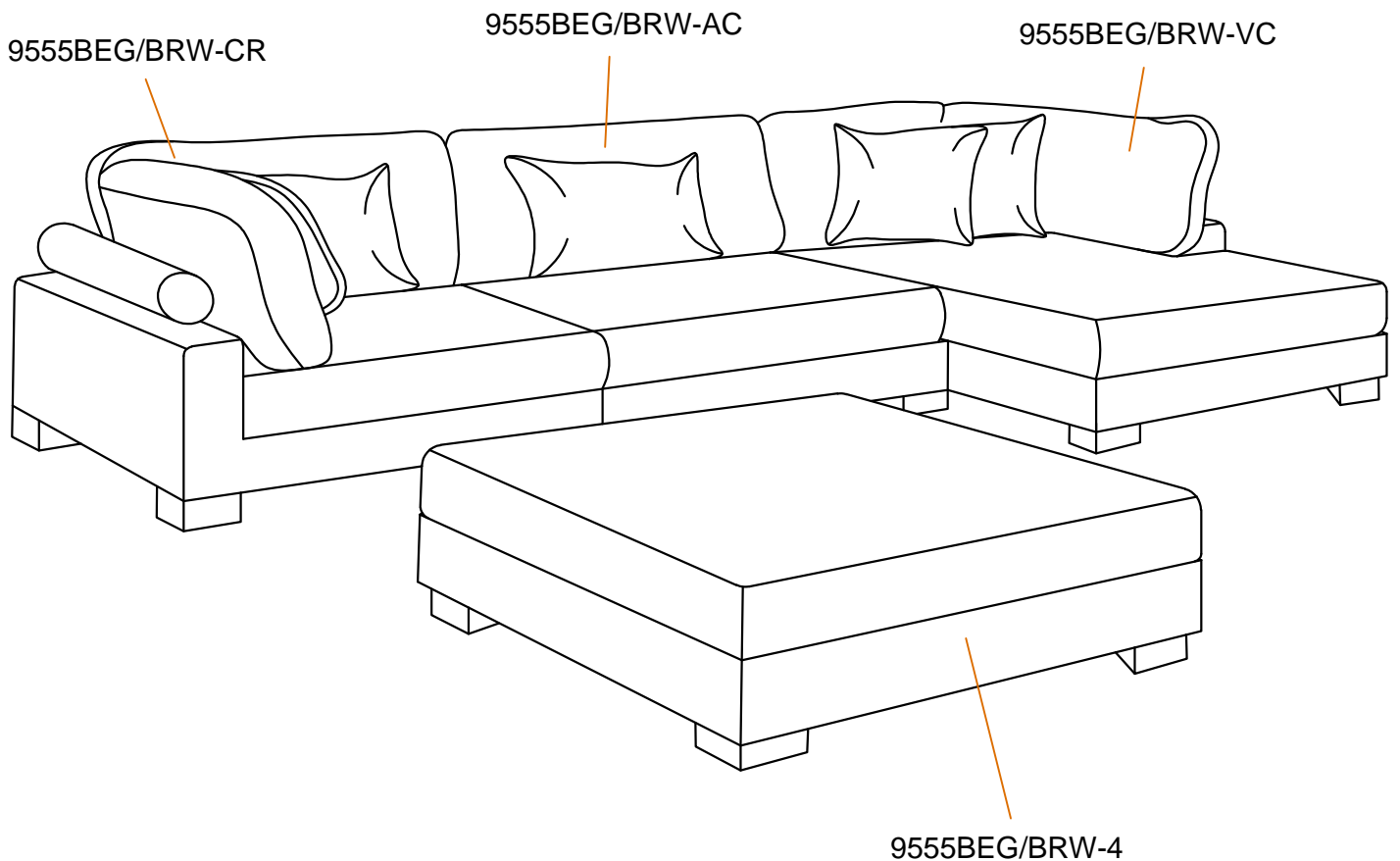


Step #2



Step #3

Assembly completed.



Care Instruction for Textured microfiber Furniture:

In order to maintain the original appearance of your Textured microfiber please follow below simple care procedures:

- Avoid exposing furniture directly to sunlight or heating and air conditioning outlets. Sunlight and/or exposure to heating and air conditioning outlets will fade/damage Textured microfiber. Do not place your upholstered furniture too close to windows, radiators, or vents, and be sure to use windows, radiators, or vents.
- Vacuum or wipe with a soft cloth to remove dust.
- Hardware may loosen over time. Periodically check to make sure all connections are tight. Re-tighten if necessary.



For items use on wooden floor, hard surfaces or carpets, it is recommended to Install protective pads under all legs and supports to avoid/prevent from damages/scratches and discoloration.