



ASSEMBLY INSTRUCTION

ITEM NO.:
9588MDN/GRN/BEG/YLW/GRY/DGY-1PB
PUSH BACK RECLINING CHAIR

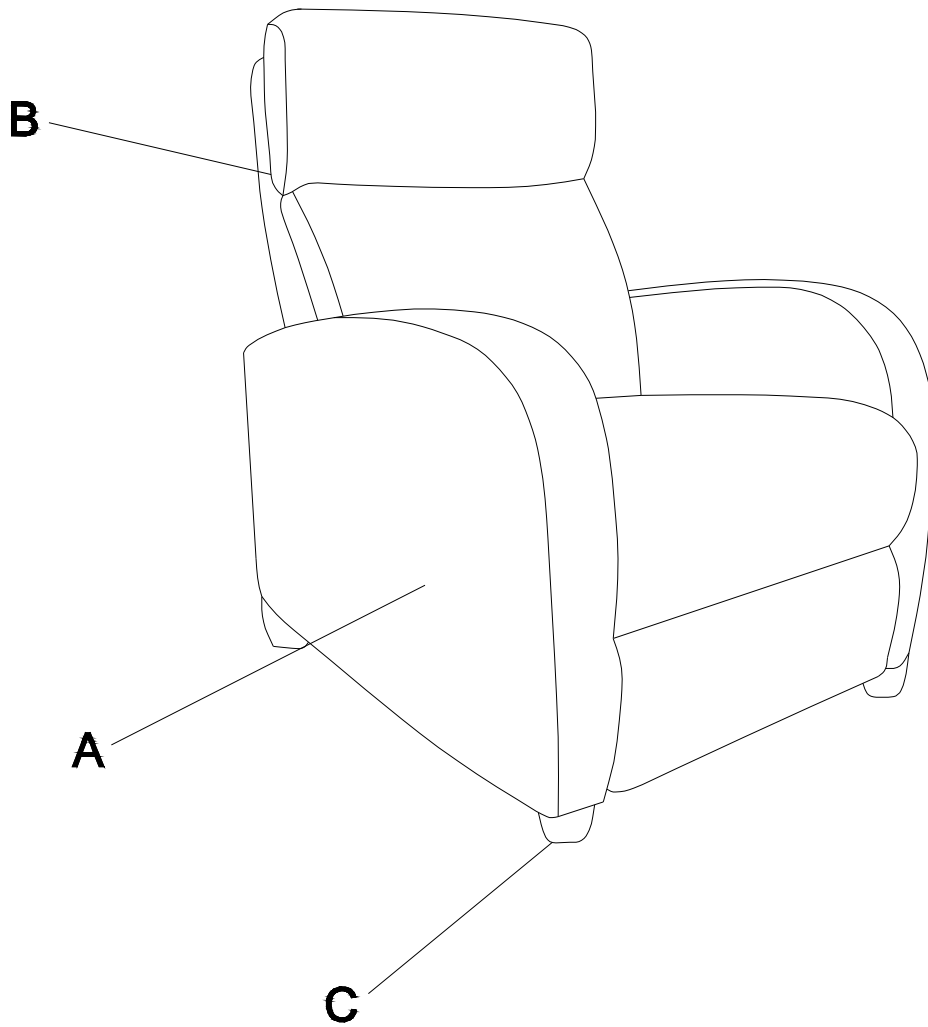


Legs are stored in the box under the seat.
Please take out for assembly.

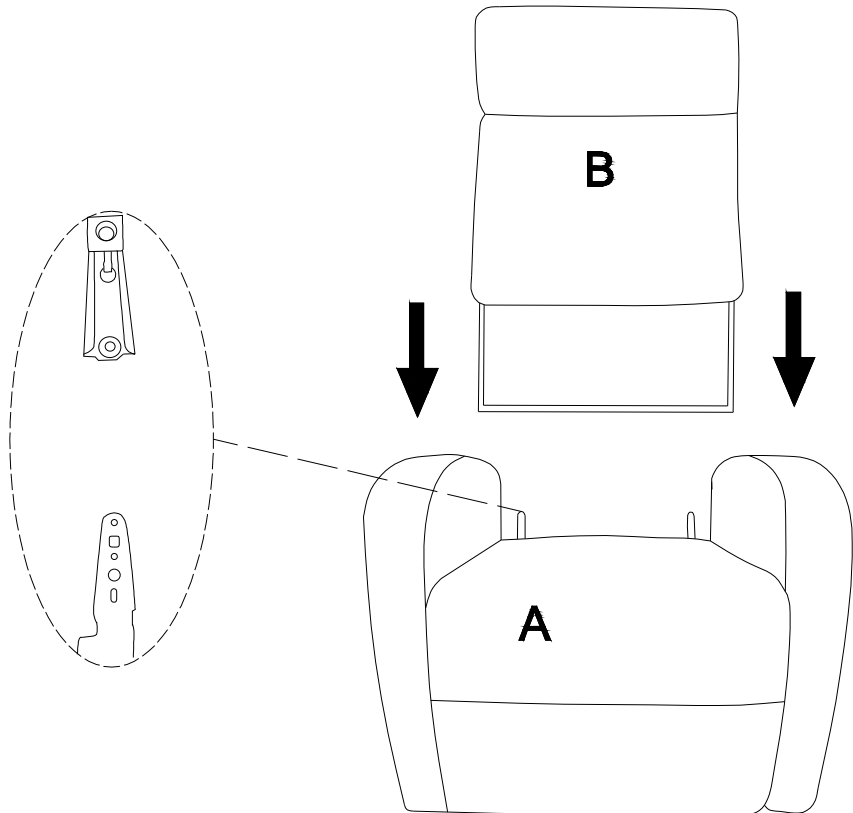
NOTE: Do not use power tools for assembly. Power tools increase the risk of over tightening which lead to splitting or cracking the wood.

| NO. | DRAWING | QTY | DESCRIPTION |
|-----|---|-----|-------------|
| A | A line drawing of a chair seat, showing a rectangular shape with rounded corners and two small protrusions on the sides, likely for attachment to the backrest. | 1 | Seat |
| B | A line drawing of a chair backrest, showing a rectangular shape with a slightly curved top edge and a small protrusion at the bottom center. | 1 | Backrest |
| C | A line drawing of a single plastic leg, showing a trapezoidal shape with a small rectangular protrusion at the top center. | 4 | Plastic Leg |

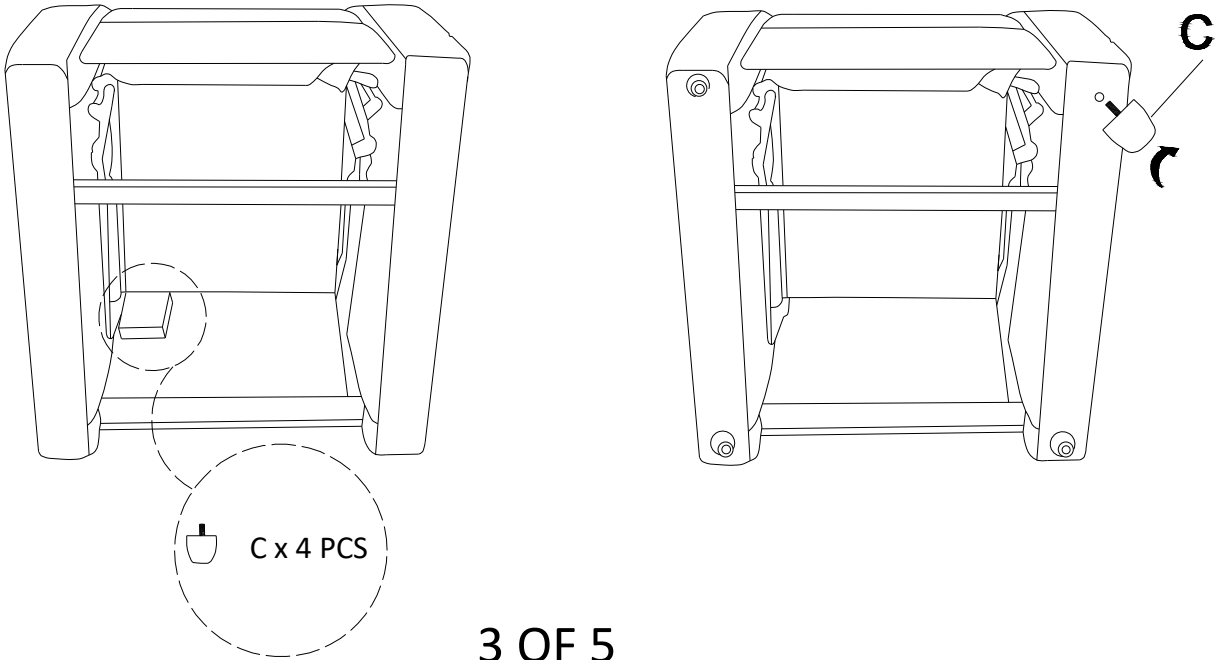
Exploded View



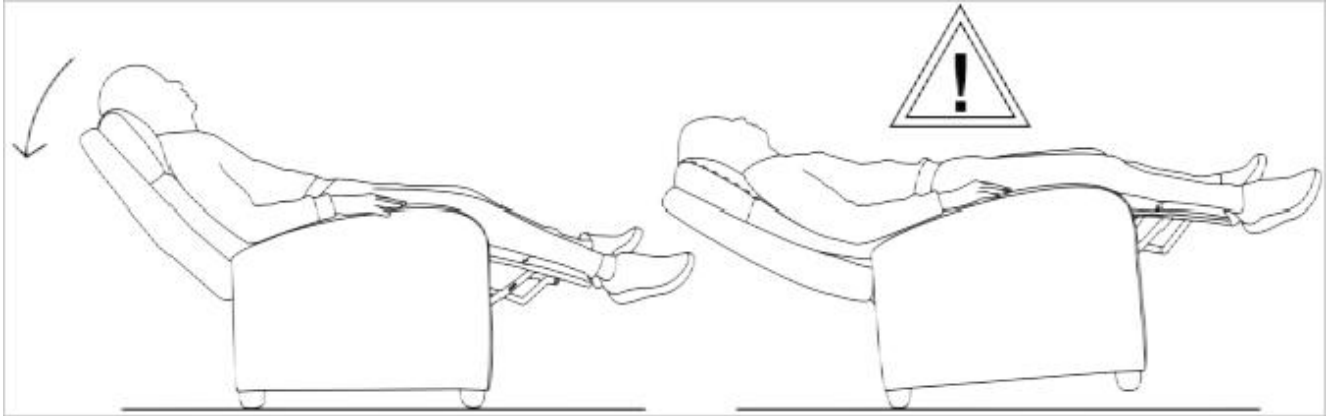
STEP 1:



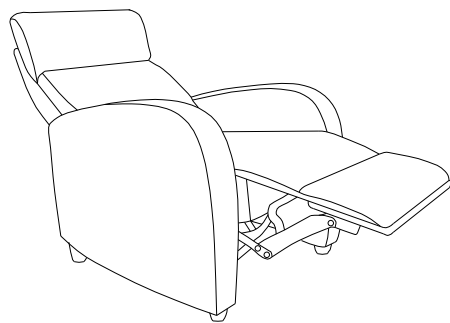
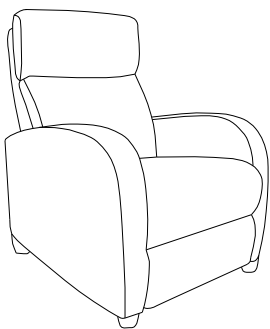
STEP 2:

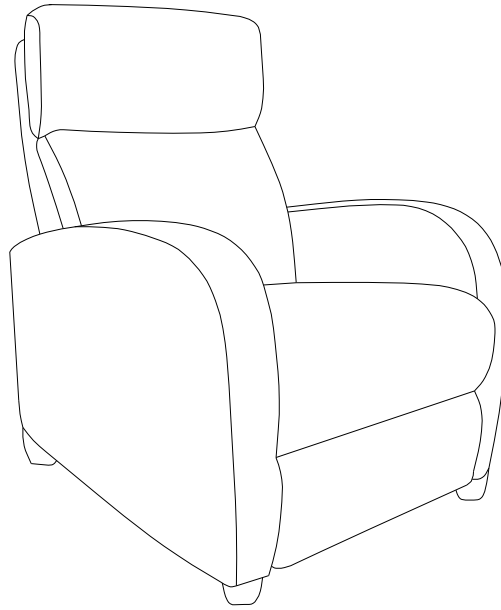


STEP 3:



STEP 4:





Care instruction for Corduroy furniture:

In order to maintain the original appearance of your Corduroy furniture, please follow below simple care procedures:

- Avoid exposing furniture directly to sunlight or heating or heating conditioning outlets. Sunlight and or exposure to heating and air conditioning outlets will fade/damage Corduroy.
- Do not place your upholstered furniture too close to windows, radiators, or vents, and be sure to use windows, radiators, or vents.
- Vacuum or wipe with a cloth regularly to remove dust.



For items used on wooden floor, hard surfaces or carpets, it is recommended to install protective pads under all legs and supports to avoid/prevent from damages/scratches and discoloration.