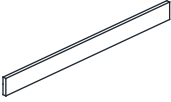
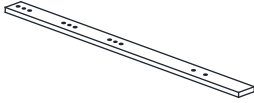
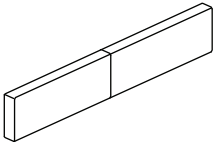
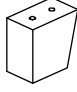
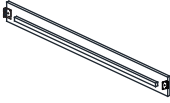
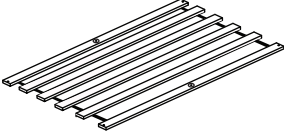
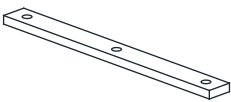


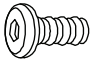
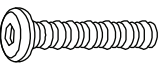




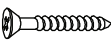
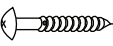


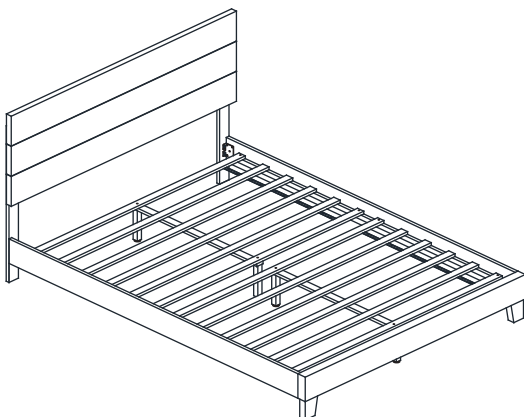


ASSEMBLY INSTRUCTION

SH251BGE-1 / SH251DGR-1 / SH251GRY-1

1 Headboard With Label "1"  x3	2 Headboard Post  x2	3 Footboard  x1	4 Footboard Leg  x2	5 Side Rail  x2
6 Slat  x2	7 Headboard Support (Short)  x1	8 Center Support Rail  x2	9 Support Leg with adjustable feet  x4	A Bolts M8 x 20mm  x8
B Bolts M8 x 35mm  x9	C Bolts M6 x 100mm  x2	D Wood Dowel M8 x 30mm  x2	E Lock Washer M8 x 13mm  x9	F Flat Washer M8 x 22mm  x9
G Screw M4 x 32mm  x8	H Panhead Screw M4 x 25mm  x6	I Allen Key M5 x 65mm  x1	J Allen Key M4 x 100mm  x1	

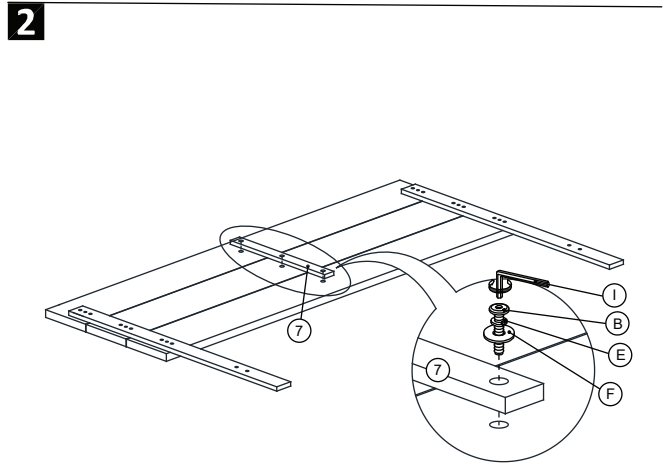
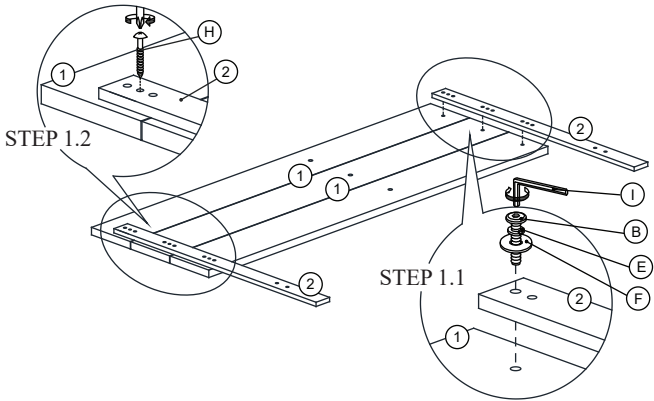


This page lists all the contents included in the box. Please take the time to identify the hardware as well as the individual components to this product. As you unpack and prepare for assembly, place the contents on a carpeted or padded area to protect them from damage.

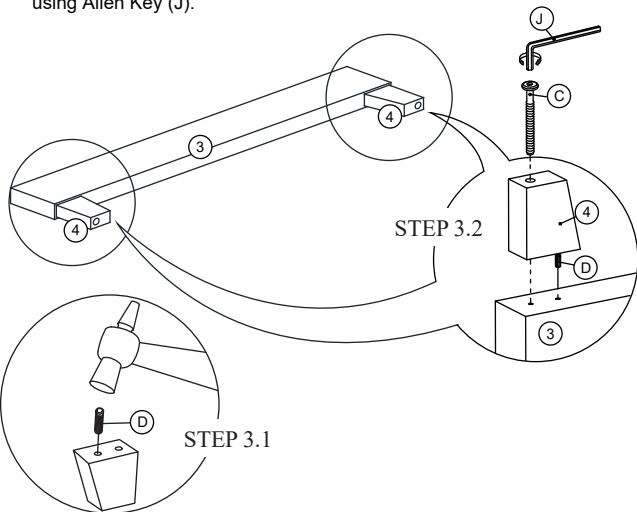
ASSEMBLY INSTRUCTION

SH251BGE-1 / SH251DGR-1 / SH251GRY-1

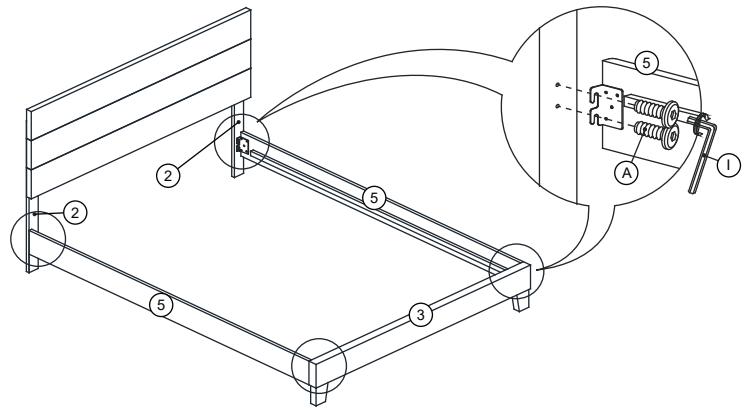
1 Begin assembly by attaching each Headboard Leg (2) to the bottom of the Headboard (1) by aligning the hole and securing with 3 Allen Bolts (B), 3 Lock Washer (E), 3 Flat Washer (F), 3 screw (H) per leg using Allen Key (I).
(DO NOT FULLY TIGHTEN BOLTS FOR THIS STEP)



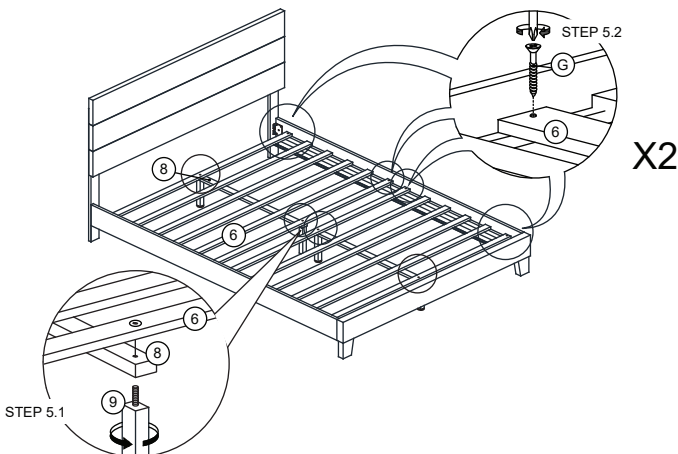
3 Attach each Footboard Legs (4) to the bottom of the Footboard (3) by inserting a Dowel (D) & securing with 1 Allen Bolt (C) per leg using Allen Key (J).



4 Attach Side Rail to the Headboard Leg (2) and Footboard (3). Aligning holes, and securing with 2 Allen Bolts (A) each and using Allen Key (I).
(DO NOT FULLY TIGHTEN BOLTS FOR THIS STEP)
*Attach bolts to Headboard Leg & Footboard first, follow by slot in the Side Rail.



5 Attach Slat (6) to Side Rail by Securing with 4 Screw (G) each side. Tighten all screws using philips head screw driver (NOT INCLUDED). Tighten all bolts using Allen Key (I) & (J).



Cleaning & Care

Treat surface with care. Surface is resistant to scratches but is not scratch resistant. Clean surfaces with a dry or damp soft cloth. Do not use abrasive cleaners. Hardware may loosen over time. Periodically check that all connections are tight.