

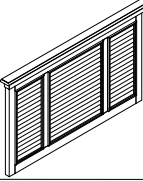


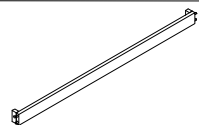

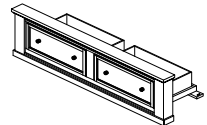

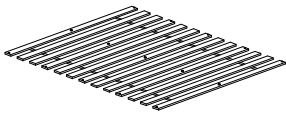
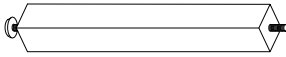
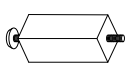
ASSEMBLY INSTRUCTION

QUEEN BED

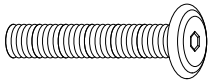

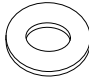

ITEM NO: 1714NW-1: (1/3) QUEEN BED HEADBOARD
 1714W-2: (2/3) QUEEN FOOTBOARD & SLATS
 1714NW-3: (3/3) QUEEN/EASTERN KING SIZE RAILS

Thank you for purchasing this quality product. Be sure to check all packing material carefully for small parts that may have come loose inside the carton during shipment.


PART LISTS

NO	Description	Sketch	Q'ty
A	Headboard		1 pc
B-1	RSF Headboard leg		1 pc
B-2	LSF Headboard leg		1 pc
C	Headboard cross bar		1 pc
D	Side rails		2 pcs
E	Footboard		1 pc
F	Footboard bunfoot		2 pcs
G	Slat		1 set
H	Slat support leg		4 pcs
I	Drawer support leg/Pied de tiroir		2 pcs


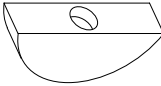
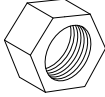

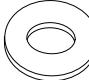

HARDWARE PACK (PUT IN 1714NW-1 CARTON)

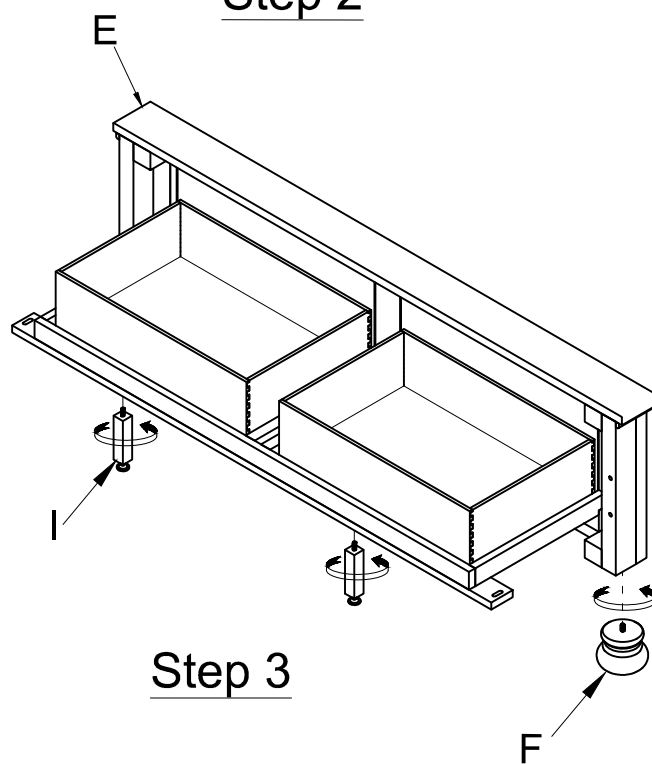
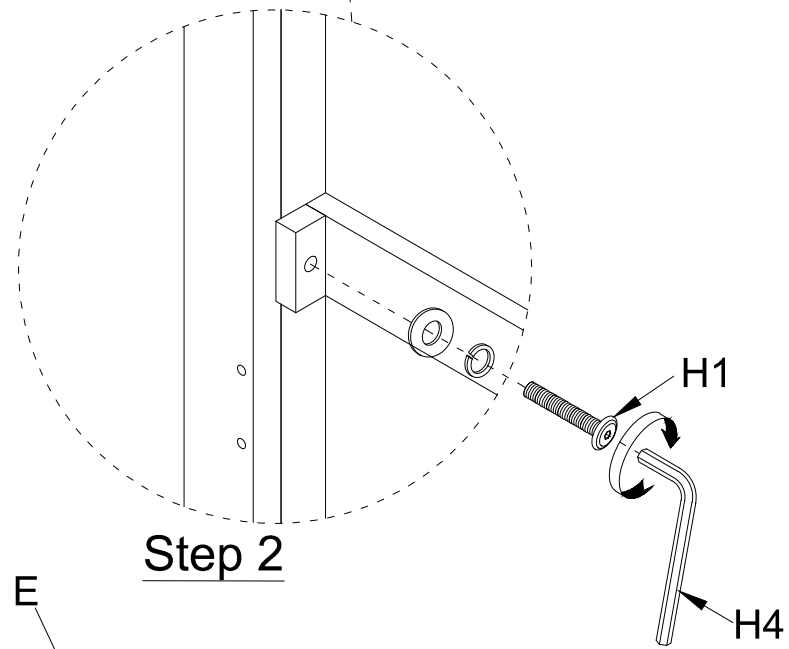
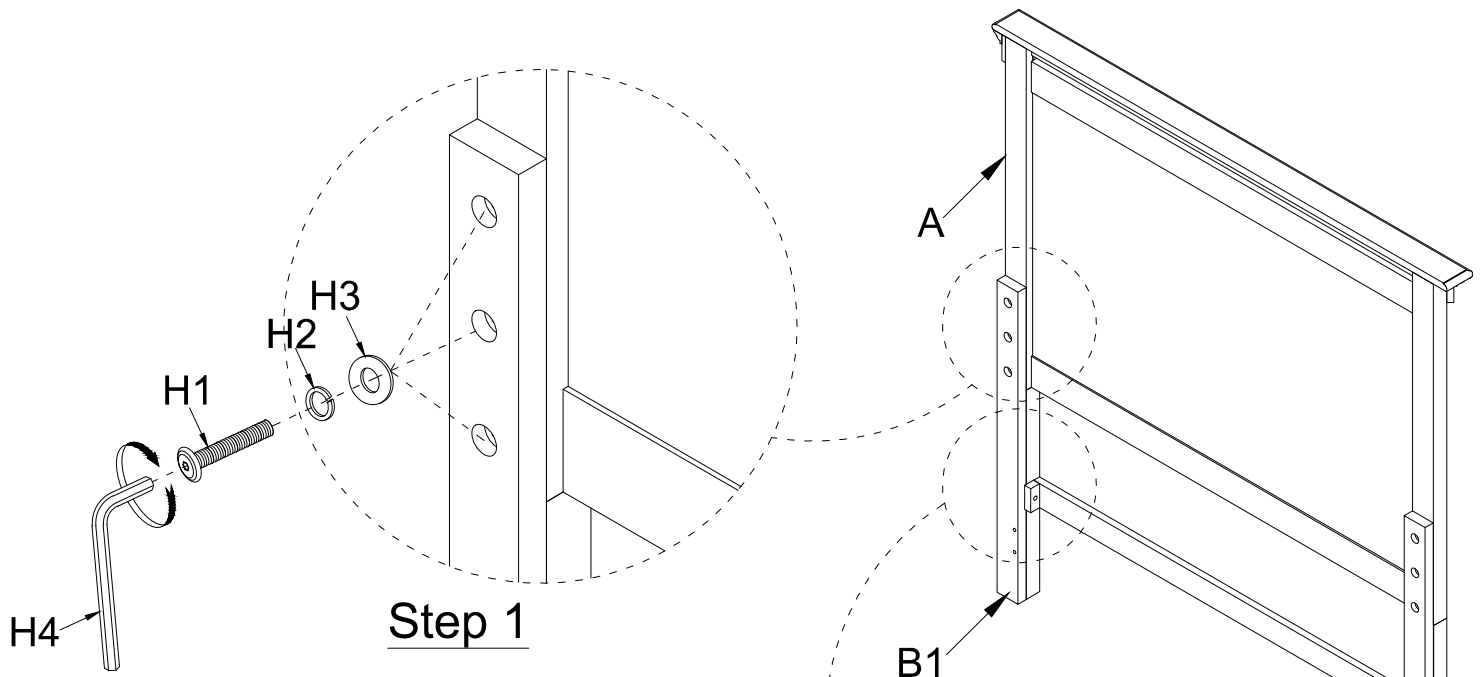
NO	Description	Sketch	Size	Q'ty
H1	Bolt		5/16"-18 x 1-3/8"	8 pcs
H2	Spring washer		0.314"ID x 0.583"OD x 0.078"TK	8 pcs
H3	Flat washer		0.344"ID x 0.688"OD x 0.065"TK	8 pcs
H4	Allen key		1/6"	1 pc

HARDWARE PACK (PUT IN 1714W-2 CARTON)

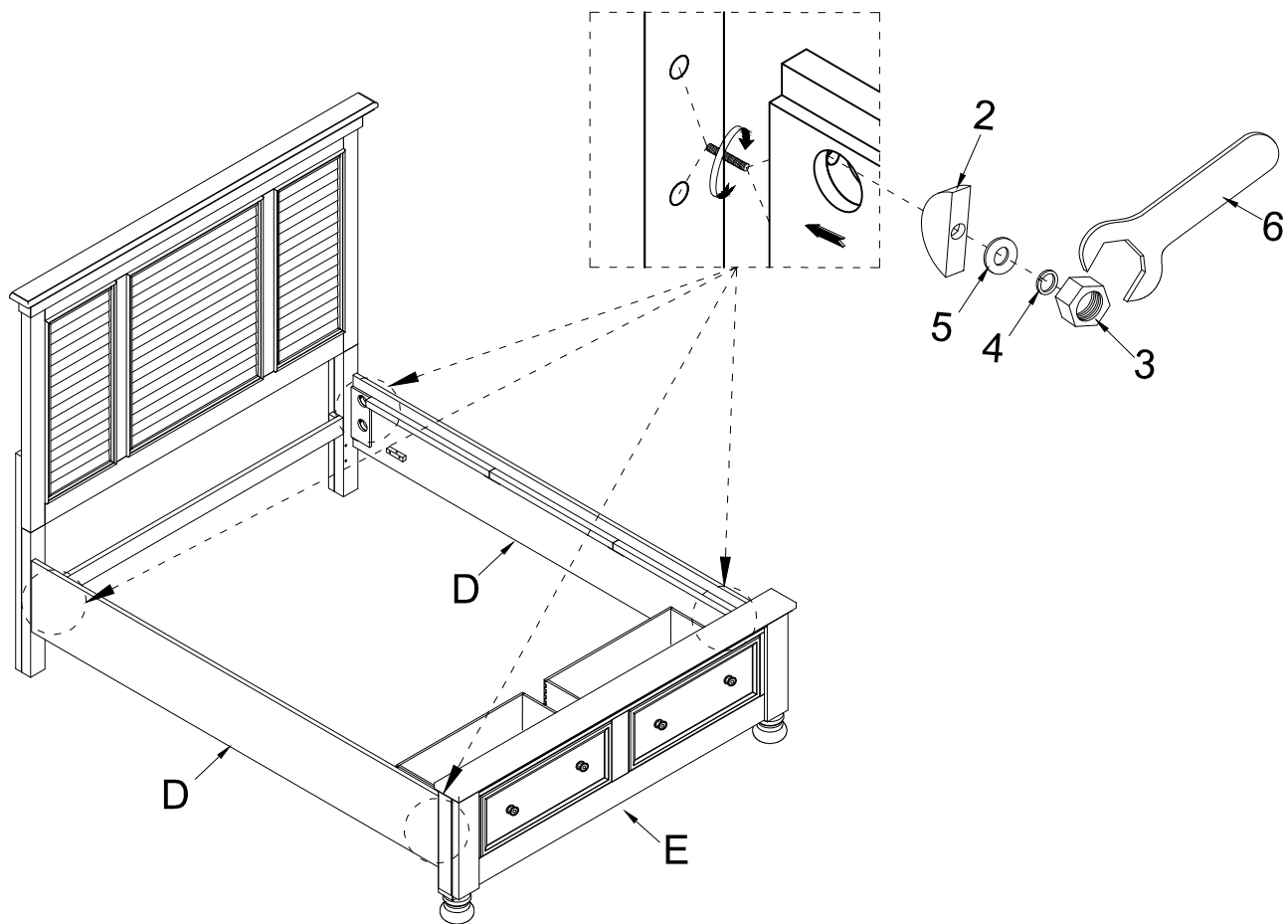
NO	Description	Sketch	Size	Q'ty
F1	Screw		5/32" x 1-3/16"	10 pcs

HARDWARE PACK (PUT IN 1714NW-3 CARTON)

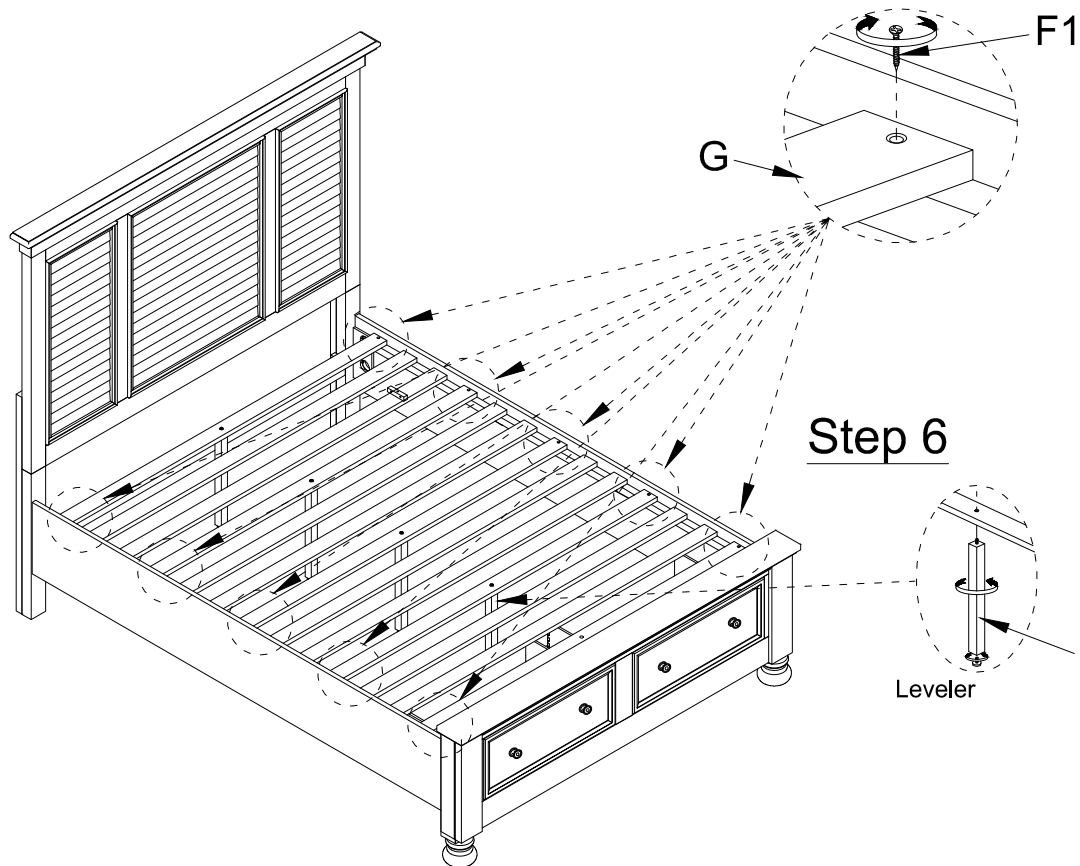
NO	Description	Sketch	Size	Q'ty
1	Thread rod		5/16"-18 x 3-1/8"	8 pcs
2	Half moon washer		5/16"ID x 1-1/8" x 9/16" x 9/32"	8 pcs
3	Hex nut		5/16"-1/2" x 9/16" x 17/64"TK	8 pcs
4	Spring washer		0.314"ID x 0.583"OD x 0.078"TK	8 pcs
5	Flat washer		0.344"ID x 0.688"OD x 0.065"TK	8 pcs
6	Wrench		1/2"	1 pc



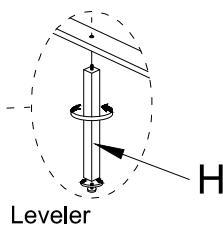
Step 4

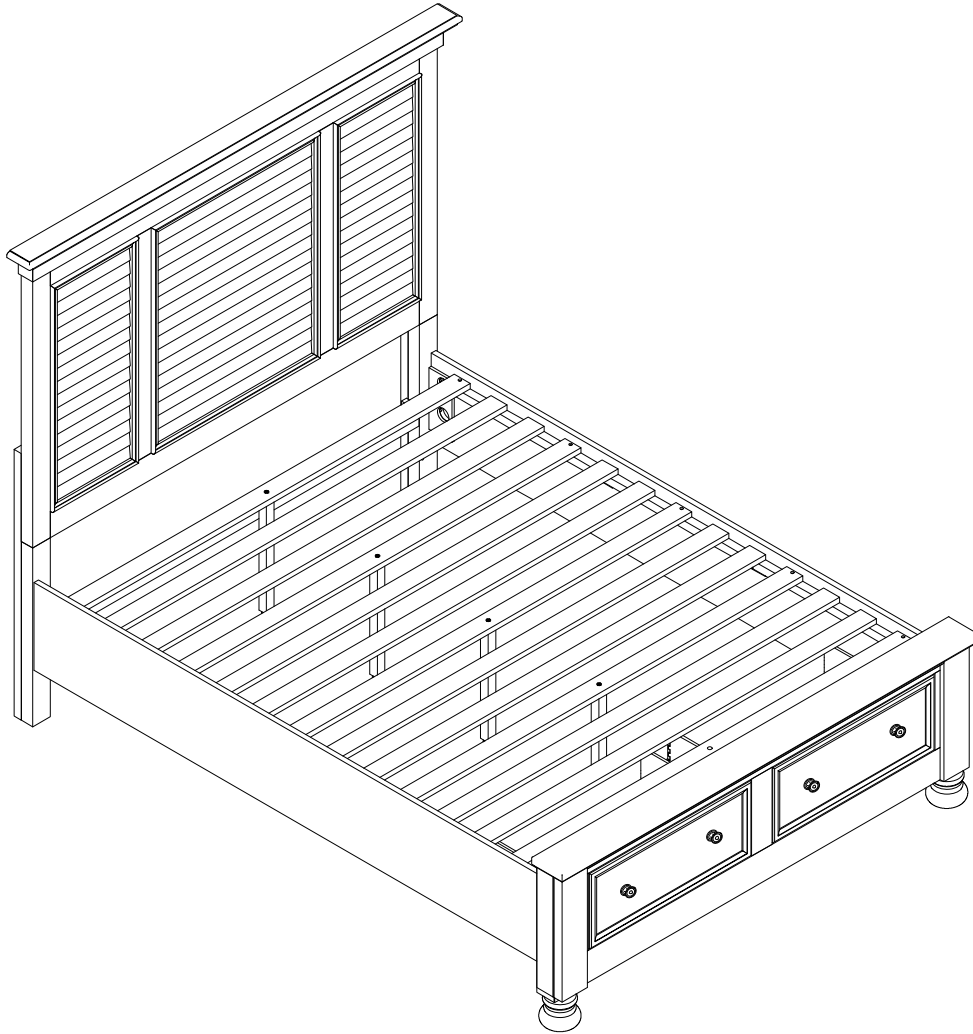


Step 5



Step 6





COMPLETED

DO NOT TIGHTEN BOLTS UNTIL COMPLETELY ASSEMBLED.



It is recommended to install protective pads under all legs and supports to avoid damage or scratches when placing furniture on a wood floor or other hard surface, and to limit indentation and prevent discoloration if placing on carpet.