








ASSEMBLY INSTRUCTION

SH2235-6 MIRROR

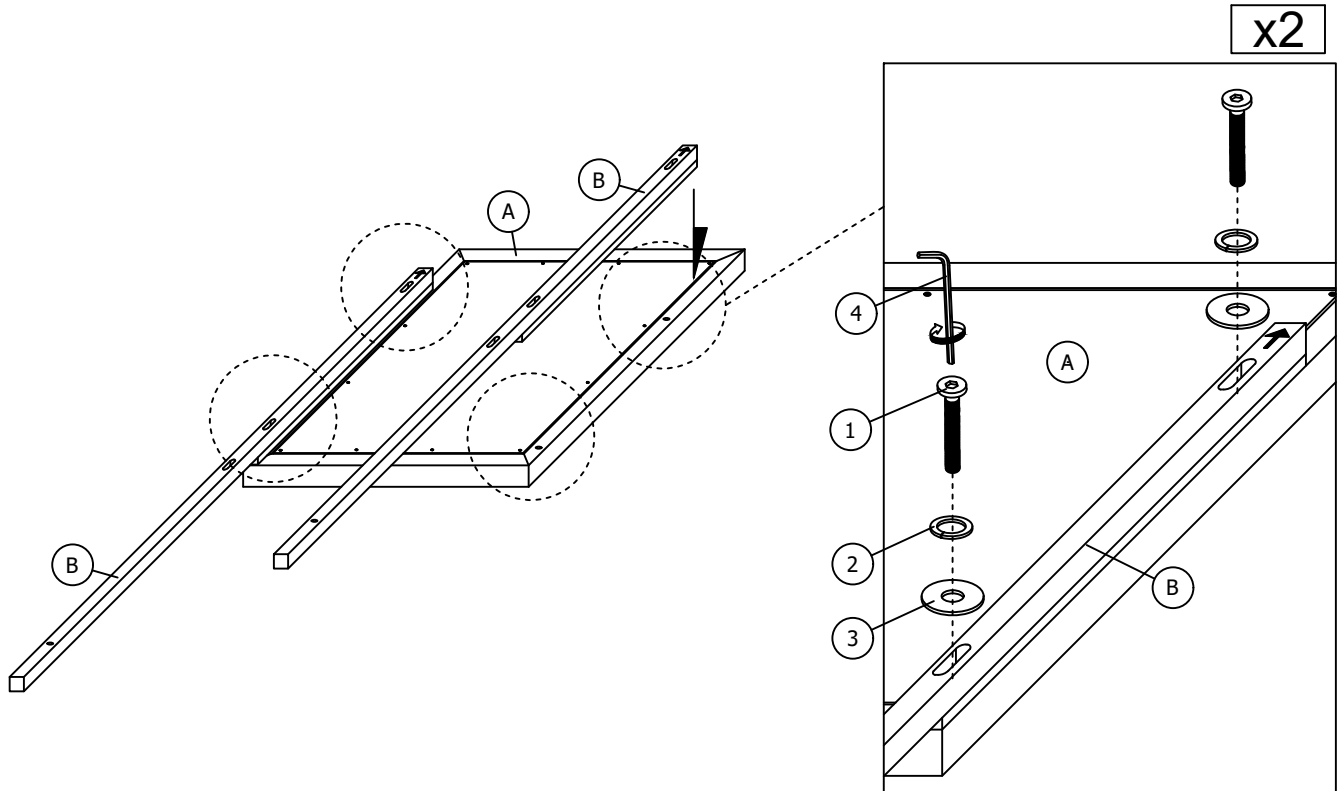
Thank you for purchasing this product. Please take time to read and follow the instructions below. Check that you have all parts and hardware before assembly. Parts apparently missing are often found in the packing materials. If you do not have all the parts listed, have your dealer contact us and they will be sent to you immediately.

⚠ It is recommended to install protective pads under all legs and supports to avoid damage or scratches when placing furniture on a wood floor or other hard surface, and to limit indentation and prevent discoloration if placing on carpet.

PARTS LIST			
ITEM	DESCRIPTION	SKETCH	QTY
A	MIRROR		1 PC
B	MIRROR SUPPORT RAIL		2 PCS
C	DRESSER		1 PC

HARDWARES LIST			
ITEM	DESCRIPTION	SKETCH	QTY
1	JCBC SCREW (M6 x 50MM)		8 PCS
2	SPRING WASHER (M6 x 13MM)		8 PCS
3	FLAT WASHER (M6 x 19MM)		8 PCS
4	ALLEN KEY (M4 x 65MM)		1 PC

STEP 1



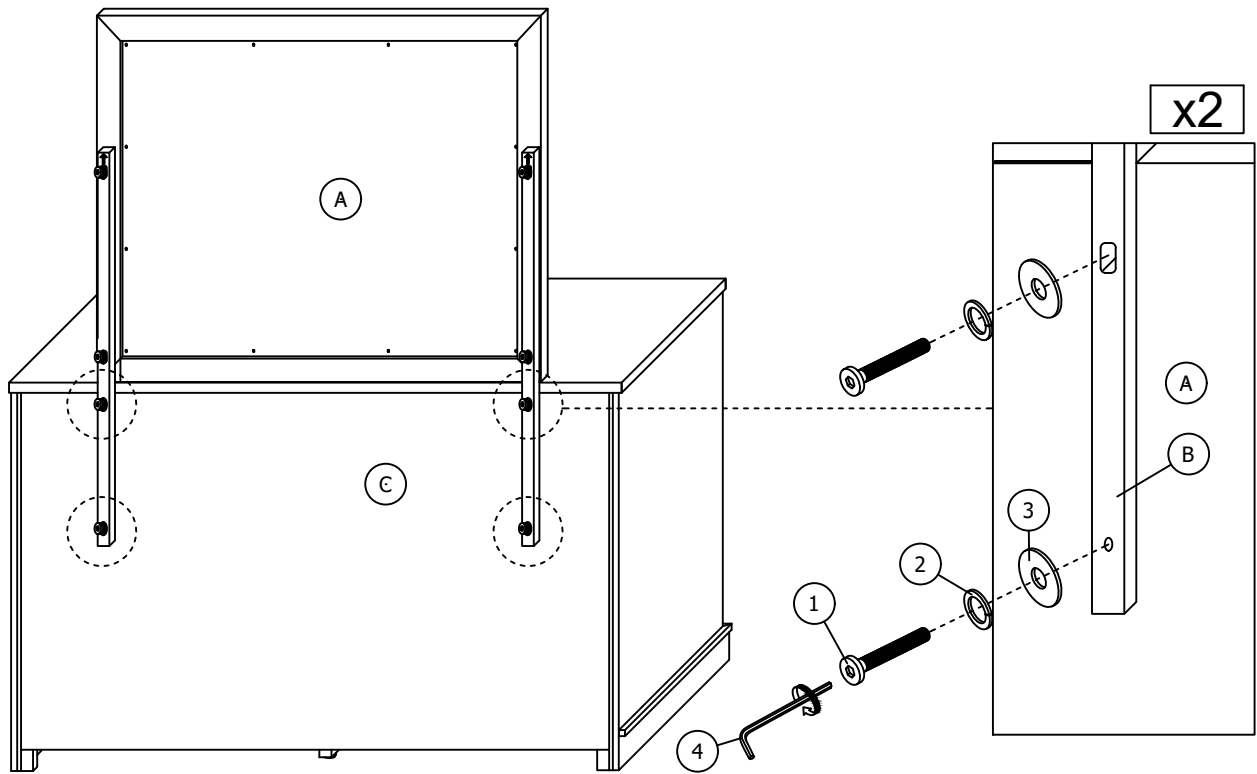
MADE IN MALAYSIA

**DO NOT TIGHTEN BOLTS UNTIL COMPLETELY ASSEMBLED

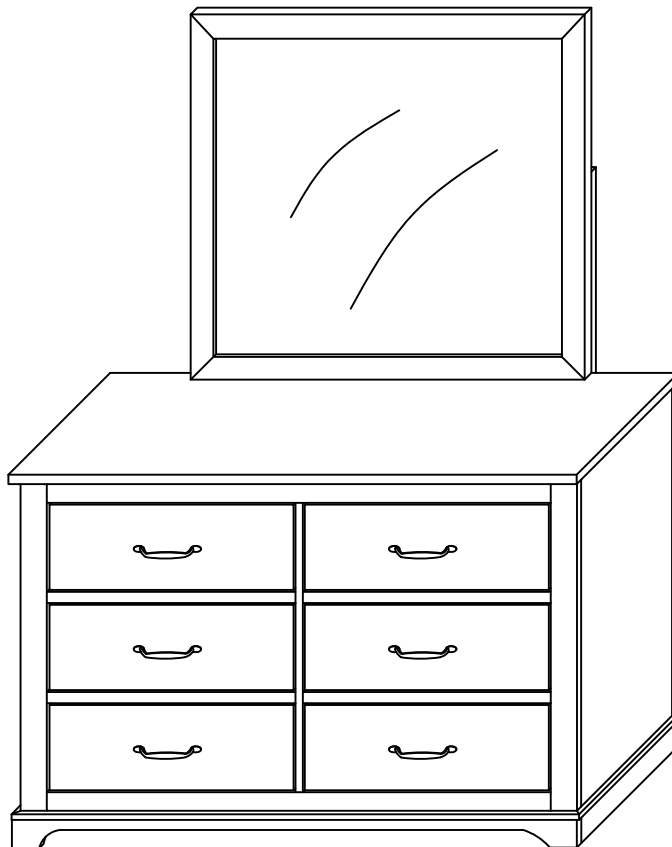
ASSEMBLY INSTRUCTION

SH2235-6 MIRROR

STEP 2



STEP 3



ASSEMBLY COMPLETED