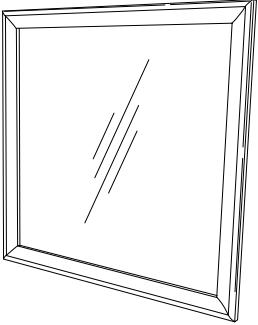


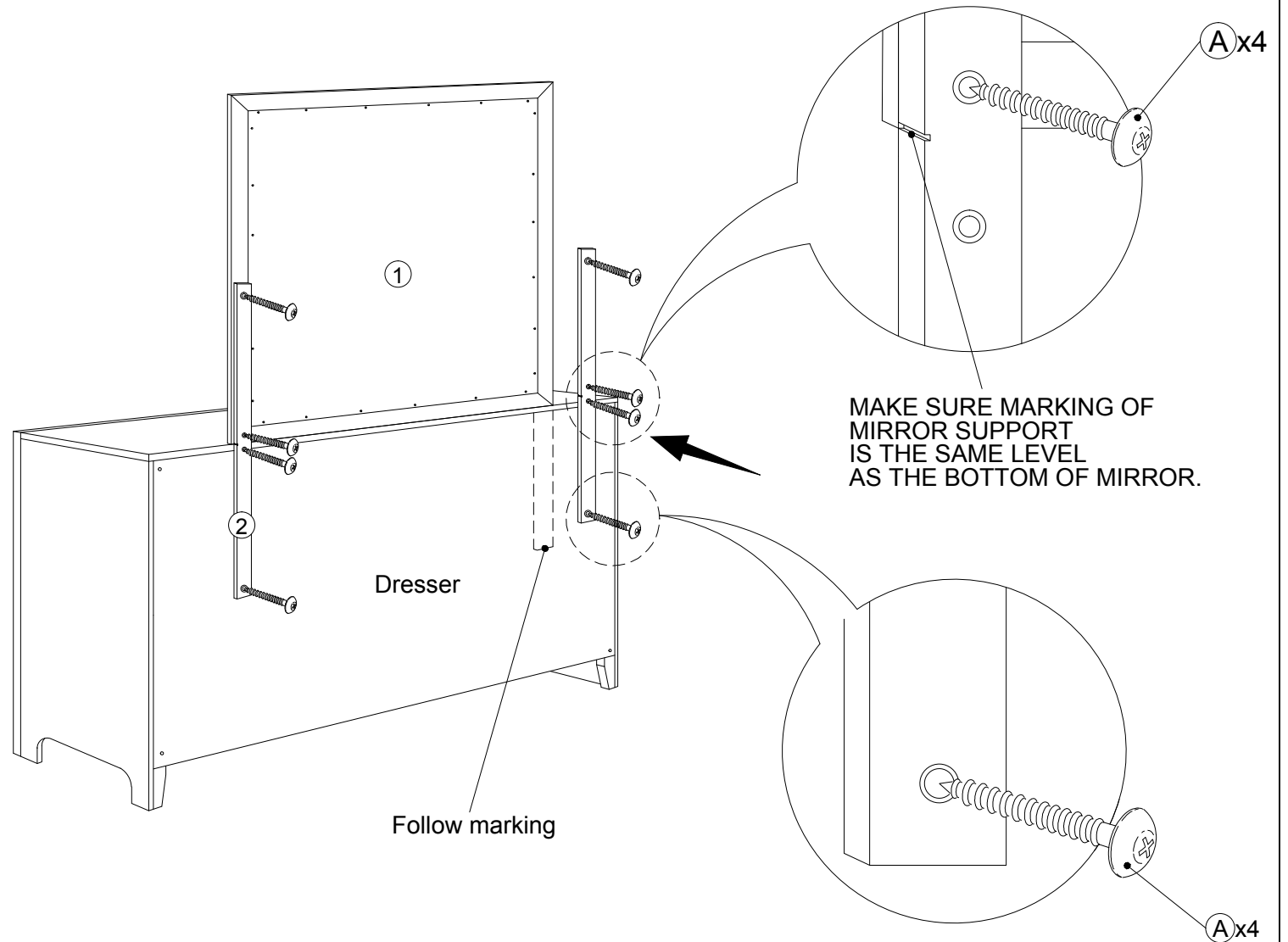


ASSEMBLY INSTRUCTION

HOMELEGANCE

ITEM NUMBER : 2145NP-6 MIRROR		
NO	PART LIST	QTY
1	MIRROR 	1pc
2	MIRROR SUPPORT  MIRROR SUPPORT PACKING TOGETHER WITH MIRROR	2pcs
NO	HARDWARE LIST	QTY
A	PAN HEAD SCREW M4 x 32mm 	8pcs

STEP 1



NOTE: AFTER A FEW DAYS OF ASSEMBLY, IT WILL HAVE ACCLIMATIZED TO THE ENVIRONMENT. PLEASE TIGHTEN ALL HARDWARE. CHECK TIGHTNESS OF ALL SCREWS EVERY 6-8 WEEKS.