



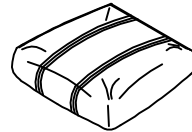
# ASSEMBLY INSTRUCTION

## 5070S SIDE CHAIR

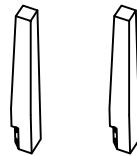
PART LIST:



Back  
1pc



Seat 1pc

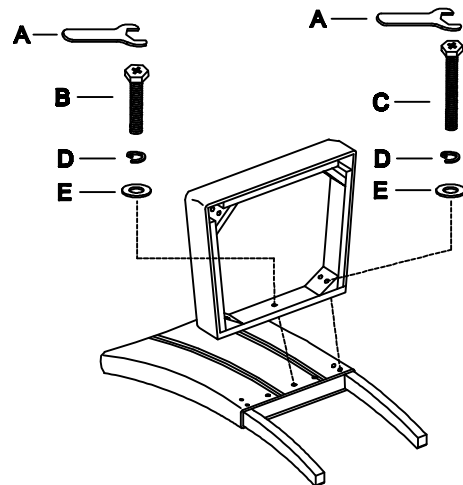


Front leg  
2pcs

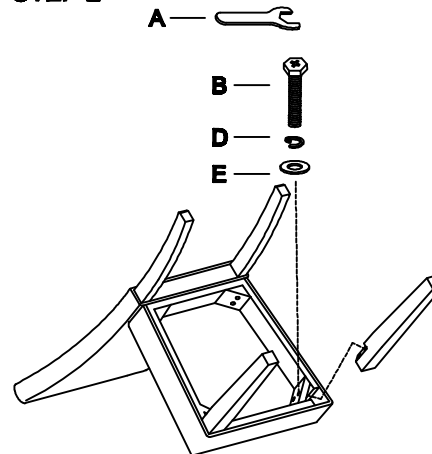
### HARDWARE LIST

A	B	C	D	E
L-ALLEN KEY	Bolt	Bolt	Spring Washer	Flat Washer
12mm	Ø5/16"x2"	Ø5/16"x3-1/4"	Ø5/16"	Ø5/16"xØ23mm
1 PC	5 PCS	4 PCS	9 PCS	9 PCS

### STEP 1



### STEP 2



### COMPLETED

