















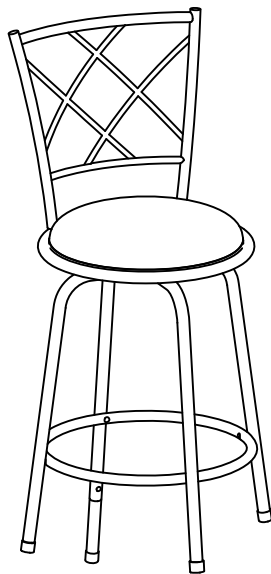


# Assembly Instruction

ITEM NO.: 6153-2429 CONVERTIBLE COUNTER/  
PUB HEIGHT CHAIR

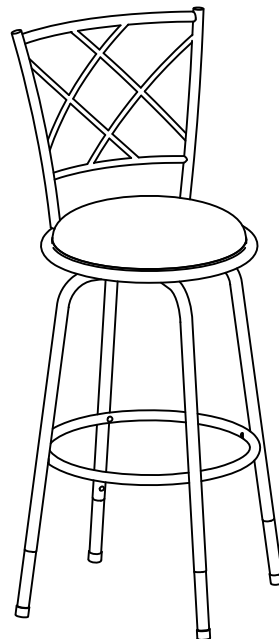
PART LIST				HARDWARE LIST				
1	SEAT CUSHION		1 PC	A	SHORT BOLT		1/4"x5/8"	12 PCS
2	BACK/SEAT FRAME		1 PC	B	MEDIUM BOLT		1/4"x1"	4 PCS
3	UPPER U LEG		1 PC	C	LONG BOLT		1/4"x1-1/4"	4 PCS
4	LOWER U LEG		1 PC	D	LOCK WASHER		1/4"	12 PCS
5	RING		1 PC	E	FLAT WASHER		1/4"x16mm	12 PCS
6	EXTENSION LEG		4 PCS	F	ALLEN KEY		M4	1 PC
7	SWIVEL PLATE		1 PC	G	FOOT PAD (FOR 25"H STOOL)		Ø22	4 PCS

Option 1



25"

Option 2

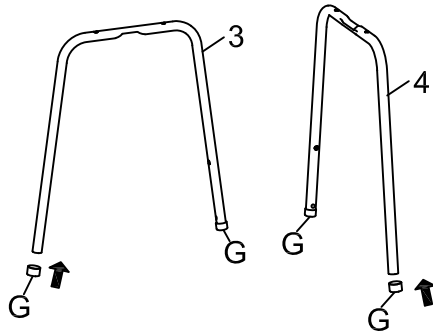


30"

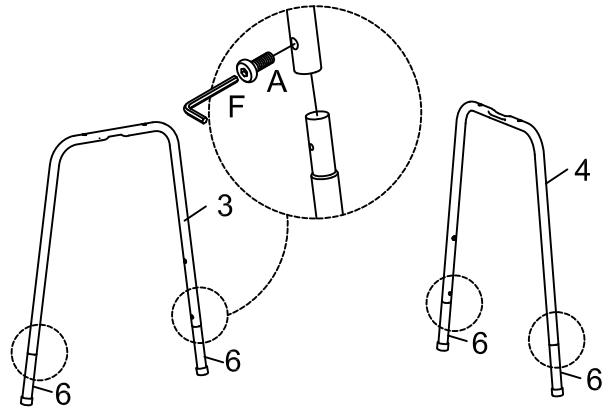
## STEP 1

For 25"H Stool, attach Foot Pad to Upper & Lower U Legs as shown below.

Option 1

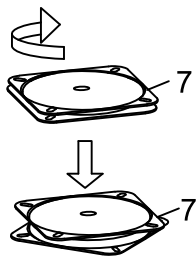


Option 2



## STEP 2

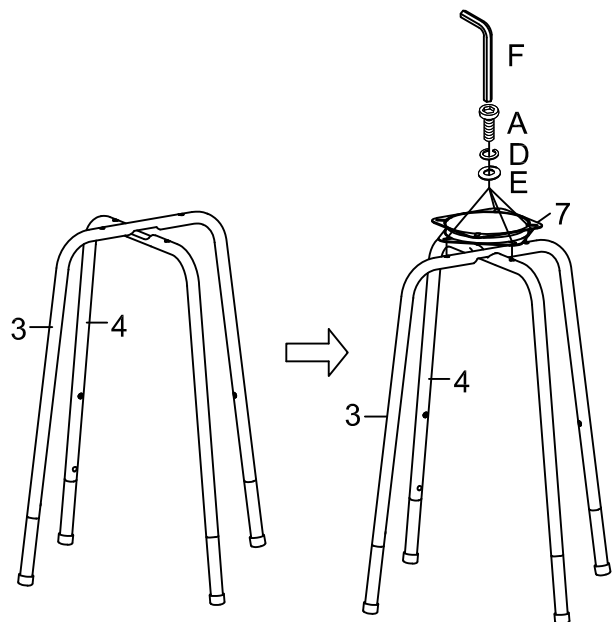
Turn Swivel Plate 45 degrees as shown below for easy assembly.



## STEP 3

Attach Upper U Leg into the groove of Lower U Leg. Then attach Swivel Plate to Upper & Lower U Legs using Short Bolt (A), Lock Washer (D) and Flat Washer (E) with Allen Key (F).

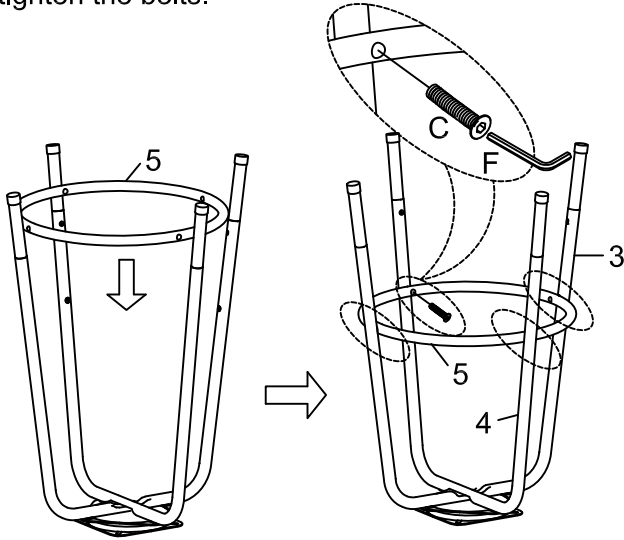
Note: DO NOT FULLY TIGHTEN THE BOLTS. Stop when you feel you are adding force to tighten the bolts.



#### STEP 4

Turn the Upper & Lower U Legs upside down. Then attach Ring to Upper & Lower U Legs using Long Bolt (C) with Allen Key (F).

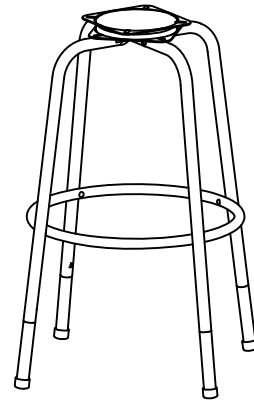
Note: DO NOT FULLY TIGHTEN THE BOLTS. Stop when you feel you are adding force to tighten the bolts.



#### STEP 5

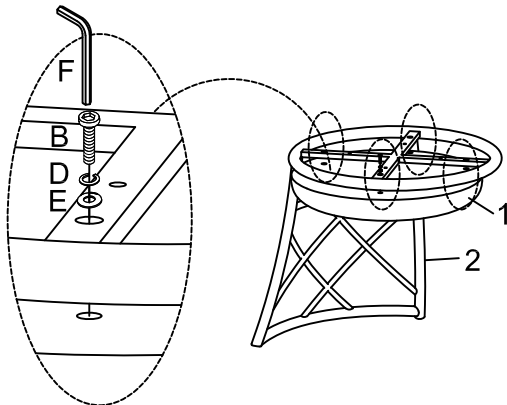
Stand up the assembled stool base on an even surface and check that it is balanced. If the stool base has a light wobble, apply downward pressure on the uneven leg and tighten all bolts to fix the imbalance. If the stool base is now balanced, apply downward pressure evenly in the center of the stool base and tighten all bolts.

Note: DO NOT OVER-TIGHTEN BEYOND HOLE DEPTH.



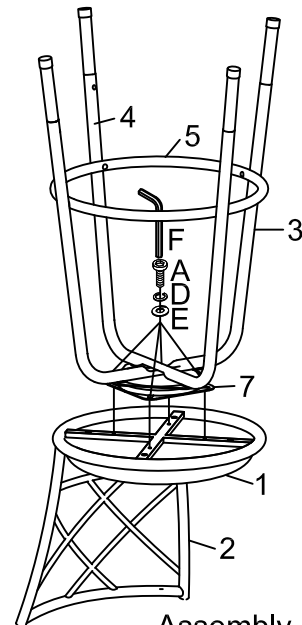
#### STEP 6

Attach Seat Cushion to Back/Seat Frame using Medium Bolt (B), Lock Washer (D) and Flat Washer (E) with Allen Key (F).



#### STEP 7

Attach Swivel Plate to Back/Seat Frame using Short Bolt (A), Lock Washer (D) and Flat Washer (E) with Allen Key (F).



Assembly completed



- For items use on wooden floor, hard surfaces or carpets. It is recommended to install protective pads under all legs and supports to avoid/prevent from damages/scratches and discoloration.
- Hardware may loosen over time. Periodically check to make sure all connections are tight. Re-tight if necessary.

MAY 2026  
MADE IN CHINA