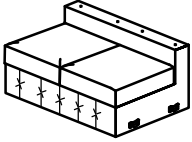
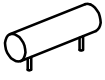






# ASSEMBLY INSTRUCTION

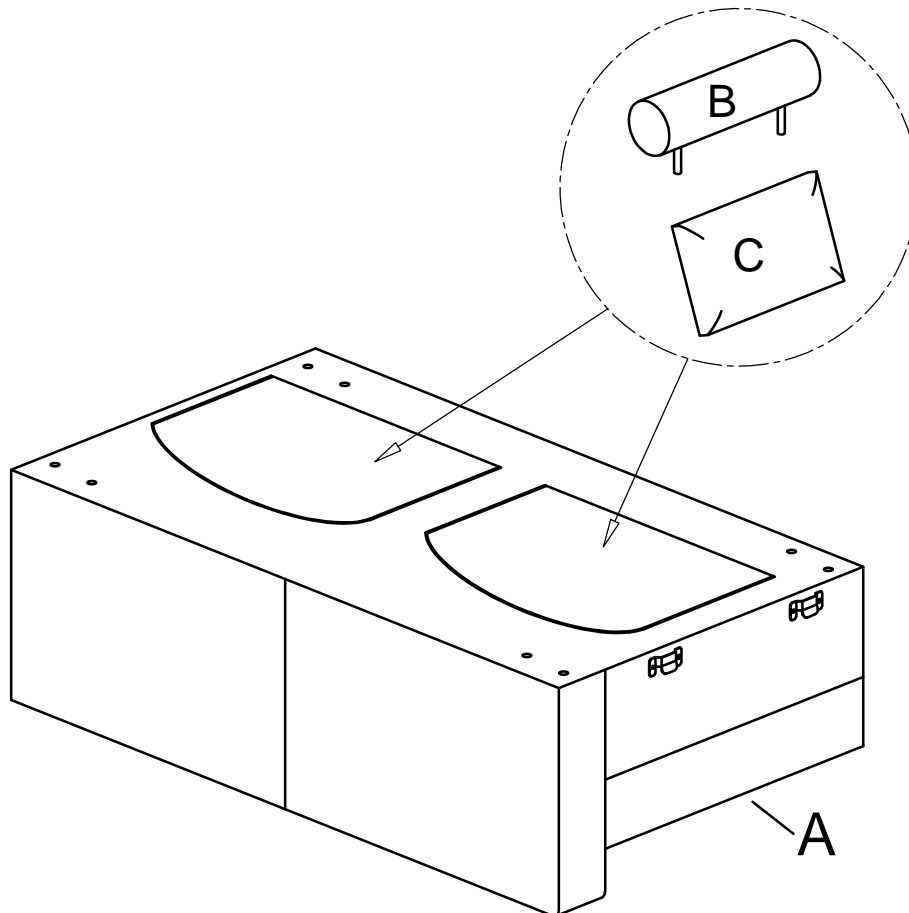
ITEM NO: 9624GY-2A/9624BU-2A Armless 2-Seater

LEGS AND HARDWARE ARE STORED IN THE BOTTOM OF THE SEAT, PLEASE TAKE OUT FOR ASSEMBLY.

NO.	PARTS LIST	QTY	DESCRIPTION
A		1	SEAT FRAME
B		2	HEADREST
C		2	2-SEATER BACK CUSHION

NO.	HARDWARE LIST	QTY	DESCRIPTION
D		4	WOODEN LEGS
E	 M8*50mm	8	Allen Bolt
F	 M5*100*38mm	1	Allen key

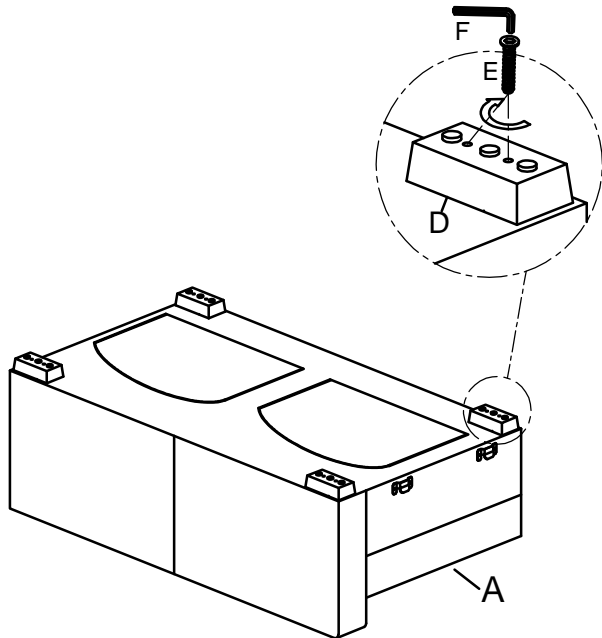
## STEP # 1:



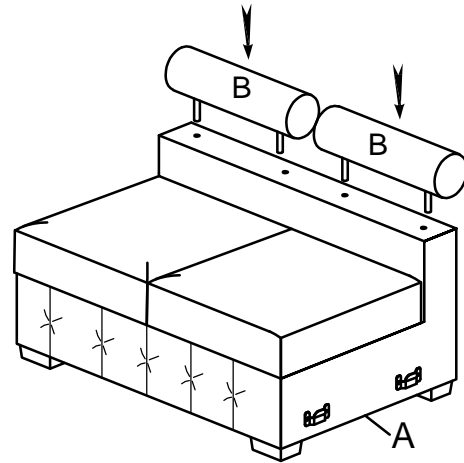
# ASSEMBLY INSTRUCTION

ITEM NO: 9624GY-2A/9624BU-2A Armless 2-Seater

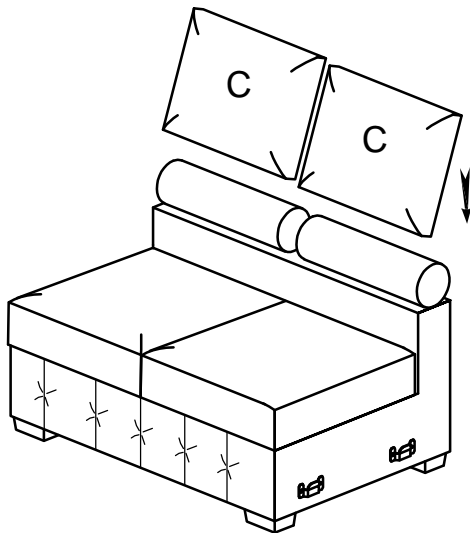
STEP # 2:



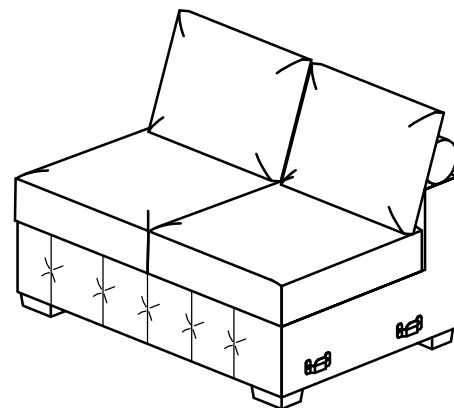
STEP # 3:



STEP # 4:



STEP # 5:



## CARE INSTRUCTION FOR FABRIC FURNITURE

In order to maintain the original appearance of your fabric furniture, please follow below simple care procedures.

°Avoid exposing furniture directly to sunlight or heating and air conditioning outlets. Exposure to sunlight or heating and air conditioning outlets will fade/damage fabric.

°Wipe gently with a damp soft cloth to remove dust, dirt and any grime build up.