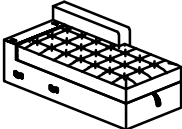







ASSEMBLY INSTRUCTION

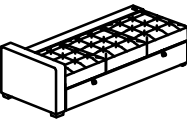
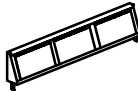


ITEM NO: 9647CE-3L (1/2)Left Side 3-Seater with Pull-out Bed
9647CE-RC (2/2)Right Side Chaise with Hidden Storage

9647CE-RC: chaise back cushion, pillow, wooden legs and hardware are stored in the hidden storage. please take out for assembly.

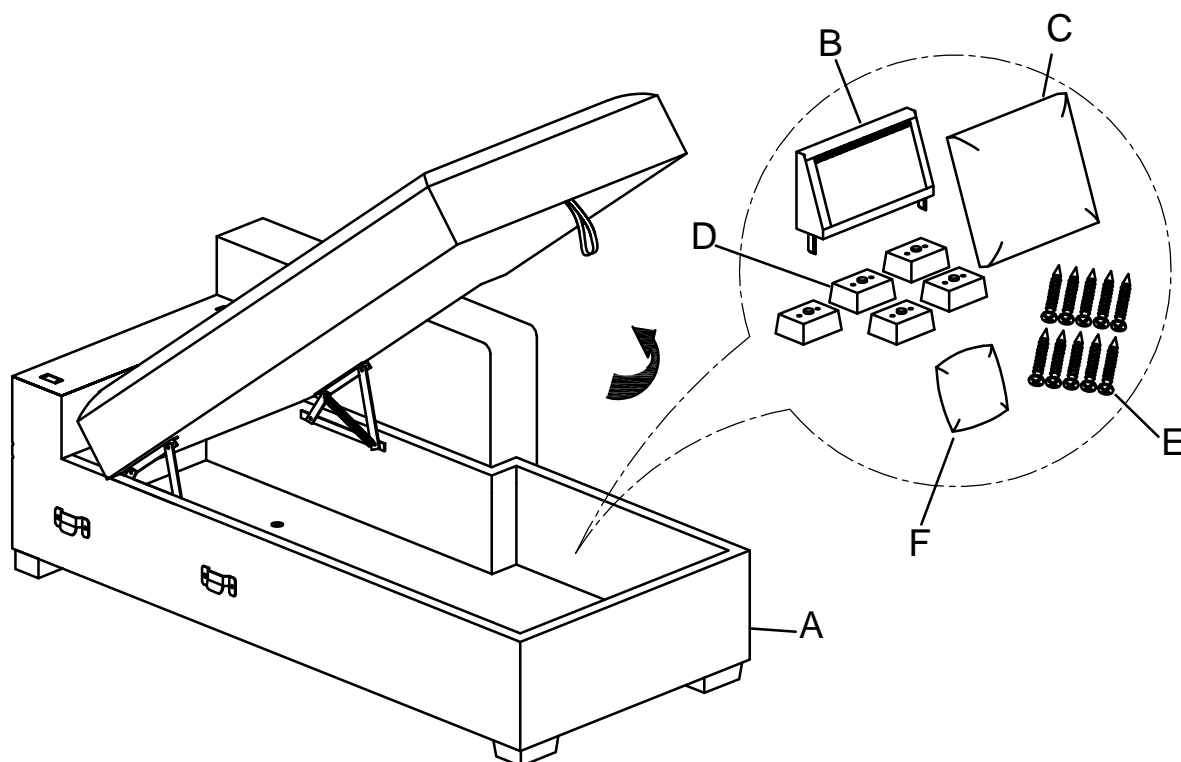
PARTS LIST-RC

NO.	PARTS LIST	QTY	DESCRIPTION
A		1	SEAT FRAME
B		1	BACK FRAME
C		1	BACK CUSHION
D	 115*85*45mm	5	WOODEN LEGS
E	 M5*40mm	10	WOOD SCREW
F	 18"*18"	1	PILLOW

PARTS LIST-3L

NO.	PARTS LIST	QTY	DESCRIPTION
G		1	SEAT FRAME
H		1	BACK FRAME
I		3	BACK CUSHION
F	 18"*18"	1	PILLOW

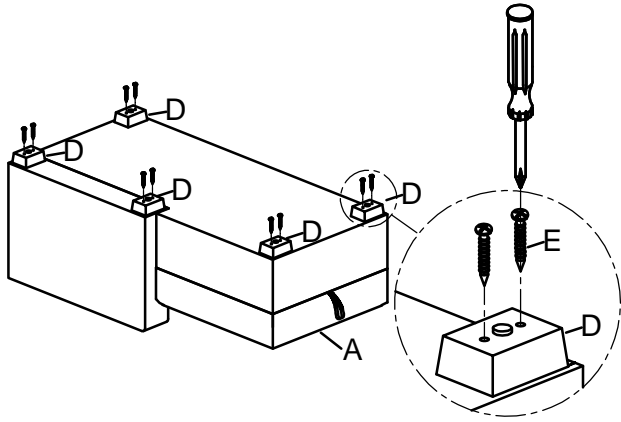
STEP # 1:



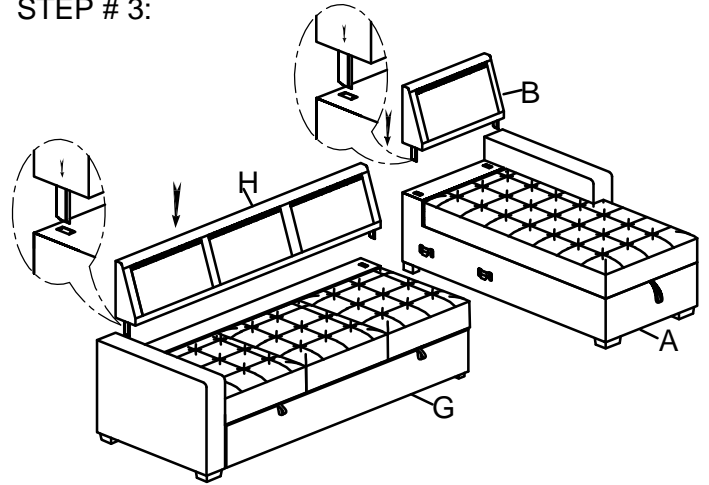
ASSEMBLY INSTRUCTION

ITEM NO: 9647CE-3L (1/2)Left Side 3-Seater with Pull-out Bed
9647CE-RC (2/2)Right Side Chaise with Hidden Storage

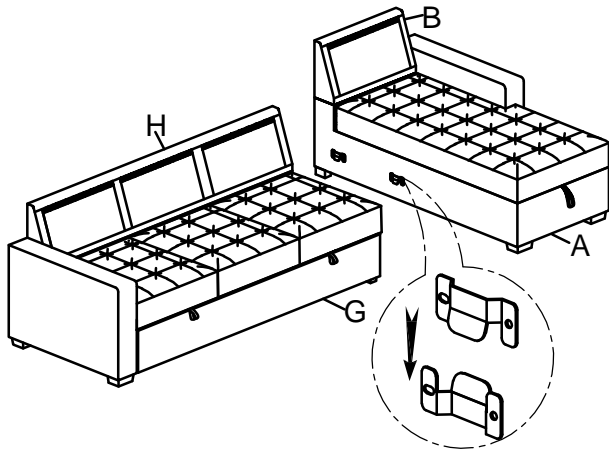
STEP # 2:



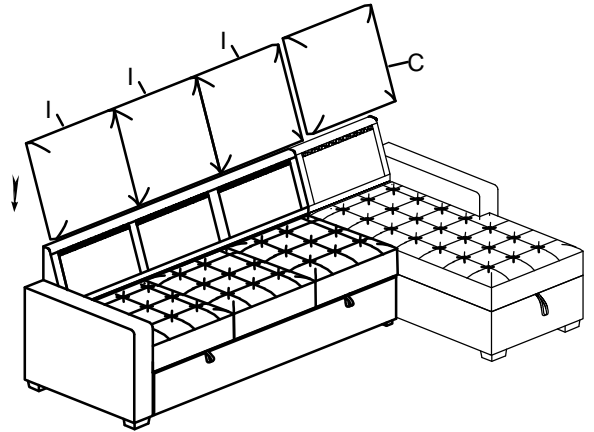
STEP # 3:



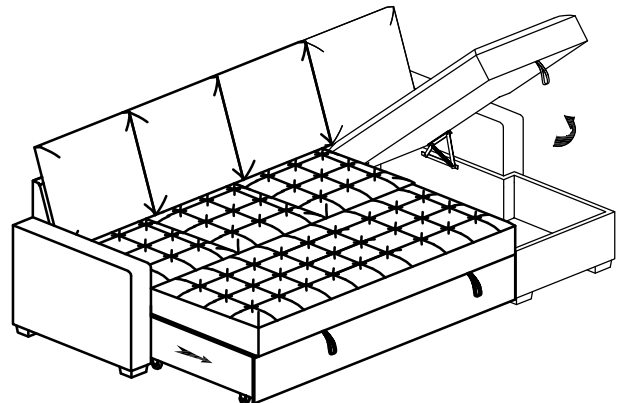
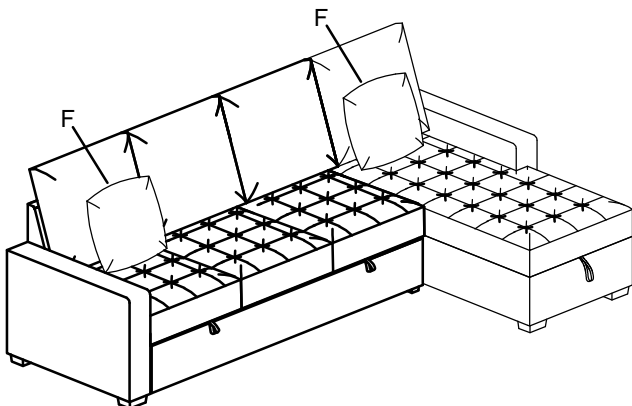
STEP # 4:



STEP # 5:



STEP # 6: COMPLETED



CARE INSTRUCTION FOR FABRIC FURNITURE

In order to maintain the original appearance of your fabric furniture, please follow below simple care procedures.

°Avoid exposing furniture directly to sunlight or heating and air conditioning outlets. Exposure to sunlight or heating and air conditioning outlets will fade/damage fabric.

°Wipe gently with a damp soft cloth to remove dust, dirt and any grime build up.