

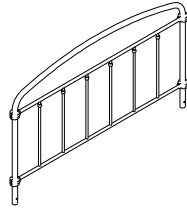
# ASSEMBLY INSTRUCTION

## SH2016GDF/BKF-1 FULL METAL BED

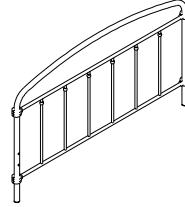
### PART LIST:



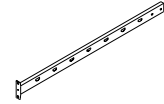
A: Headboard Leg  
2PCS



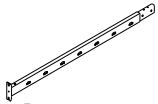
B: Headboard  
1PC



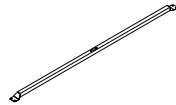
C: Footboard  
1PC



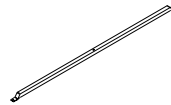
D: Side Rail  
2PCS



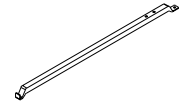
E: Side Rail  
2PCS



F: Brace  
1PC



G: Brace  
2PCS



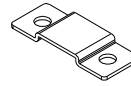
H: Brace  
2PCS



I: Leg  
3PCS



J: Center Support  
Legs  
2PCS



K: Bracket  
1PC



L: Slat  
14PCS



M: Slat Connector  
28PCS

### HARDWARE LIST:



1 : Bolt  
1/4"-20\*22mm  
16PCS



2 : Bolt  
5/16"-20\*19mm  
8PCS



3 : Bolt  
1/4"-20\*17.5mm  
6PCS



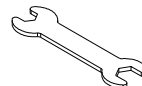
4 : Bolt  
1/4"-20\*40mm  
4PCS



5 : 1/4"  
4PCS



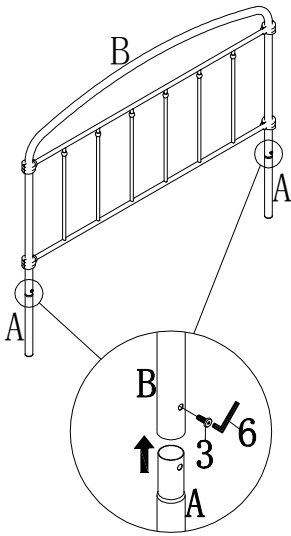
6 : 4mm  
1PC



7 : Wrench  
1PC

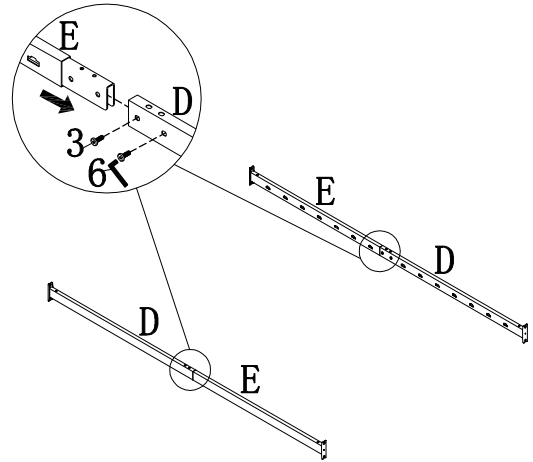
NOTE: PLEASE DO NOT TIGHTEN ALL BOLTS UNTIL THE BED IS ASSEMBLED COMPLETELY.

### STEP 1:



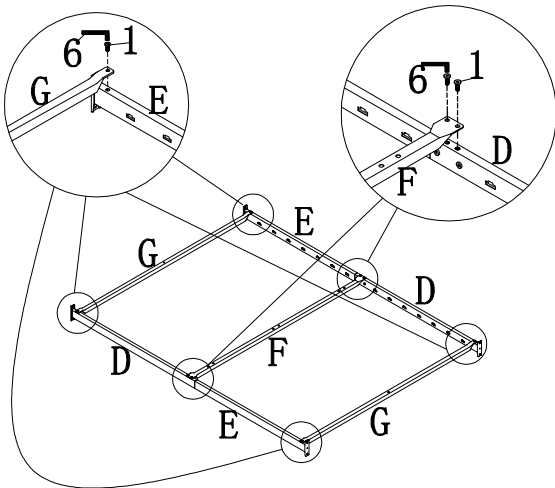
Hardware 3: 2 pcs

### STEP 2:



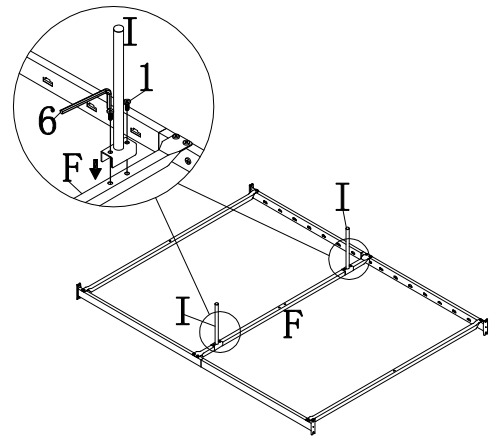
Hardware 3: 4 pcs

### STEP 3:



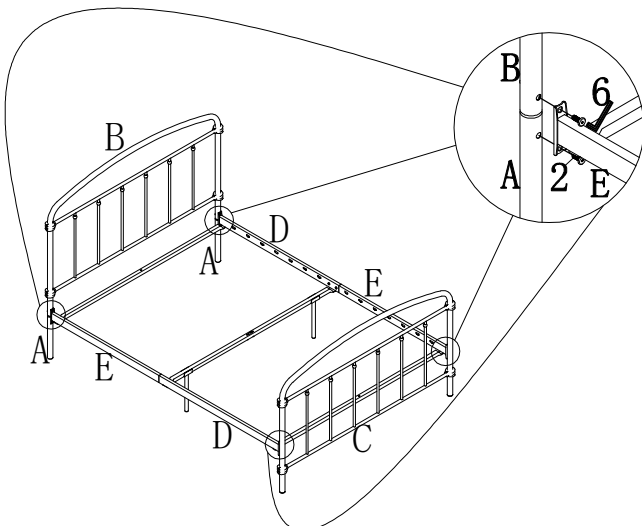
Hardware 1: 8 pcs

### STEP 4:



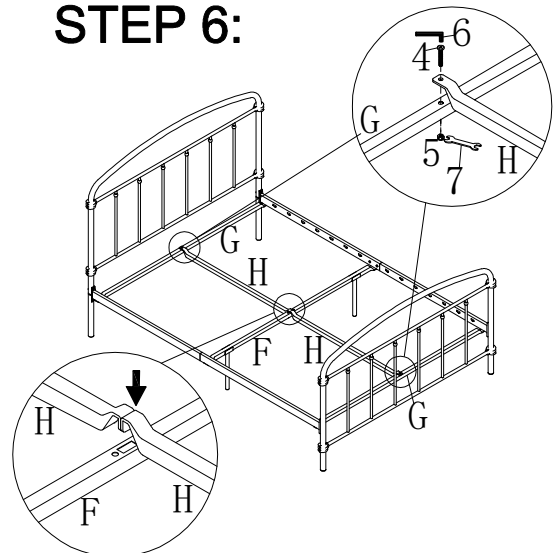
Hardware 1: 4 pcs

### STEP 5:



Hardware 2: 8 pcs

### STEP 6:

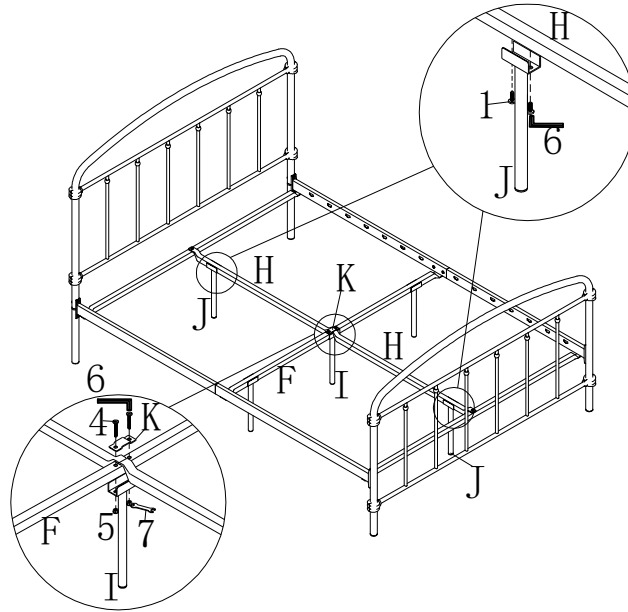


Hardware 4: 2 pcs  
Hardware 5: 2 pcs

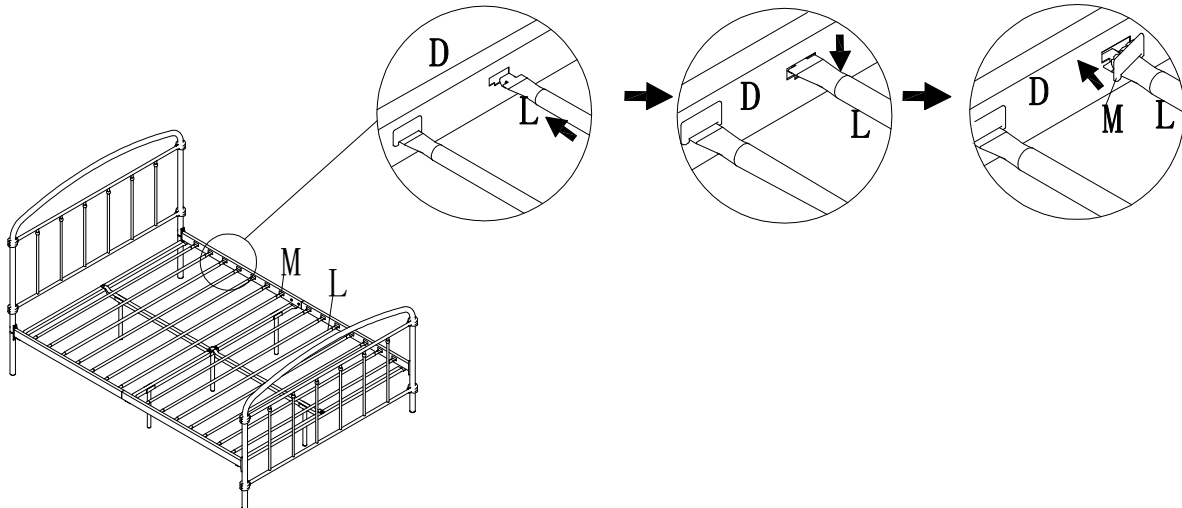
NOTE: PLEASE DO NOT TIGHTEN ALL BOLTS UNTIL THE BED IS ASSEMBLED COMPLETELY.

## STEP 7:

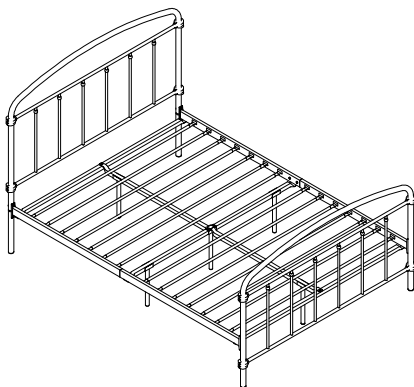
Hardware 1: 4 pcs  
Hardware 4: 2 pcs  
Hardware 5: 2 pcs



## STEP 8:



## COMPLETED:



**!** For items use on wooden floor, hard surfaces or carpets, it is recommended to install protective pads under all legs and supports to avoid/prevent from damages/scratches and discoloration.