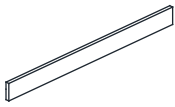


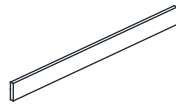
ASSEMBLY INSTRUCTION

SH251BGEK-1EK / SH251DGRK-1EK / SH251GRYK-1EK

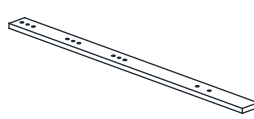
- | | | | | |
|--------------------------------------|--------------------------------------|----------------------------|--------------------|---------------------------|
| 1 Headboard
With Label "1" | 2 Headboard
With Label "2" | 3 Headboard
Post | 4 Footboard | 5 Footboard
Leg |
|--------------------------------------|--------------------------------------|----------------------------|--------------------|---------------------------|



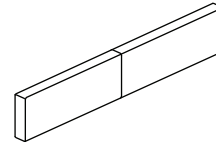
x1



x2



x2

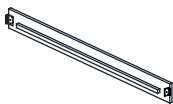


x1

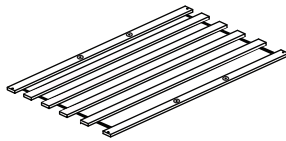


x2

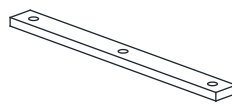
- | | | | | |
|--------------------|---------------|---------------------------------------|--------------------------------------|----------------------------------|
| 6 Side Rail | 7 Slat | 8 Headboard
Support (Short) | 9 Headboard
Support (Long) | 10 Center
Support Rail |
|--------------------|---------------|---------------------------------------|--------------------------------------|----------------------------------|



x2



x2



x1



x1



x4

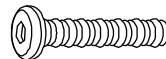
- | | | | | |
|---|-----------------------------|-----------------------------|-----------------------------|------------------------------|
| 11 Support Leg
with adjustable feet | A Bolts
M8 x 20mm | B Bolts
M8 x 35mm | C Bolts
M6 x 35mm | D Bolts
M6 x 100mm |
|---|-----------------------------|-----------------------------|-----------------------------|------------------------------|



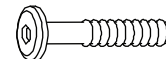
x8



x8



x9



x5



x2

- | | | | | |
|----------------------------------|-----------------------------------|-----------------------------------|-----------------------------------|-----------------------------------|
| E Wood Dowel
M8 x 30mm | F Lock Washer
M6 x 12mm | G Flat Washer
M6 x 19mm | H Lock Washer
M8 x 13mm | I Flat Washer
M8 x 22mm |
|----------------------------------|-----------------------------------|-----------------------------------|-----------------------------------|-----------------------------------|



x2



x5



x5

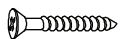


x9

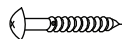


x9

- | | | | |
|-----------------------------|-------------------------------------|---------------------------------|----------------------------------|
| J Screw
M4 x 32mm | K Panhead Screw
M4 x 25mm | L Allen Key
M5 x 65mm | M Allen Key
M4 x 100mm |
|-----------------------------|-------------------------------------|---------------------------------|----------------------------------|



x8



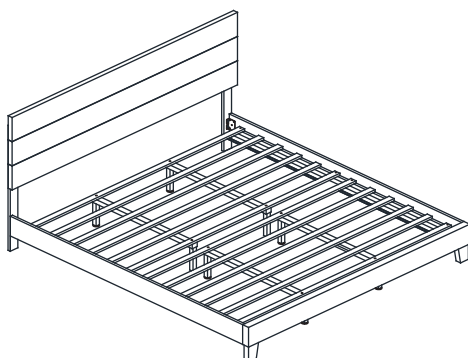
x6



x1



x1

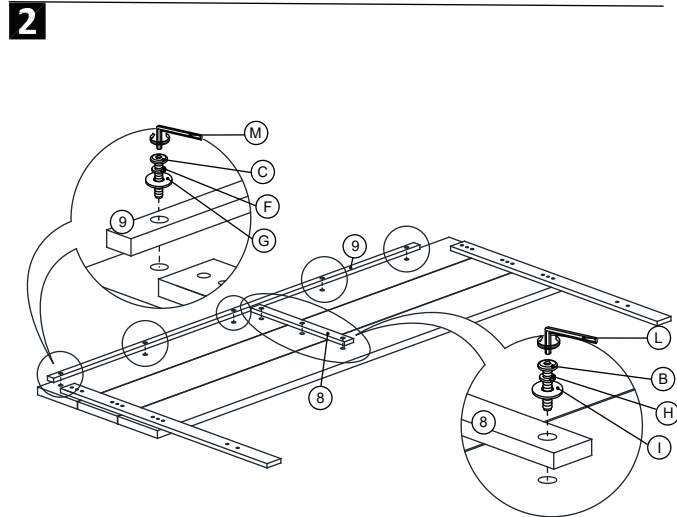
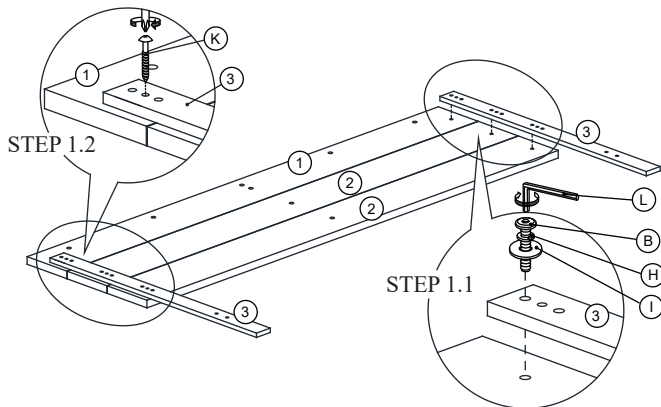


This page lists all the contents included in the box. Please take the time to identify the hardware as well as the individual components to this product. As you unpack and prepare for assembly, place the contents on a carpeted or padded area to protect them from damage.

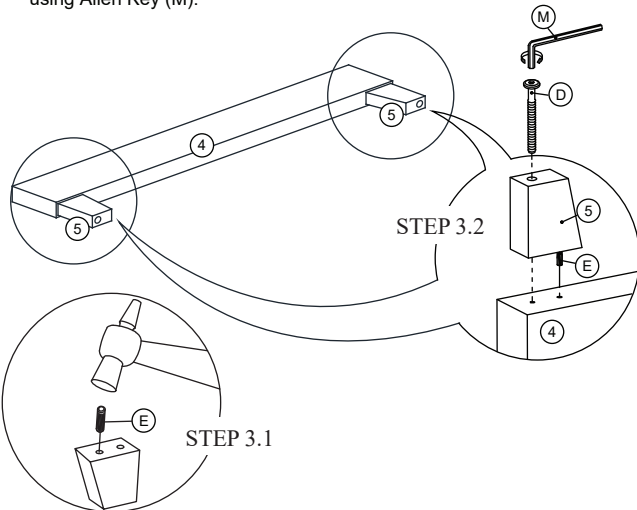
ASSEMBLY INSTRUCTION

SH251BGEK-1EK / SH251DGRK-1EK / SH251GRYK-1EK

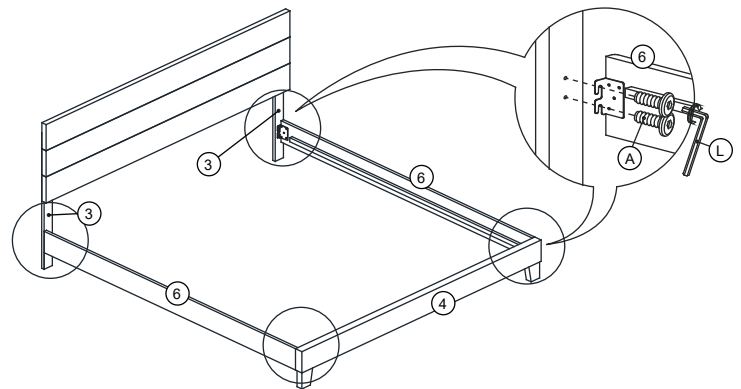
- 1** Begin assembly by attaching each Headboard Leg (2) to the bottom of the Headboard (1) by aligning the hole and securing with 3 Allen Bolts (B) , 3 Lock Washer (E) , 3 Flat Washer (F) , 3 screw (H) per leg using Allen Key (I) .
(DO NOT FULLY TIGHTEN BOLTS FOR THIS STEP)



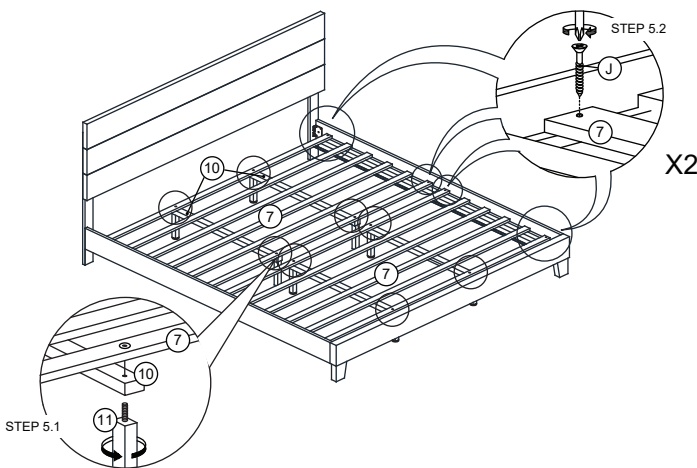
- 3** Attach each Footboard Legs (5) to the bottom of the Footboard (4) by inserting a Dowel (E) & securing with 1 Allen Bolt (D) per leg using Allen Key (M).



- 4** Attach Side Rail to the Headboard Leg (3) and Footboard (4). Aligning holes , and securing with 2 Allen Bolts (A) each and using Allen Key (L).
(DO NOT FULLY TIGHTEN BOLTS FOR THIS STEP)
*Attach bolts to Headboard Leg & Footboard first , follow by slot in the Side Rail.



- 5** Attach Slat (7) to Side Rail by Secaring with 4 Screw (J) each side. Tighten all screws using philips head screw driver (NOT INCLUDED). Tighten all bolts using Allen Key (L) & (M).



Cleaning & Care

Treat surface with care. Surface is resistant to scratches but is not scratch resistant. Clean surfaces with a dry or damp soft cloth. Do not use abrasive cleaners. Hardware may loosen over time. Periodically check that all connections are tight.