

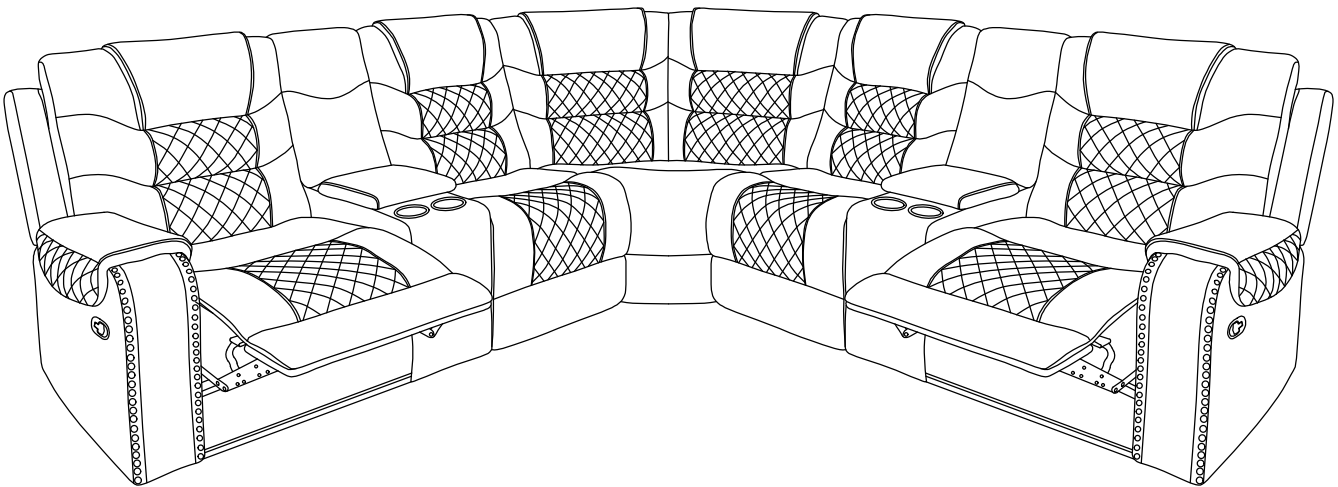
ASSEMBLY INSTRUCTION

ITEM NO : SH8890BRW /BLK-2RCN







RSF LOVESEAT 1 MANUAL RECLINER WITH CONSOLE

Caution: Please read instructions thoroughly before unpacking assembly parts. Sharp, exposed staple tips can cause injury, therefore, for your protection, please remove any exposed staples used in packing.

1. We recommend that you should assemble this product with the assistance of another person; this will make assembly easier, and will help to eliminate damage to the product or injury to persons during assembly.
2. Be sure to check all packing materials carefully for small parts that may have come loose inside the carton during shipment.
3. Please do not over tighten screws or bolts.
4. Please put all parts on a non-abrasive floor before assembly, and follow the assembly steps to assemble your newly purchased product correctly and efficiently.

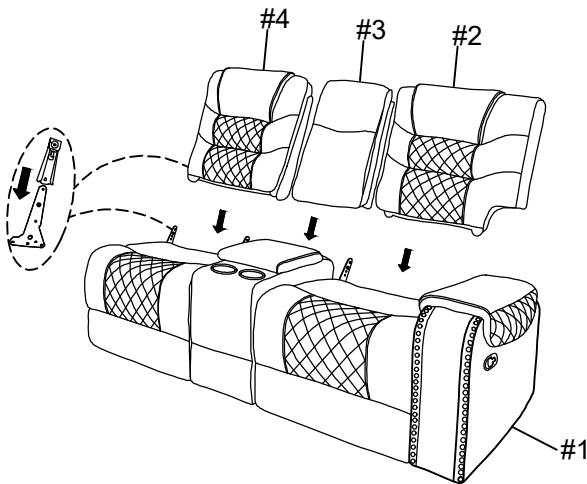


PARTS LIST:

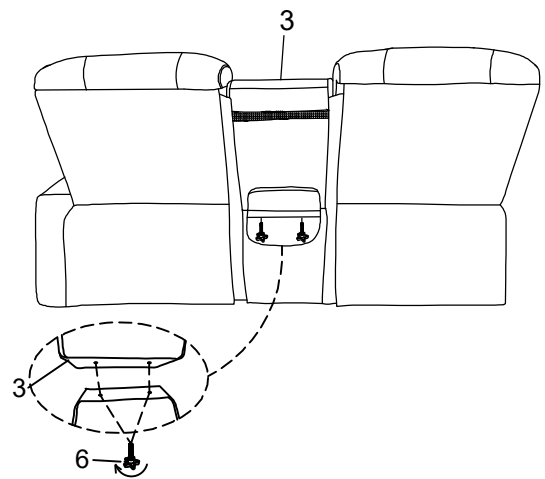
NO.	DESCRIPTION	SKETCH	QTY	NO.	DESCRIPTION	SKETCH	QTY
1	Seat		1PC	5	RSF Ear		1PC
2	Left Back Cushion		1PC	6	Knob Screw (Ø1/4"x50mm)		2PCS
3	Middle Back Cushion		1PC				
4	Right Back Cushion		1PC				

ASSEMBLY STEPS:

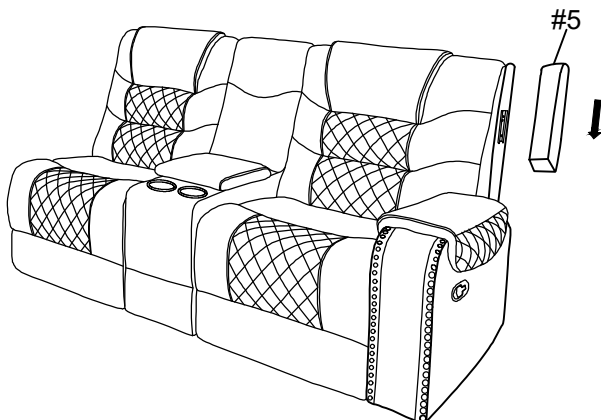
STEP 1



STEP 2

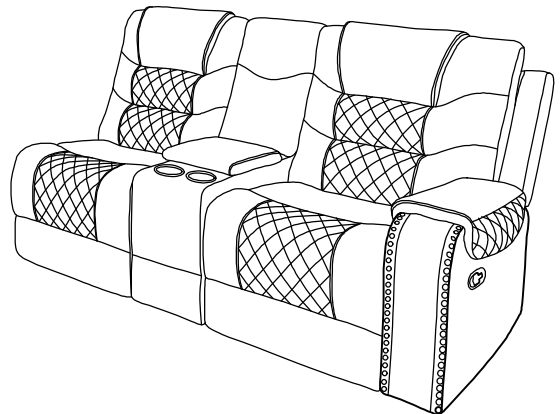


STEP 3

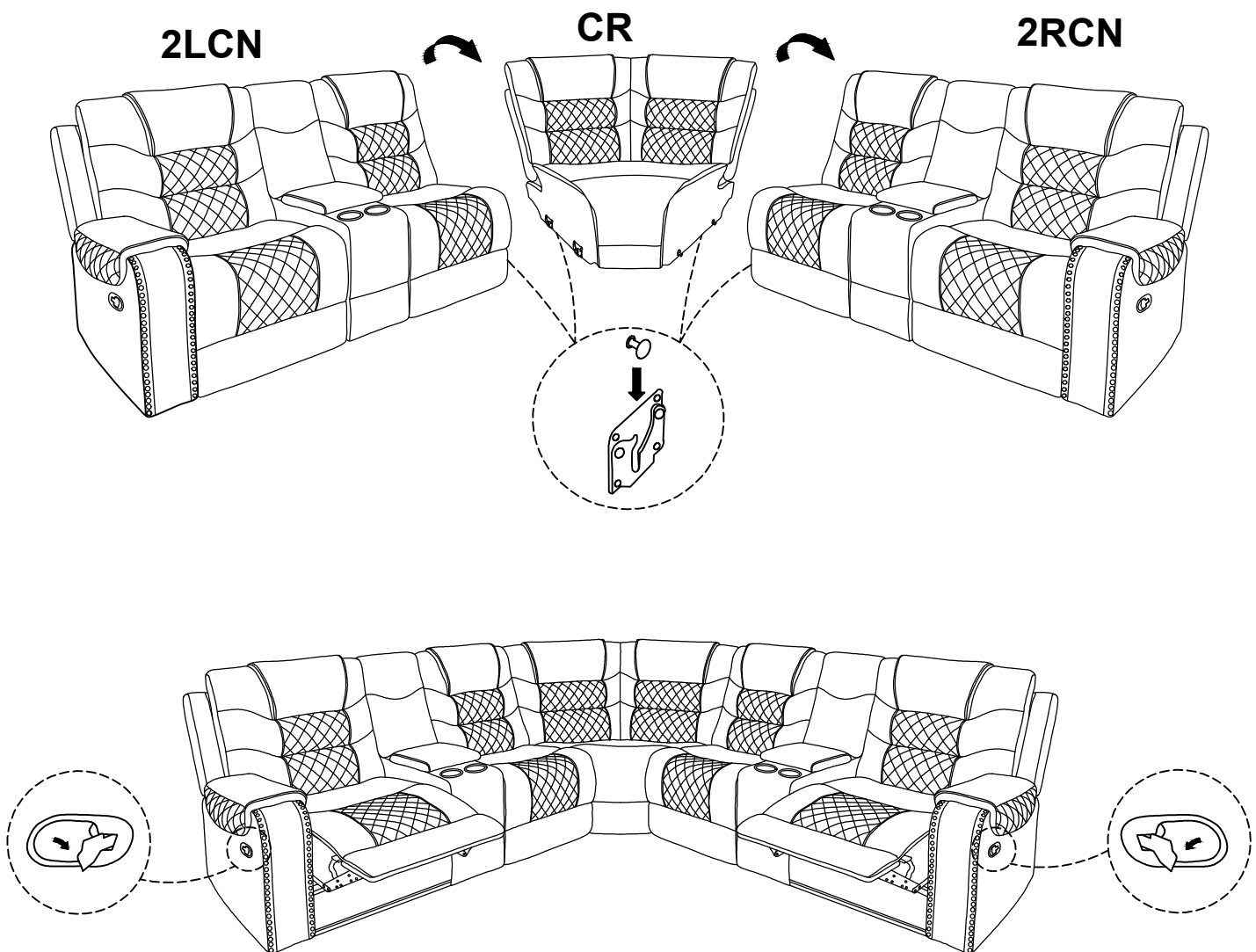


STEP 4

COMPLETED



Sectional Configuration



CARE INSTRUCTION FOR LEATHER GEL FURNITURE.

In order to maintain the original appearance of your leather gel furniture, please follow below simple care procedure:

- Avoid exposing furniture directly to sunlight or heating and air conditioning outlets. Exposure to sunlight or heating and air conditioning outlets will fade/damage leather gel.
- Wipe gently with a damp soft cloth to remove dust dirt and any grime build up.
- Unplug the power cord immediately if you detect strange odors or fumes coming from the chair.

PLEASE KEEP ASSEMBLY INSTRUCTION FOR FUTURE REFERENCE

ASSEMBLY COMPLETED