

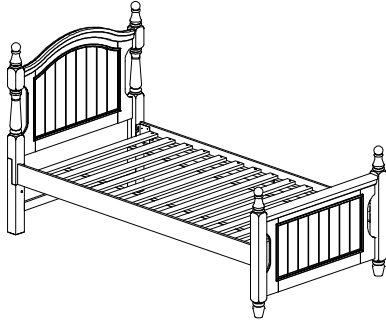


H O M E E L E G A N C E

ASSEMBLY INSTRUCTION INSTRUCTIONS D'ASSEMBLAGE

Item No : B1799T-1/2/3

Description : TWIN BED / LIT JUMEAUX



IMPORTANT NOTE :

- Place all wooden parts on a clean and smooth surface such as a rug or carpet to avoid the parts from being scratched.
- Check to be sure that you have all parts and hardware.
- Remove all wrapping materials, including staples & packing straps before you start to assemble.
- Do not tighten all screws / bolts until all completely assembled.
- Keep all hardware parts out of reach of children.

HEADBOARD & FOOTBOARD TETE DE LIT & PIED DE LIT

PART LIST LISTE DE PIECES		
NO	DESCRIPTION	QTY/PCS
1	HEADBOARD / TETE DE LIT	1 PC
2	FOOTBOARD / PIED DE LIT	1 PC
3	FINIAL WITH SCREW / FLEURON AVEC LA VIS	2 PCS

HEADBOARD & FOOTBOARD TETE DE LIT & PIED DE LIT

HARDWARE LIST LISTE DE QUINCAILLERIE		
NO	DESCRIPTION	QTY/PCS
A	JCBB SCREW / BOULON M8 x 25	8 PCS
B	SPRING WASHER / RONDELLE D'ARRET M8	8 PCS
C	FLAT WASHER / RONDELLE PLATE M8	8 PCS
D	ALLEN KEY / CLE' ALLEN M5	1 PC

SIDE RAIL / LONGERON

PART LIST LISTE DE PIECES		
NO	DESCRIPTION	QTY/PCS
4	SIDE RAIL / LONGERON	2 PCS
5	SLAT / LATTES	13 PCS

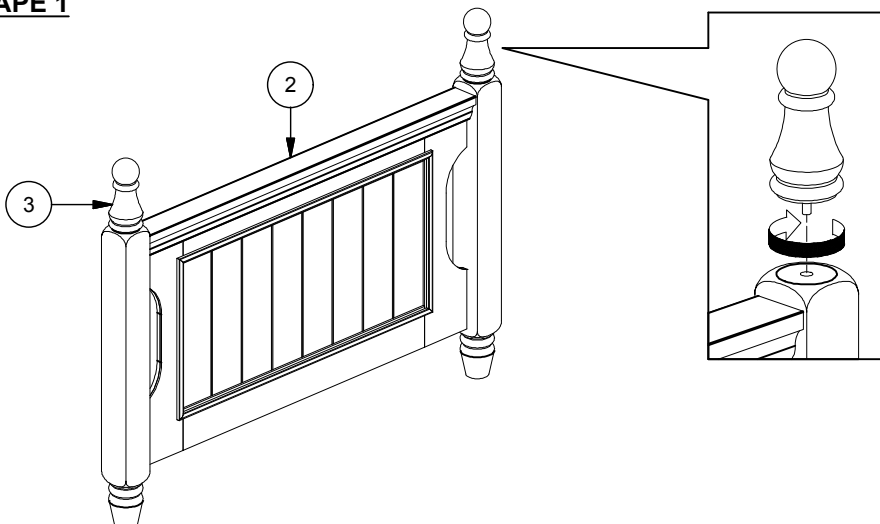
SIDE RAIL / LONGERON

HARDWARE LIST LISTE DE QUINCAILLERIE		
NO	DESCRIPTION	QTY/PCS
E	JCBC SCREW / BOULON M6 x 30	6 PCS
F	SPRING WASHER / RONDELLE D'ARRET M6	6 PCS
G	ALLEN KEY / CLE' ALLEN M4	1 PC
H	CSK SCREW / VIS M4 x 32	20 PCS

*HARDWARE SET IS IN B1799T-2 FOR ASSEMBLY

NOTE : YOU WILL ALSO NEED A PHILIP SCREWDRIVER (NOT PROVIDED)

STEP 1 / ETAPE 1





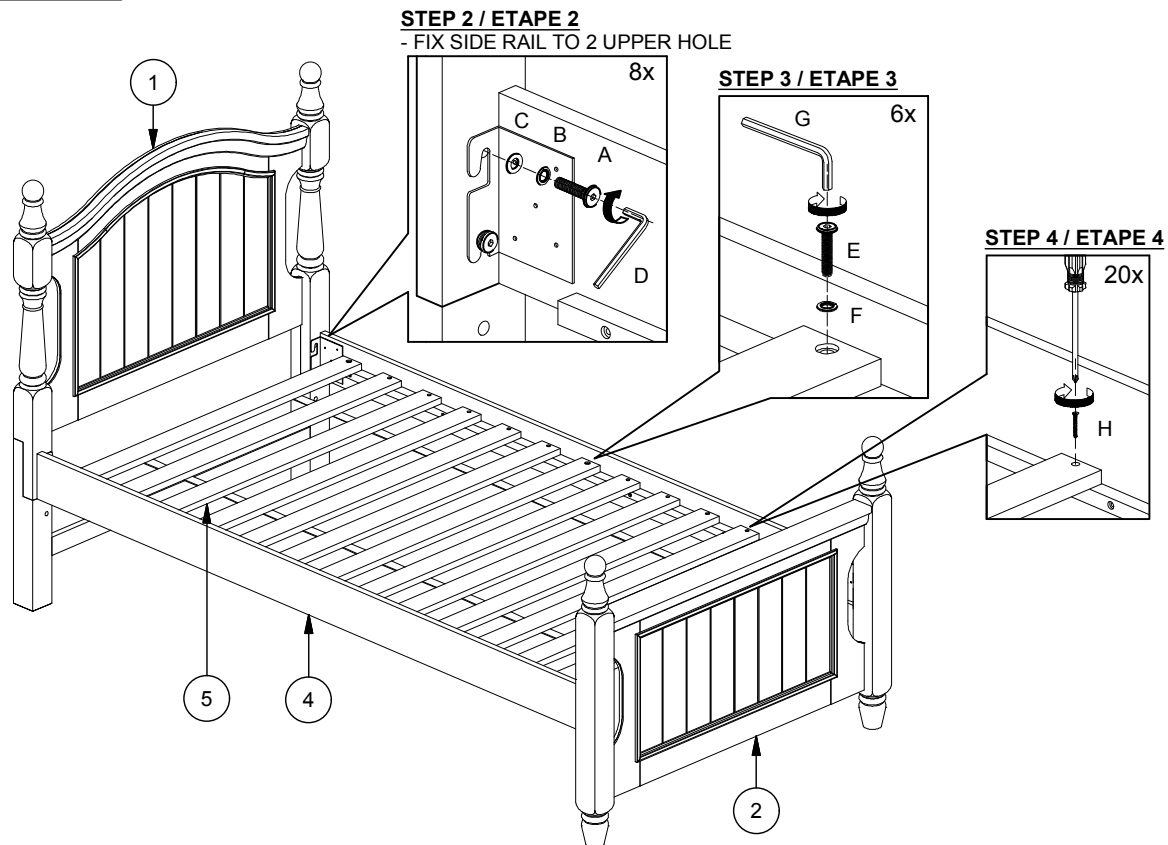
H O M E E L E G A N C E

ASSEMBLY INSTRUCTION INSTRUCTIONS D'ASSEMBLAGE

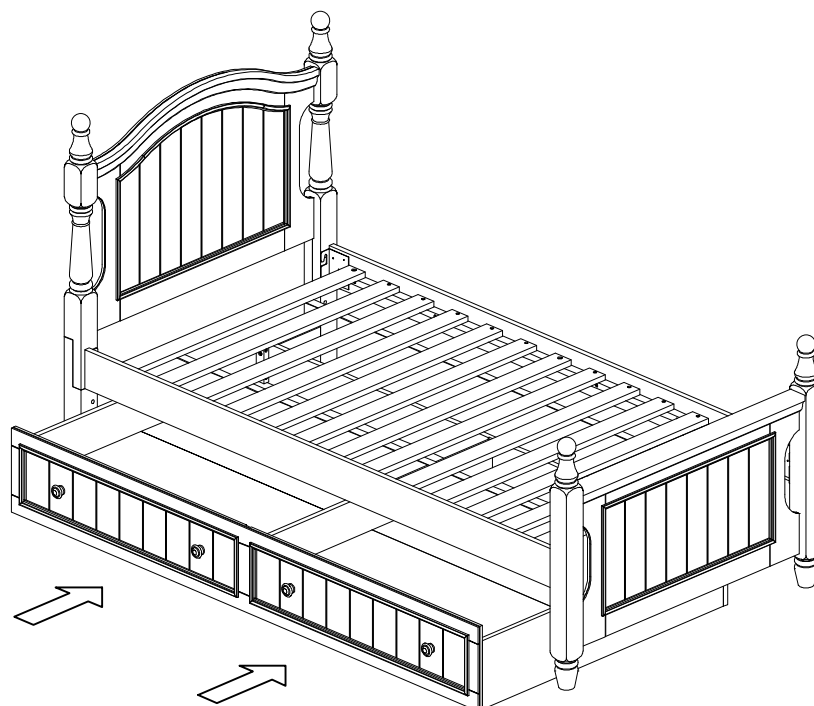
Item No : B1799T-1/2/3

Description : TWIN BED / LIT JUMEAUX

WITH TRUNDLE



STEP 5 / ETAPE 5





H O M E E L E G A N C E

ASSEMBLY INSTRUCTION INSTRUCTIONS D'ASSEMBLAGE

Item No : B1799T-1/2/3

Description : TWIN BED / LIT JUMEAUX

WITHOUT TRUNDLE

