

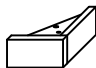


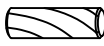

ASSEMBLY INSTRUCTION

SH2216BK-9 CHEST

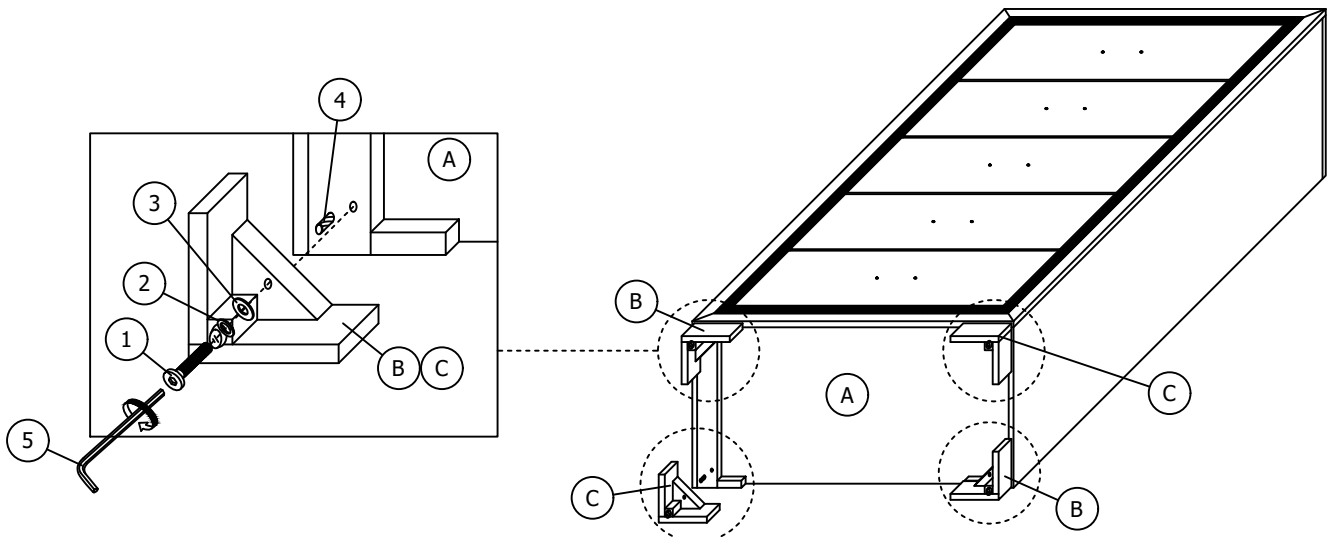
Thank you for purchasing this product. Please take time to read and follow the instructions below. Check that you have all parts and hardware before assembly. Parts apparently missing are often found in the packing materials. If you do not have all the parts listed, have your dealer contact us and they will be sent to you immediately.

⚠ It is recommended to install protective pads under all legs and supports to avoid damage or scratches when placing furniture on a wood floor or other hard surface, and to limit indentation and prevent discoloration if placing on carpet.

PARTS LIST			
ITEM	DESCRIPTION	SKETCH	QTY
A	CHEST		1 PC
B	LEG(i)		2 PCS
C	LEG(ii)		2 PCS

HARDWARES LIST			
ITEM	DESCRIPTION	SKETCH	QTY
1	JCBC SCREW (M6 x 40MM)		4 PCS
2	SPRING WASHER (M6 x 13MM)		4 PCS
3	FLAT WASHER (M6 x 19MM)		4 PCS
4	WOOD DOWEL (M8 x 30MM)		4 PCS
5	ALLEN KEY (M4 x 65MM)		1 PC
6	TIPPING RESTRAINT (Packed in SH2216BK-9 for assembly)		1 SET

STEP 1



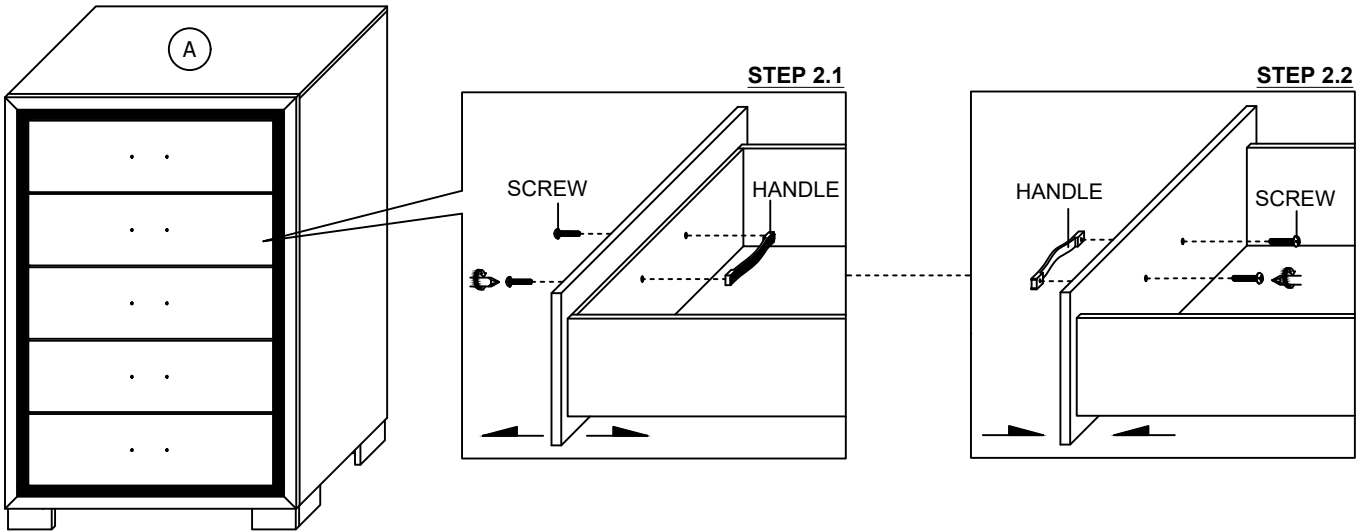
ASSEMBLY INSTRUCTION

SH2216BK-9 CHEST

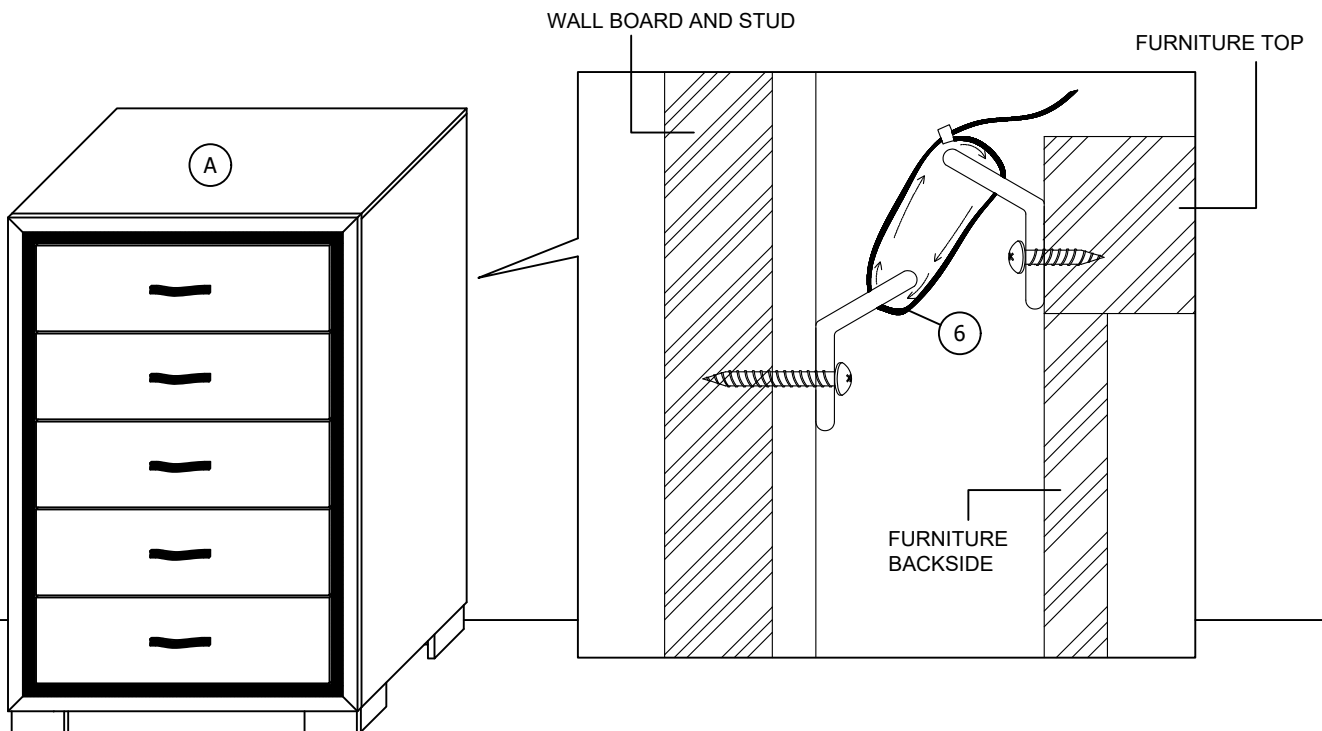
STEP 2

STEP 2.1 : Turn loose then take out the screws and handles pre-tighten at drawer .

STEP 2.2 : Exchange location of these two item then tighten .



STEP 3



NOTE

Tipping Restraint hardware kit is included with this product. Refer to installation instruction in the hardware pack.

*ANTI-TIPPING HARDWARE PACK IS AT THE BACK PANEL.

ASSEMBLY COMPLETED